



## Instruction Manual

Shaker, Rocking, 1 Tier, SHRK07AL1

Shaker, Rocking, 2 Tier, SHRK07AL2

Shaker, Rocking, SHRK04DG

Shaker, Waving, SHWV02AL

Shaker, Waving, SHWV02DG

EN - English	1
FR - Français	12
ES - Español	24
IT - Italiano	36
DE - Deutsch	48
PT - Português	60
NL - Nederlands	65
NO - Norsk	70
DA - Dansk	75
SV - Svenska	80
FI - Suomi	85
HU - Magyar	90
PL - Polski	95
CZ - Czech	100
KR - Korean	105
JP - Japanese	117



TABLE OF CONTENTS

Package contents . . . . .	1
Service information . . . . .	1
Installation . . . . .	2
Maintenance & servicing . . . . .	2
Intended use . . . . .	2
Environmental conditions . . . . .	2
Equipment disposal . . . . .	2
Safety instructions. . . . .	3
Standards & regulations. . . . .	3
Analog Rocking/Waving Shaker Specifications . . . . .	4
Analog Rocking/Waving Shaker Control Panel . . . . .	5
Analog Rocking/Waving Shaker Operating Instructions . . . . .	5
Digital Rocking Shaker Specifications . . . . .	6
Digital Waving Shaker Specifications . . . . .	7
Digital Rocking/Waving Shaker Control Panel . . . . .	8
Digital Rocking/Waving Shaker Operating Instructions . . . . .	9-10
Troubleshooting . . . . .	11

PACKAGE CONTENTS

- Rocking Shaker 1 Tier or
- Rocking Shaker 2 Tier or
- Waving Shaker Analog or
- Waving Shaker Digital
- Non-skid rubber mat
- Power Cord
- Tier kit (analog rocker 2 tier)
- Instruction manual
- Warranty card

If the troubleshooting section does not resolve or describe your problem, contact your authorized OHAUS service agent. For service assistance or technical support in the United States call toll-free 1-800-672-7722 ext. 7852 between 8:00 AM and 5:00 PM EST. An OHAUS product service specialist will be available to provide assistance. Outside the USA, please visit our web site, [www.ohaus.com](http://www.ohaus.com) to locate the Ohaus office nearest you.

Serial Number: \_\_\_\_\_

Date of Purchase: \_\_\_\_\_

Supplier: \_\_\_\_\_

## INSTALLATION

Upon receiving the Ohaus Rocking/Waving Shaker, check to ensure that no damage has occurred during shipment. It is important that any damage that occurred in transport is detected at the time of unpacking. If you do find such damage the carrier must be notified immediately.

After unpacking, place the Rocking/Waving Shaker on a level bench or table, away from explosive vapors. Ensure that the surface on which the unit is placed will withstand typical heat produced by the unit. Always place the unit on a sturdy work surface.

The Rocking/Waving Shaker is supplied with a power cord that is inserted into the IEC connector on the back of the unit first, then it can be plugged into a properly grounded outlet. The 120V unit plugs into a 120 volt, 50/60 Hz source. The 230V unit plugs into a 230 volt, 50/60 Hz source.

## MAINTENANCE & SERVICING

The Rocking/Waving Shaker is built for long, trouble-free, dependable service. No lubrication or other technical user maintenance is required. However at least every three (3) months you should:

- Unplug the unit.
- Remove any accumulated dirt from the base and tray.
- Check all accessible items to make sure they are properly tightened.

The unit should be given the care normally required for any electrical appliance. Avoid wetting or unnecessary exposure to fumes. Spills should be removed promptly. **DO NOT** use a cleaning agent or solvent on the front panel which is abrasive or harmful to plastics, nor one which is flammable. Always ensure the power is disconnected from the unit prior to any cleaning. If the unit ever requires service, contact your Ohaus representative.

## INTENDED USE

The Rocker/Waver is intended for general laboratory use.

## ENVIRONMENTAL CONDITIONS

**Operating Conditions:** Indoor use only.

\*For use in CO<sub>2</sub> environments, incubators or cold rooms.

\*Temperature: -10 to 60°C (14 to 140°F).

Humidity: maximum 80% relative humidity, non-condensing

Altitude: 0 to 6,562 ft (2000 M) above sea level

Mains supply voltage: Fluctuations are not to exceed 10 percent of the nominal supply voltage.

**Non-Operating Storage:**

\*Temperature: -20 to 65°C (-4 to 149°F)

Humidity: maximum 80% relative humidity, non-condensing

Installation Category II and Pollution Degree 2 in accordance with IEC 664.

**\*Avoid cold starts:** Unit is not designed to start after being in a cold room environment. Bring unit into cold room from a room temperature environment, operate and remove unit from cold room as soon as operation is complete.

## EQUIPMENT DISPOSAL



This equipment must not be disposed of with unsorted waste. It is your responsibility to correctly dispose of the equipment at life-cycle-end by handing it over to an authorized facility for separate collection and recycling. It is also your responsibility to decontaminate the equipment in case of biological, chemical and/or radiological contamination, so as to protect the persons involved in the disposal and recycling of the equipment from health hazards.

For more information about where you can drop off your waste of equipment, please contact your local dealer from whom you originally purchased this equipment. By doing so, you will help to conserve natural and environmental resources and you will ensure that your equipment is recycled in a manner that protects human health.

## SAFETY INSTRUCTIONS

Please read the entire instruction manual before operating the Rocking/Waving Shaker.



**WARNING! DO NOT** use the Rocking/Waving Shaker in a hazardous atmosphere or with hazardous materials for which the unit was not designed. Also, the user should be aware that the protection provided by the equipment may be impaired if used with accessories not provided or recommended by the manufacturer, or used in a manner not specified by the manufacturer.

Always operate unit on a level surface for best performance and maximum safety.

**DO NOT** lift unit by the tray.



**CAUTION!** To avoid electrical shock, completely cut off power to the unit by disconnecting the power cord from the unit or unplug from the wall outlet. Disconnect unit from the power supply prior to maintenance and servicing.

Spills should be removed promptly. Biohazard spills should be cleaned up using approved laboratory procedures. Solvent spills are a fire hazard. Stop the unit immediately, and **DO NOT** operate until clean up is complete and vapors have dissipated (motor brushes arc and may ignite flammable vapors). **DO NOT** immerse the unit for cleaning.

**DO NOT** operate the unit if it shows signs of electrical or mechanical damage.

The main supply cord provided with this product is rated to safely handle the products electrical load under the stated environmental conditions. **DO NOT** replace this cord with an inadequately rated main supply cord.







Earth Ground - Protective Conductor Terminal



Alternating Current

## STANDARDS & REGULATIONS

Compliance to the following standards and regulations is indicated by the corresponding mark on the product.

Mark	Standards and Regulations
	OHAUS Corporation declares that the SHRK, SHWV series shakers comply with directives 2011/65/EU, 2014/30/EU, 2014/35/EU and standards EN 50581, EN 61010-1, EN 61010-2-051, EN 61326-1. The full text of the EU declaration of conformity is available at the following internet address: <a href="http://www.ohaus.com/ce">www.ohaus.com/ce</a> .
	This product complies with directive 2012/19/EU. Please dispose of this product in accordance with local regulations at the collecting point specified for electrical and electronic equipment. For disposal instructions in Europe, refer to <a href="http://www.ohaus.com/weee">www.ohaus.com/weee</a> .
	EN 61326-1
	CAN/CSA C22.2 61010-1, CAN/CSA C22.2 61010-2-051 UL 61010-1, UL 61010-2-051

### Global Notice

Warning: This is a Class A product. In a domestic environment this product may cause radio interference in which case the user may be required to take adequate measures.

### Canada Notice

This Class A digital apparatus complies with Canadian ICES-003.

### FCC Notice

NOTE: This equipment has been tested and found to comply with the limits for a Class A digital device, pursuant to Part 15 of the FCC Rules. These limits are designed to provide reasonable protection against harmful interference when the equipment is operated in a commercial environment. This equipment generates, uses, and can radiate radio frequency energy and, if not installed and used in accordance with the instruction manual, may cause harmful interference to radio communications. Operation of this equipment in a residential area is likely to cause harmful interference in which case the user will be required to correct the interference at his own expense.

Changes or modifications not expressly approved by Ohaus Corporation could void the user's authority to operate the equipment.

## ANALOG ROCKING/WAVING SHAKER SPECIFICATIONS



### Overall dimensions (L x W x H):

Rocker: 16.8 x 11.0 x 5.5" (42.5 x 27.9 x 14.0cm)

Waver: 16.8 x 11.0 x 6.5" (42.5 x 27.9 x 16.5cm)

### Tray dimensions (L x W):

14 x 11" (35.5 x 27.9cm)

### Electrical (50/60 Hz):

Rocker: 120 volts, 15 watts  
230 volts, 15 watts

Waver: 120 volts, 25 watts  
230 volts, 25 watts

### Fuses:

5mm x 20mm, 5 amp quick acting

### Speed range:

1 to 75rpm\*

### Tilt angle:

Rocker: 0 to 15\*\*

Waver: 0 to 16\*\*

### Weight capacity:

Rocker: 16lbs (7.3kg)\*\*

Waver: 5lbs (2.3kg)\*\*

### Timer:

1 minute to 120 minutes

### Controls:

see page 5

### Ship weight:

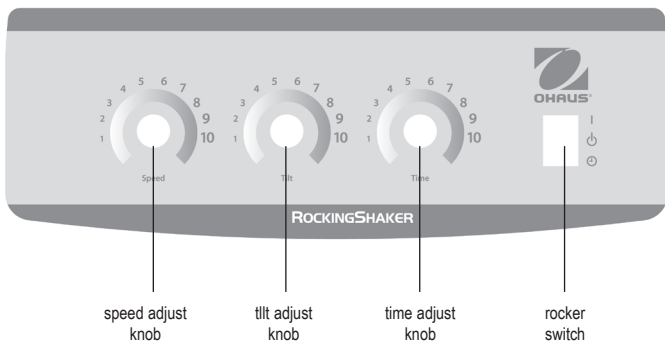
15.5lbs (7kg)

\* Maximum speed/tilt angle may vary with heavy or unbalanced loads.

\*\* Centered on tray.

## ANALOG ROCKING/WAVING SHAKER CONTROL PANEL

The front panel of the Analog Rocker contains all the controls and displays needed to operate the unit.



## ANALOG ROCKING/WAVING SHAKER OPERATING INSTRUCTIONS


### 1. Getting ready:

- Rocker switch should be in the center Standby position.
- Plug the power cord into a properly grounded outlet. Manually move the tray to a near horizontal "home" position before powering the unit.
- Position Speed and Tilt knobs between 2 and 3 on the dial.
- Push rocker switch to the "I" On position. The rocker will automatically level and begin running at a moderate speed and tilt.

### 2. Setting speed and tilt:

- Turn Speed and Tilt knobs to achieve the desired settings.

### 3. Setting time:

- To run in timed mode, set timer, speed, and  tilt knobs to the desired settings.
- Press the rocker switch down to the Time position and release.
- The unit will now run for the set time.
- To exit the Time mode, press the rocker switch up and return it to the center Standby position.

**NOTE:** After the timer is set, any time adjustments will not take affect. To reset time, exit Time mode (see step 3d above) and enter new time following the steps above.

### OPERATING TIPS:

Centering your sample and even weight distribution on the tray helps balance and stability.

## DIGITAL ROCKING SHAKER SPECIFICATIONS



<b>Overall dimensions (L x W x H):</b>	16.8 x 10.0 x 5.5" (42.5 x 25.4 x 140cm)
<b>Tray dimensions (L x W):</b>	12.75 x 10" (32.4 x 25.4cm)
<b>Electrical (50/60 Hz):</b>	120 volts: 25 watts 230 volts: 25 watts
<b>Fuses:</b>	5mm x 20mm, 5 amp quick acting
<b>Speed range:</b>	1 to 50rpm *
<b>Speed accuracy:</b>	±1rpm
<b>Tilt angle:</b>	0 to 15° *
<b>Timer:</b>	1 second to 9999 minutes (increased in 1 second increments)
<b>Maximum weight capacity:</b>	10lbs (4.5kg) **
<b>Controls:</b>	see page 8
<b>Tray material:</b>	aluminum
<b>Ship weight:</b>	15.5lbs (7kg)

\* Maximum speed/tilt angle may vary with heavy or unbalanced loads.

\*\* Centered on tray.

Digital Rocking Shaker with glassware and plasticware

## DIGITAL WAVING SHAKER SPECIFICATIONS



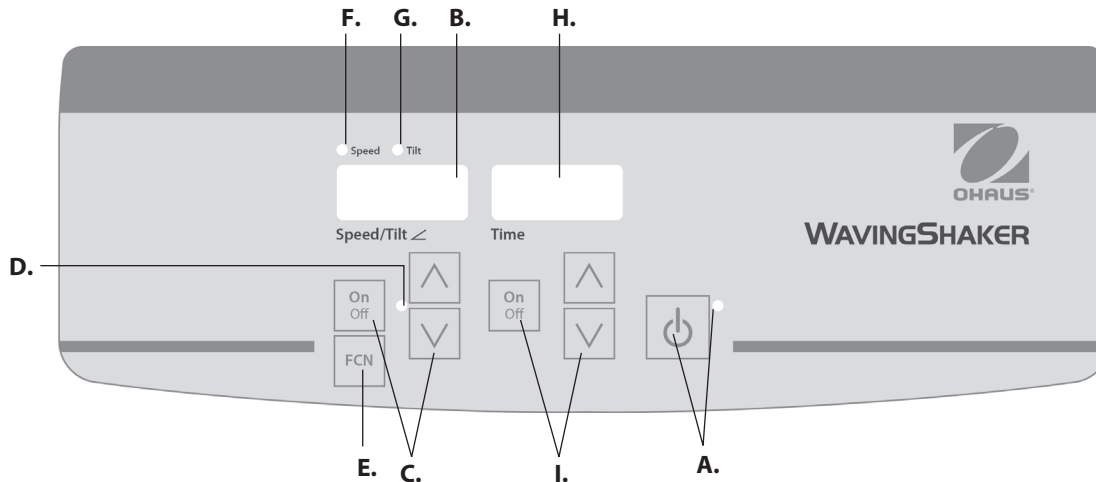
<b>Overall dimensions (L x W x H):</b>	17 x 11 x 6" (43.2 x 27.9 x 15.2cm)
<b>Tray dimensions (L x W):</b>	11.75 x 8.75" (29.9 x 22.2cm)
<b>Electrical (50/60 Hz):</b>	120 volts: 25 watts 230 volts: 25 watts
<b>Fuses:</b>	5mm x 20mm, 5 amp quick acting
<b>Speed range:</b>	1 to 30rpm *
<b>Speed accuracy:</b>	±1rpm
<b>Tilt angle:</b>	0 to 20° *
<b>Timer:</b>	1 second to 9999 minutes (increased in 1 second increments)
<b>Maximum weight capacity:</b>	5lbs (2.3kg) **
<b>Controls:</b>	see page 8
<b>Tray material:</b>	aluminum
<b>Ship weight:</b>	16lbs (7.3kg)

\* Maximum speed/tilt angle may vary with heavy or unbalanced loads.

\*\* Centered on tray.

Digital Waving Shaker





## DIGITAL ROCKING/WAVING SHAKER CONTROL PANEL

The front panel of the Rocking/Waving Shaker contains all the controls and displays needed to operate the unit.

**A. Standby button/standby indicator light:** The standby indicator light will illuminate when the unit is plugged in. The unit will be in standby mode. Press the standby button to activate the speed/tilt angle and time functions. The standby indicator light will shut off and the speed/tilt angle display and time display will illuminate. Press the standby button again and the unit will once again be in standby mode.

**B. Speed/tilt angle display:** Displays the speed and tilt angle of the unit. **C.** Up/down arrows for set-point control. **On/off** button starts/stops the rocking/waving function. **D.** The speed/tilt angle indicator light will be illuminated when the unit is rocking/waving.

**E. Function button:** Press to choose the function you are setting: speed or tilt.

**F. Speed indicator light:** Illuminates when the speed is displayed.

**G. Tilt indicator light:** Illuminates when the tilt angle is displayed.

**H. Time display:** Displays accumulated time (continuous mode) or how much time is remaining (timed mode). The display range is from 0 to 9,999 minutes in one (1) second increments. The display will indicate minutes and seconds until the timer reaches 99 minutes and 59 seconds (99:59), then the display will automatically display minutes up to 9,999.

**I.** Up/down arrows for set-point control. **On/off** button starts/stops the time function

## DIGITAL ROCKING/WAVING SHAKER OPERATING INSTRUCTIONS

The Rocking/Waving Shakers have been designed for the speed/tilt angle and time functions to work independently of one another. The speed/tilt angle can be reset without resetting the timer and the timer can be stopped and started without interrupting the rocking/waving function.

### 1. Getting ready:

- a. Plug the power cord into a properly grounded outlet. The standby indicator light will illuminate, verifying power to the unit. Manually move the tray to a near horizontal "home" position before powering unit.
- b. Press the standby button to move the unit from standby mode. The standby indicator light will turn off and the speed/tilt angle and time displays will illuminate, displaying the previously used settings.



### 2. Setting tilt angle:

Electronic tilt enables the user to adjust the angle of tray movement while the unit is rocking/waving or while the unit is stopped.

- a. Press the function button below the speed/tilt angle display until the tilt indicator light illuminates. You are now ready to set the tilt angle.
- b. Press the up/down arrows below the speed/tilt angle display until you reach the desired angle. When you release the button, the display will blink off and then on indicating the new set angle has been accepted. The unit will complete one rotation at the previously set angle, then smoothly change to the newly programmed angle. The tilt indicator light will flash until the transition to the new tilt angle is complete.

### 3. Setting speed:

- a. Press the function button below the speed/tilt angle display until the speed indicator light illuminates. You are now ready to set the speed.
- b. Press the up/down arrows below the speed/tilt angle display until you reach the desired speed. When you release the button, the display will blink off and then on indicating the new set speed has been accepted.

- c. Press the on/off button to start the rocking/waving function. The indicator light below the speed/tilt angle display will illuminate and blink until the set-point is reached. Once the set-point is reached the light will stop blinking and remain lit until rocking/waving has ceased.
- d. To stop the rocking/waving function, press the on/off button below the speed/tilt angle display. The unit will complete one full rotation then stop in the horizontal "home" position. The speed indicator light will flash until the rotation is complete. When the cycle is complete, the unit will automatically move to standby mode and the standby indicator light will illuminate.

### OPERATING TIPS

When the unit is running at slow speeds or high angles, making large changes to the tilt angle or speed may take several minutes to complete. The quickest way to make large changes is to stop the unit, change the speed or tilt angle, then restart by pressing the on/off button below the speed/tilt angle display.

4. **Setting time to zero (0:00) and continuous mode:** Accumulated time.
  - a. Press and hold the on/off button below the time display. After three (3) seconds the display will indicate the previous set time.
  - b. Simultaneously press both the up and down arrows, the display will indicate zero (0:00). The unit time is now set to zero (0:00) minutes. Alternately, you can use the up/down arrows to get to zero (0:00).
  - c. Press the on/off button below the time display. The display will indicate accumulated time. The up/down arrows will become inactive. To stop timer, press the on/off button again. **IMPORTANT:** This will **NOT** interrupt the rocking/waving function. Press the on/off button below the speed/tilt angle display to interrupt the rocking/waving function.
  - d. To reset, press and hold the on/off button below the time display. After three (3) seconds the display will indicate the previous set time, which was zero (0:00).

## DIGITAL ROCKING/WAVING SHAKER OPERATING INSTRUCTIONS CONT'D

### 5. **Setting timed mode:** Programmed time.

- a. Press the up/down arrows below the time display until you reach the desired time.
- b. Start this function by pressing the on/off button below the time display. The unit will run for the selected time, the up/down arrows will become inactive while the timer is running. The unit will stop rocking/waving when the time display reaches zero (0:00). Four (4) audible beeps will indicate the count down function is complete. The time display will default back to the set time. To repeat for the same time, simply press the on/off button again.
- c. To interrupt an automatic timing cycle before it is completed, press the on/off button below the time display. The time display will flash off and on to indicate the time function is on "hold". **IMPORTANT:** This will **NOT** interrupt the rocking/waving function. Press the on/off button below the speed/tilt angle display to interrupt the rocking/waving function. Restart the timer by pressing the on/off button below the time display. Unit will continue counting down to zero (0:00). When the display reaches zero (0:00), you will hear the four (4) audible beeps that indicate the count down function is complete and the rocking/waving function will cease.

### 6. **Turning unit off:**

- a. To turn the unit off, press the standby button. The speed/tilt angle and time displays will be blank, the standby indicator light will illuminate. The Rocking/Waving Shaker should be kept in standby mode when not in use. To completely cut off power to the unit, disconnect the power cord from the unit or unplug from the wall outlet.

### OPERATING TIPS

As a safety feature, a built-in program will shut power off to the motor if the tray is prevented from rocking/waving, or the unit is overloaded beyond its recommended weight capacity.

Built-in memory maintains the last used speed/tilt angle and time settings during a power interruption.

## TROUBLESHOOTING ANALOG ROCKER/WAVER

If the tray motion is obstructed or the unit is mechanically overloaded, the unit will beep and attempt to restore controlled rocking motion. If unit can not recover on its own, disconnect power cord, reduce load, speed or tilt setting and repeat run.

## TROUBLESHOOTING DIGITAL ROCKER/WAVER

Problem	Cause	Solution
E03	Mechanical obstruction Ceased motor Drive belt broken	<p>The E03 error can be addressed by the user. Press the standby button to clear this error. If the E03 error persists, along with grinding, knocking or rubbing noises, un-plug the unit and contact your Ohaus representative for repairs.</p> <p>In the event of an errant E03 error, such as someone inadvertently touching the platform tray while the unit is running, the unit will automatically go to the horizontal “home” position and restart. In the event of an obstruction left under the tray, which would cause the unit to continually restart, the unit will attempt to auto home and restart four (4) times and then stop running, displaying an E03 error. This error can be cleared by the user by pressing the standby button.</p>
E04	Maximum load exceeded	<p>The E04 error can be addressed by the user. Press the standby button to clear this error. Be sure the load is within the maximum load specification before restarting the unit. If the E04 code persists, un-plug the unit and contact your Ohaus representative for repairs.</p>



Manuel d'instruction

Shaker, Torsion, 1 Tier, SHRK07AL1

Shaker, Torsion, 2 Tier, SHRK07AL2

Shaker, Torsion, SHRK04DG

Shaker, Agitation, SHWV02AL

Shaker, Agitation, SHWV02DG

EN - English	1
FR - Français	12
ES - Español	24
IT - Italiano	36
DE - Deutsch	48
PT - Português	60
NL - Nederlands	65
NO - Norsk	70
DA - Dansk	75
SV - Svenska	80
FI - Suomi	85
HU - Magyar	90
PL - Polski	95
CZ - Czech	100
KR - Korean	105
JP - Japanese	117



## TABLE DES MATIERES

Contenu de l'emballage . . . . .	13
Renseignement sur le service . . . . .	13
Installation . . . . .	14
Maintenance & entretien . . . . .	14
Utilisation prévue . . . . .	14
Conditions environnementales . . . . .	14
Mise au rebut de l'équipement . . . . .	14
Instructions de sécurité . . . . .	15
Normes & Règlements . . . . .	15
Spécifications de balancement analogue/d'agitateur d'ondulation . . . . .	16
Panneau de contrôle de balancement analogue/d'agitateur d'ondulation . . . . .	17
Instructions d'opération de balancement analogue/d'agitateur d'ondulation . . . . .	17
Spécifications du balancement/d'agitateur numérique . . . . .	18
Spécifications du balancement/d'agitateur numérique . . . . .	19
Panneau de contrôle du balancement/d'agitateur numérique . . . . .	20
Instructions d'opération de balancement/d'agitateur numérique . . . . .	21-22
Dépannage . . . . .	23

### CONTENU DE L'EMBALLAGE

Agitateur de balancement 1 Niveau ou  
 agitateur de balancement Niveau 2 ou  
 agitateur de balancement analogue ou  
 agitateur de balancement analogue numérique  
 Mat en caoutchouc non glissant  
 Câble d'alimentation  
 Kit de niveau (balancement analogue Niveau 2)  
 Manuel d'instruction  
 Carte de garantie

### RENSEIGNEMENT SUR LE SERVICE

Si La section de dépannage ne résout ou ne décrit pas votre problème; contacter votre agent de service autorisé OHAUS. Pour le service d'assistance ou le support technique aux États-Unis, appeler gratuitement le 1-800-672-7722 ext. 7852 entre 8:00 et 17:00 H EST. Un spécialiste de produit OHAUS sera disponible pour vous fournir une assistance. Hors des USA, veuillez visiter notre site web à l'adresse [www.ohaus.com](http://www.ohaus.com) afin de localiser le bureau Ohaus le plus proche.

Numéro de série: \_\_\_\_\_

Date de l'achat: \_\_\_\_\_

Fournisseur: \_\_\_\_\_

## INSTALLATION

Après la réception du balancement d'ondulation/d'agitateur Ohaus, vérifier afin de s'assurer qu'il n'y a eu aucun dommage pendant l'expédition. Il est important que tout dommage survenant pendant le transport soit détecté pendant le déemballage. Si vous détectez de tels dommages, veuillez informer immédiatement l'entreprise.

Après l'ouverture, placer l'agitateur d'ondulation/balancement sur une table ou un banc à niveau, loin des vapeurs explosives. S'assurer que la surface sur laquelle l'unité est placée puisse supporter la chaleur typique produite par l'unité. Toujours placer l'unité sur une surface de travail solide.

Le balancement/l'agitateur d'ondulation est fournie avec un cordon d'alimentation insérée dans le connecteur IEC placé derrière l'unité, ensuite brancher l'unité dans une prise correctement mise à la terre. L'unité est branchée dans une source 120 volt, 50/60 Hz. L'unité de 230V est branchée dans une source 230 volt, 50/60 Hz.

## MAINTENANCE & ENTRETIEN

L'agitateur d'ondulation/le balancement est conçu pour un service de longue durée, libre et fiable. Aucune lubrification ou un entretien supplémentaire n'est nécessaire. Vous devez effectuer les opérations suivantes au moins trois (3) mois:

- Débrancher l'unité.
- Retirer tous les débris accumulés au niveau de la base et du bac.
- Vérifier tous les éléments accessibles afin de s'assurer qu'ils sont correctement serrés.

Cette unité doit être normalement entretenue comme tout autre appareil électrique. Ne jamais mouiller cet appareil ou l'exposer aux fumées. Les déversements doivent être immédiatement nettoyés. NE jamais utiliser un agent nettoyant ou le solvant sur le panneau avant car cela contient des matières abrasives, est dangereux pour le plastique. Ne pas également utiliser les produits inflammables. Toujours s'assurer que l'alimentation est déconnectée de l'unité avant tout nettoyage. Si l'unité nécessite un entretien, contacter un représentant Ohaus.

## UTILISATION PREVUE

L'agitateur/le balancement est conçu pour une utilisation dans le laboratoire général.

## CONDITIONS ENVIRONNEMENTALES

**Condition d'opération:** Utilisation intérieure uniquement.

\* Pour utilisation dans les environnements CO<sub>2</sub>, les incubateurs ou les chambres froides.

\* Température: -10 à 60°C (14 à 140°F)

Humidité: Humidité relative de 80% , non condensant

Altitude: 0 à 6,562 ft (2000 M) au dessus du niveau de la mer

Tension d'alimentation du secteur: Les fluctuations ne doivent pas dépasser 10 pour cent de la tension d'alimentation nominale.

**Stockage de non opération:**

\* Température: -20 à 65°C (-4 à 149°F)

Humidité: Humidité relative de 80%, non condensant

Catégorie d'installation de classe II et degré de pollution 2 conformément à IEC 664.

\* **Évitez les démarrages à froid:** L'unité n'est pas conçue pour démarrer après avoir été dans un environnement froid. Transporter l'unité d'une chambre froide dans un environnement de température de chambre, opérer et retirer l'unité de la chambre froide une fois l'opération terminée.

## MISE AU REBUT DE L'ÉQUIPEMENT

Cet équipement ne doit pas être mis au rebut avec les déchets non triés. C'est de votre



responsabilité d'éliminer correctement cet appareil à la fin du cycle de vie en le remettant dans un centre autorisé pour la collecte séparée et le recyclage. C'est également votre responsabilité de décontaminer l'équipement en cas de contamination biologique, chimique et/ou radiologique, afin de protéger les personnes impliquées dans le recyclage de l'équipement contre les risques de santé.

Pour des informations supplémentaires concernant l'endroit de décharge des déchets de votre équipement, veuillez contacter votre revendeur local auprès duquel vous avez acheté l'équipement. Ainsi, vous participerez à la conservation des ressources naturelles et environnements tout en vous assurant que votre appareil est recyclée en protégeant la santé.

## INSTRUCTIONS DE SECURITE

Veillez lire entièrement le manuel d'instruction avant d'opérer l'agitateur d'ondulation/  
Le balancement



**AVERTISSEMENT! NE PAS** utiliser le balancement/l'agitateur d'ondulation dans une atmosphère dangereux ou avec des matériels dangereux pour lesquels l'unité n'a pas été conçue. L'utilisateur doit également être conscient que la protection fournie par l'équipement pourrait être nulle en cas d'utilisation avec des accessoires non fournis ou non recommandés par le fabricant, ou utilisés de manière non spécifiée par le fabricant.

Toujours opérer l'unité sur une surface à niveau pour une meilleure performance et une sécurité maximale.

**NE JAMAIS** soulever l'unité avec le plateau.



**ATTENTION!** Pour éviter les électrocutions, couper complètement l'alimentation de l'unité en déconnectant le cordon d'alimentation de l'unité ou en débranchant la prise murale. Déconnecter l'unité de la source d'alimentation avant la maintenance et l'entretien.

Les déversements doivent être immédiatement nettoyés. Les déversements de risque biologique doivent être nettoyés suivant les procédures de laboratoire approuvées. Les déversements de solvant constituent un risque d'incendie. Arrêter l'unité immédiatement et **NE PAS** l'opérer tant que le nettoyage n'est pas terminé et les vapeurs entièrement dissipées (le moteur brosse l'arc et pourrait allumer des vapeurs inflammables).

**ÉVITEZ** d'immerger le produit lors du nettoyage.

**ÉVITEZ** d'opérer l'unité si elle présente des signes de dommages mécaniques ou électriques.

Le cordon d'alimentation principal fourni avec ce produit est prévu pour maintenir en toute sécurité la charge électrique des produits sous les conditions environnementales prévues. **Évitez** de remplacer ce cordon par un cordon d'alimentation différent.







Mise à la terre - Terminal du conducteur de protection

Courant alternatif

## NORMES & REGLEMENTS

La conformité aux normes et règlement suivants est indiquée par la marque correspondante sur le produit.

Marque	Normes et règlements
	OHAUS Corporation déclare que les agitateurs de série SHRK, SHWV sont conformes aux directives 2011/65/UE, 2014/30/UE, 2014/35/UE ainsi que les normes EN 50581, EN 61010-1, EN 61010-2-051, EN 61326-1. Le texte entier de la déclaration de conformité UE est disponible à l'adresse internet suivante: <a href="http://www.ohaus.com/ce">www.ohaus.com/ce</a> .
	Ce produit est conforme avec la directive 2012/19/UE. Veuillez éliminer ce produit conformément aux règlements locaux dans le point de collecte spécifié pour les équipements électriques et électroniques. Pour les instructions de mise au rebut en Europe, veuillez se référer à <a href="http://www.ohaus.com/weee">www.ohaus.com/weee</a> .
	EN 61326-1
	CAN/CSA C22.2 61010-1, CAN/CSA C22.2 61010-2-051 UL 61010-1, UL 61010-2-051

Notice globale

Avertissement: Ce produit est de classe A. Dans un environnement domestique, ce produit pourrait causer des interférences radios. Dans ce cas, l'utilisateur devrait prendre des mesures adéquates.

Notice concernant le Canada

Cet appareil numérique de classe A est conforme avec la norme canadienne ICES-003.

Notice FCC

**REMARQUE** Cet équipement a été testé et déclaré conforme aux limites pour appareils numériques de classe

A, selon la section 15 des règlements de la FCC. Ces limites sont conçues afin de fournir une protection raisonnable contre l'interférence dangereuse lorsque l'équipement est opéré dans un environnement commercial. Cet équipement, génère, utilise et pourrait radier l'énergie de fréquence radio, et si installé et utilisé en violation des instructions, pourrait causer une interférence dangereuse aux communications radio. L'opération de cet équipement dans une zone résidentielle pourrait causer des interférences dangereuses que l'utilisateur devrait réparer à ses propres frais.

Les changements ou modifications non approuvées par Ohaus Corporation pourraient annuler l'autorité de l'utilisateur à opérer cet équipement.



## SPECIFICATIONS DE BALANCEMENT ANALOGIE/D'AGITATEUR D'ONDULATION



### Dimensions générales (L x l x H):

Balancement: 16,8 x 11,0 x 5,5" (42,5 x 27,9 x 14,0cm)

Chancellement: 16,8 x 11,0 x 6,5" (42,5 x 27,9 x 16,5cm)

### Tray dimensions (L x W):

14 x 11" (35,5 x 27,9cm)

### Electrical (50/60 Hz):

Balancement: 120 volts, 15 watts

230 volts, 15 watts

Chancellement: 120 volts, 25 watts

230 volts, 25 watt

### Fuses:

5mm x 20mm, 5 amp, réaction rapide

### Speed range:

1 + 75rpm\*

### Tilt angle:

Balancement: 0 à 15°\*

Chancellement: 0 à 16°\*

### Weight capacity:

Balancement: 16lbs (7,3kg)\*\*

Chancellement: 5lbs (2,3kg)\*\*

### Timer:

1 minute à 120 minutes

### Controls:

Voir la page 17

### Ship weight:

15,5lbs (7kg)

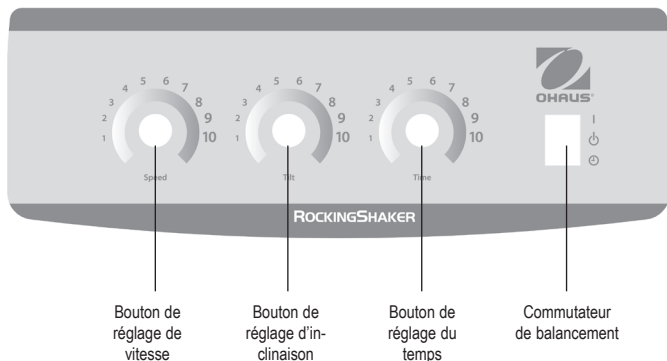
\* L'angle d'inclinaison/la vitesse maximale pourrait varier avec les charges lourdes ou non équilibrées.

\*\* Centré sur le plateau.

Agitateur de balancement

## PANNEAU DE CONTROLE DE BALANCEMENT ANALOGUE/ D'AGITATEUR D'ONDULATION

The front panel of the Analog Rocker contains all the controls and displays needed to operate the unit.



## INSTRUCTIONS D'OPERATION DE BALANCEMENT ANALOGUE/ D'AGITATEUR D'ONDULATION


### 1. Préparation:

- Le commutateur de balancement doit être dans la position de veille du centre.
- Brancher le cordon d'alimentation dans une prise correctement mise à la terre. Déplacer manuellement le plateau à proximité de la position d' « accueil » horizontal avant l'alimentation de l'unité.
- Positionner la vitesse et incliner les boutons entre 2 et 3 sur le cadran.
- Pousser le commutateur de balancement à la position « 1 ». Le balancement va automatiquement niveler et commencer à fonctionner à une vitesse modérée et s'incliner.

### 2. Réglage de la vitesse et inclinaison:

- Tourner la vitesse et les boutons d'inclinaison aux réglages souhaités.

### 3. Réglage du temps:

- Pour faire fonctionner en mode temporel, régler la minuterie, la vitesse et les boutons d'inclinaison aux réglages souhaités.
- Appuyer le commutateur de balancement vers le bas à la position  du temps et relâcher.
- L'unité va à présent fonctionner au temps réglé.
- Pour quitter le mode de temps, appuyer sur le commutateur de balancement vers le haut et le ramener au centre de la position de veille.

**REMARQUE:** Une fois la minuterie réglée, tout réglage de temps sera sans effet: Pour réinitialiser le temps, quitter le mode de temps (voir l'étape 3d ci-dessous) et entrer le nouveau temps suivant les étapes sus citées.

### ASTUCES D'OPERATION:

En contrant votre échantillon et en équilibrant la distribution du poids sur le plateau, la stabilité et l'équilibre sont garantis.

## SPECIFICATIONS DU BALANCEMENT/D'AGITATEUR NUMERIQUE



**Dimensions générales (L x l x H):** 16,8 x 10,0 x 5,5" (42,5 x 25,4 x 14,0cm)

**Dimensions du plateau (L x l x H):** 12,75 x 10" (32,4 x 25,4cm)

**Électrique (50/60 Hz):** 120 volts: 25 watts

230 volts: 25 watts

**Fusibles:** 5mm x 20mm, 5 amp, réaction rapide

**Plage de vitesse:** 1 à 50tpm \*

**Fiabilité de la vitesse:** ±1rpm

**Angle d'inclinaison:** 0 à 15° \*

**Minuterie:** 1 seconde à 9999 minutes  
(Augmente en plage de 1 seconde)

**Capacité du poids maximal:** 10lbs (4,5kg) \*\*

**Contrôles:** Voir la page 20

**Matériau du plateau:** aluminium

**Poids d'expédition:** 15,5lbs (7kg)

\* L'angle d'inclinaison/la vitesse maximale pourrait varier avec les charges lourdes ou non équilibrées.

\*\* Centré sur le plateau.

## SPECIFICATIONS DU BALANCEMENT D'AGITATEUR NUMERIQUE

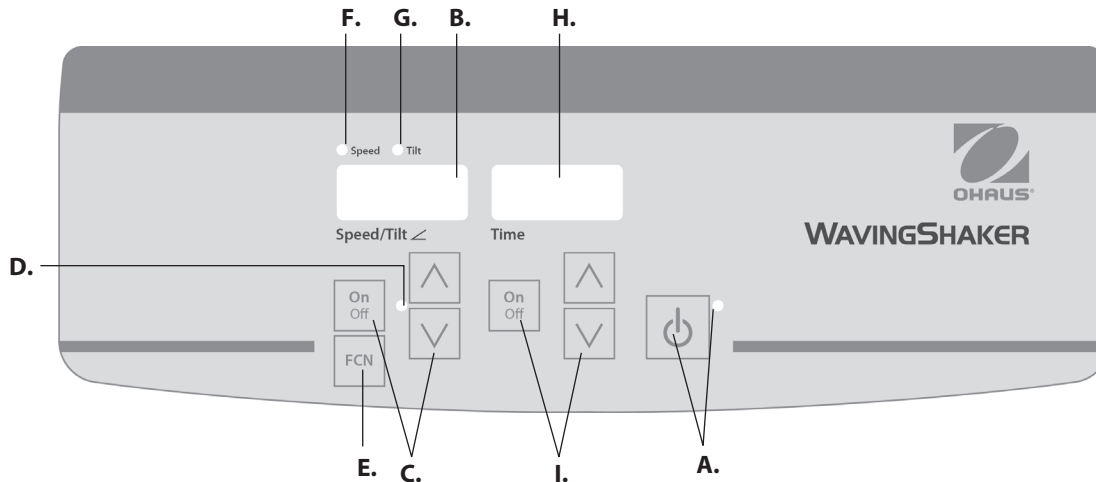


<b>Dimensions générales (L x l x H):</b>	17 x 11 x 6" (43,2 x 27,9 x 15,2cm)
<b>Dimensions du plateau (L x l x H):</b>	11,75 x 8,75" (29,9 x 22,2cm)
<b>Électrique (50/60 Hz):</b>	120 volts: 25 watts
	230 volts: 25 watts
<b>Fusibles:</b>	5mm x 20mm, 5 amp, réaction rapide
<b>Plage de vitesse:</b>	1 à 30rpm *
<b>Fiabilité de la vitesse:</b>	±1tpm
<b>Angle d'inclinaison:</b>	0 à 20° *
<b>Minuterie:</b>	1 seconde à 9999 minutes (Augmente en plage de 1 seconde)
<b>Capacité du poids maximal:</b>	5lbs (2,3kg) **
<b>Contrôles:</b>	Voir la page 20
<b>Matériel du plateau:</b>	aluminium
<b>Poids d'expédition:</b>	16lbs (7,3kg)

\* L'angle d'inclinaison/la vitesse maximale pourrait varier avec les charges lourdes ou non équilibrées.

\*\* Centré sur le plateau.

Agitateur de balancement numérique



## PANNEAU DE CONTROLE DU BALANCEMENT/D'AGITATEUR NUMERIQUE

Le panneau avant du balancement/d'agitateur contient tous les contrôles et affichages nécessaires pour opérer l'unité.

- A. Bouton de veille/lumière d'indicateur de veille:** La lumière d'indicateur de veille illuminera l'unité lorsqu'elle est branchée. L'unité est en mode de veille. Appuyer sur le bouton de veille pour activer la vitesse/l'angle d'inclinaison et les fonctions du temps. La lumière d'indication de veille s'éteint et l'affichage de la vitesse/l'angle d'inclinaison ainsi que l'affichage du temps s'allument. Appuyer sur le bouton de veille une fois de plus et l'unité entrera une fois de plus en mode de veille.
- B. Affichage de l'angle d'inclinaison/la vitesse:** Affiche la vitesse et l'angle d'inclinaison de l'unité. **C.** Les flèches haut/bas pour le contrôle du point de réglage. Bouton Allumer éteint, marche/arrêt, la fonction de basculement/d'ondulation. **D.** La lumière d'indicateur de vitesse/d'angle d'inclinaison s'allume lors du basculement/l'ondulation.

- E. Bouton de fonction:** Appuyer pour choisir la fonction que vous souhaitez régler: vitesse ou inclinaison.
- F. Lumière d'indicateur de vitesse:** S'allume lorsque la vitesse s'affiche.
- G. Lumière d'indicateur d'inclinaison:** S'allume lorsque l'angle d'inclinaison s'affiche.
- H. Affichage du temps:** Affiche le temps accumulé (mode continu) ou le temps restant (mode temporel). La plage d'affichage varie de 0 à 9,999 minutes par plage de (1) seconde. L'affichage indiquera les minutes et les secondes jusqu'à ce que la minuterie atteigne 99 minutes et 59 secondes (99:59), ensuite l'affichage va automatiquement afficher les minutes jusqu'à 9 999.
- I. Flèches haut/bas pour le contrôle du point de réglage.** Bouton de marche/arrêt, allumé/éteint, fonction du temps

## INSTRUCTIONS D'OPERATION DE BALANCEMENT/D'AGITATEUR NUMERIQUE

Les agitateurs de balancement/d'ondulation ont été conçus pour l'angle d'inclinaison/la vitesse et les fonctions de temps pour fonctionner indépendamment. La vitesse/l'angle d'inclinaison pourrait être réinitialisé sans le réglage à nouveau de la minuterie et la minuterie pourrait être arrêtée et démarrée sans interruption de la fonction ondulation/balancement.

### 1. Préparation:

- a. Brancher le cordon d'alimentation dans une prise correctement mise à la terre. La lumière d'indicateur de veille s'allume, vérifiant ainsi l'alimentation de l'unité. Déplacer manuellement le plateau à proximité de la position d' « accueil » horizontal avant l'alimentation de l'unité.
- b. Appuyer sur le bouton de veille pour déplacer l'unité du mode de veille. La lumière d'indication de veille s'éteint et l'affichage de la vitesse/l'angle d'inclinaison ainsi que l'affichage du temps s'allument.



### 2. Réglage de l'angle d'inclinaison:

L'inclinaison électronique permet aux utilisateurs de régler l'angle du mouvement du plateau pendant que l'unité est en rotation/basculé ou pendant que l'unité est arrêtée.

- a. Appuyer sur le bouton de fonction situé en bas de l'angle d'inclinaison/de la vitesse jusqu'à ce que la lumière d'indicateur d'inclinaison brille. Vous pouvez à présent régler l'angle d'inclinaison.
- b. Appuyer sur les flèches haut/bas en dessous de l'affichage d'angle d'inclinaison/de vitesse jusqu'à ce que vous atteigniez l'angle souhaité. Lorsque vous relâchez le bouton, l'affichage s'éteindra et se rallumera afin d'indiquer que le nouvel angle réglé a été accepté. L'unité effectuera une rotation complète à l'angle précédemment réglé, ensuite changera doucement vers l'angle nouvellement programmé. La lumière d'indicateur d'inclinaison clignotera jusqu'à ce que la transition vers le nouvel angle d'inclinaison soit terminée.

### 3. Réglage de vitesse:

- a. Appuyer sur le bouton de fonction situé en bas de l'angle d'inclinaison/de la vitesse jusqu'à ce que la lumière d'indicateur de vitesse brille. Vous pouvez à présent régler la vitesse.
- b. Appuyer sur les flèches haut/bas en dessous de l'affichage d'angle d'inclinaison/de vitesse jusqu'à ce que vous atteigniez la vitesse souhaitée. Lorsque vous relâchez le bouton, l'affichage s'éteindra et se rallumera afin d'indiquer que la nouvelle vitesse réglée a été acceptée.

- c. Appuyer sur le bouton marche/arrêt pour démarrer la fonction d'ondulation/de basculement. La lumière d'indicateur en dessous de l'angle d'inclinaison/de vitesse s'allumera et clignotera jusqu'à ce que le point réglé soit atteint. Une fois le point de réglage atteint, la lumière arrête de clignoter et reste allumée jusqu'à ce que le basculement/l'ondulation s'arrête.
- d. Pour arrêter la fonction d'ondulation/de basculement, appuyer sur le bouton marche/arrêt situé en bas de l'affichage de l'angle d'inclinaison/vitesse. L'unité effectuera une rotation complète et s'arrêtera dans la position d' « accueil » horizontal. La lumière d'indicateur de vitesse clignotera jusqu'à ce que la rotation se termine. Lorsque le cycle est terminé, l'unité se déplacera automatiquement en mode de veille et la lumière d'indicateur de veille s'allumera.

### ASTUCES D'OPERATION

Lorsque l'unité fonctionne à des faibles vitesses ou à des angles élevés, les importantes modifications sur l'angle d'inclinaison ou la vitesse pourraient prendre plusieurs minutes. Le moyen le plus rapide pour effectuer les importantes modifications est d'arrêter l'unité, changer la vitesse ou l'angle d'inclinaison, ensuite démarrer à nouveau en appuyant sur le bouton de marche/arrêt situé en bas de l'affichage d'angle d'inclinaison/de vitesse.

### 4. Réglage du temps à zéro (0:00) et mode continu: Temps accumulé.

- a. Appuyer et maintenir le bouton de marche/arrêt situé en bas de l'affichage du temps. Après trois (3) secondes, l'affichage indiquera le temps de réglage précédent.
- b. Appuyer simultanément les flèches haut et bas, l'affichage indiquera zéro (0:00). L'unité du temps est à présent réglé sur zéro (0:00) minutes. Alternativement, vous pouvez utiliser les flèches haut/bas pour rentrer à zéro (0:00).
- c. Appuyer sur le bouton de marche/arrêt situé en bas de l'affichage du temps. L'affichage indiquera le temps accumulé. Les flèches haut/bas deviendront inactives. Pour arrêter la minuterie, appuyer sur le bouton marche/arrêt une fois de plus. **IMPORTANT:** Cette action NE peut pas interrompre la fonction d'ondulation/de balancement. Appuyer sur le bouton de marche/arrêt situé en bas de l'affichage de l'angle d'inclinaison/de vitesse pour interrompre la fonction d'ondulation/de balancement.
- d. Pour réinitialiser, appuyer et maintenir le bouton de marche/arrêt situé en bas de l'affichage du temps. Au bout de trois (3) secondes, l'affichage indiquera le temps de réglage précédent, qui était à zéro (0:00).

## INSTRUCTIONS D'OPERATION DE BALANCEMENT/D'AGITATEUR NUMERIQUE (SUITE)

### 5. Mode de réglage du temps: Temps programmé.

- a. Appuyer sur les flèches haut/bas en dessous de l'affichage du temps jusqu'à ce que vous atteigniez le temps souhaité.
- b. Démarrer cette fonction en appuyant sur le bouton marche/arrêt en dessous de l'affichage du temps. L'unité fonctionnera au temps sélectionné, les flèche haut/bas deviendront inactives pendant que la minuterie est en marche. L'unité arrêtera l'ondulation/le balancement lorsque l'affichage du temps atteint zéro (0:00). Quatre (4) bips audibles indiqueront que la fonction de décompte est terminée. L'affichage du temps rentrera au réglage du temps par défaut. Pour répéter le même temps, appuyer simplement sur le bouton de marche/arrêt une fois de plus.
- c. Pour interrompre un cycle temporel automatique avant sa fin, appuyer sur le bouton de marche/arrêt en dessous de l'affichage du temps. L'affichage du temps s'allumera et s'éteindra pour indiquer que la fonction du temps est en mode « maintien ». IMPORTANT: Cette action NE peut pas interrompre la fonction d'ondulation/de balancement. Appuyer sur le bouton de marche/arrêt situé en bas de l'affichage de l'angle d'inclinaison/de vitesse pour interrompre la fonction d'ondulation/de balancement. B. Redémarrer cette minuterie en appuyant sur le bouton marche/arrêt en dessous de l'affichage du temps. L'unité continuera le décompte jusqu'à zéro (0:00). Lorsque l'affichage atteint zéro (0:00), vous entendrez quatre (4) bips audibles indiquant que la fonction de décompte est terminée et la fonction d'ondulation/de balancement s'arrêtera.

### 6. Arrêt de l'unité:

- a. Pour arrêter l'unité, appuyer sur le bouton de veille. L'angle d'inclinaison/la vitesse et l'affichage du temps sont vides, la lumière d'indicateur de veille brille. Cet appareil doit être maintenu en mode de veille lorsqu'il n'est pas utilisé. Pour couper complètement l'alimentation de l'unité, déconnecter le cordon d'alimentation de l'unité ou débrancher la prise murale.

### ASTUCES D'OPERATION

En tant que fonctionnalité de sécurité, un programme intégré coupera l'alimentation au moteur si le plateau est incapable d'assurer l'ondulation/le balancement, ou lorsque l'unité est surchargé au delà de sa capacité pondérale recommandée.

La mémoire intégrée maintient l'angle d'inclinaison/la vitesse utilisée la dernière fois et les réglages du temps pendant une interruption de puissance.

## DEPANNAGE DE L'AGITATEUR/LE BALANCEMENT ANALOGUE

Si le mouvement du plateau est bloqué ou si l'unité est mécaniquement surchargée, l'unité bipera et tentera de restaurer le mouvement de balancement contrôlé. Si l'unité est incapable de s'auto rétablir, déconnecter le câble d'alimentation, réduire la charge, la vitesse ou le réglage d'inclinaison et répéter la marche.

## DEPANNAGE DE L'AGITATEUR/LE BALANCEMENT NUMERIQUE

Problème	Cause	Solution
E03	Obstruction mécanique Moteur arrêté Ceinture cassée	<p>L'erreur E03 pourrait être résolue par l'utilisateur. Appuyer sur le bouton de veille pour supprimer cette erreur. Si l'erreur E03 persiste, notamment avec le broyage, bruits de frappe ou de friction, débrancher l'unité et contacter les représentants Ohaus pour les réparations.</p> <p>En cas d'erreur E03, notamment en cas de contact du plateau de la plateforme par inadvertance pendant que l'unité fonctionne, l'unité entrera automatiquement en position d' « accueil » horizontal » et redémarrera. En cas d'obstruction laissée derrière le tableau, pouvant causer le redémarrage continu, l'unité tentera d'entrer en mode auto accueil et redémarrera quatre (4) fois, ensuite arrêtera de fonctionner, affichant une erreur E03. Cette erreur pourrait être supprimée par l'utilisateur en appuyant sur le bouton de veille.</p>
E04	Charge maximale dépassée	<p>L'erreur E04 pourrait être résolue par l'utilisateur. Appuyer sur le bouton de veille pour supprimer cette erreur. S'assurer que la charge est dans les spécifications de charge maximale avant le redémarrage de l'unité. Si le code E04 persiste, débrancher l'unité et contacter votre représentant Ohaus pour les réparations.</p>





Manual de instrucciones

Agitador balanc., 1 nivel, SHRK07AL1

Agitador bal., 2 niveles, SHRK07AL2

Agitador de balanceo, SHRK04DG

Agitador de ondas, SHWV02AL

Agitador de ondas, SHWV02DG

EN - English	1
FR - Français	12
ES - Español	24
IT - Italiano	36
DE - Deutsch	48
PT - Português	60
NL - Nederlands	65
NO - Norsk	70
DA - Dansk	75
SV - Svenska	80
FI - Suomi	85
HU - Magyar	90
PL - Polski	95
CZ - Czech	100
KR - Korean	105
JP - Japanese	117



## TABLE DES MATIERES

Contenido del paquete . . . . .	25
Información de servicio . . . . .	25
Instalación . . . . .	26
Mantenimiento y servicio . . . . .	26
Uso previsto . . . . .	26
Condiciones ambientales . . . . .	26
Eliminación del equipo . . . . .	26
Instrucciones de seguridad . . . . .	27
Estándares y reglamentos . . . . .	27
Especificaciones del Agitador Analógico Basculante/Vaivén . . . . .	28
Panel de control del Agitador Analógico Basculante/Vaivén . . . . .	29
Instrucciones de funcionamiento del Agitador Analógico Basculante/Vaivén . . . . .	29
Especificaciones del Agitador Digital Basculante . . . . .	30
Especificaciones del Agitador Digital de Vaivén . . . . .	31
Panel de control del Agitador Digital Basculante/Vaivén . . . . .	32
Instrucciones de funcionamiento del Agitador Digital Basculante/Vaivén . . . . .	33-34
Solución de problemas . . . . .	35

## CONTENIDO DEL PAQUETE

Agitador Basculante 1 nivel, o  
 Agitador Basculante 2 niveles, o  
 Agitador Analógico de Vaivén, o  
 Agitador Digital de Vaivén  
 Alfombrilla de goma antideslizante  
 Cable de alimentación  
 Kit de nivel (basculante analógico 2 niveles)  
 Manual de instrucciones  
 Tarjeta de garantía

## INFORMACIÓN DE SERVICIO

Si la sección de solución de problemas no resuelve o describe su problema, póngase en contacto con su agente de servicio autorizado de OHAUS. Para asistencia de servicio o soporte técnico en los Estados Unidos llamar al número gratuito 1-800-672-7722 ext. 7852, de 08:00 a.m. a 05:00 p.m. EST. Un especialista de servicio para productos Ohaus estará disponible para brindarle asistencia. Fuera de Estados Unidos visite nuestro sitio web [www.ohaus.com](http://www.ohaus.com) para localizar la oficina de Ohaus más cercana a usted.

Número de serie: \_\_\_\_\_

Fecha de compra: \_\_\_\_\_

Proveedor: \_\_\_\_\_

## INSTALACIÓN

Cuando reciba el Agitador Basculante/Vaivén Ohaus, compruebe que no haya sufrido daños durante el transporte. Es importante que cualquier daño que haya podido producirse durante el transporte sea detectado al desembalarlo. Si encuentra cualquier daño deberá notificarlo inmediatamente al transportista.

Después de desembalarlo, coloque el Agitador Basculante/Vaivén en una plataforma o mesa nivelada, alejado de vapores explosivos. Asegúrese de que la superficie sobre la que se coloca la unidad podrá soportar el calor típico producido por la unidad. Coloque siempre la unidad sobre una superficie de trabajo resistente.

El Agitador Basculante/Vaivén se suministra con un cable de alimentación; este se inserta primero en el conector IEC en la parte posterior de la unidad y, a continuación, puede ser conectado a una toma de tierra adecuada. El modelo de 120 V se conecta a una fuente de 120 voltios, 50/60 Hz. El modelo de 230V se conecta a una fuente de 230 voltios, 50/60 Hz.

## MANTENIMIENTO Y SERVICIO

El Agitador Basculante/Vaivén está construido para proporcionar un servicio de larga duración, fiable y sin problemas. No requiere lubricación u otro tipo de mantenimiento técnico por parte del usuario. Sin embargo, al menos cada tres (3) meses, deberá:

- Desenchufar la unidad.
- Eliminar la suciedad acumulada en la base y la bandeja.
- Comprobar todos los elementos accesibles para asegurarse de que estén ajustados correctamente.

La unidad debe recibir el cuidado que se requiere normalmente para cualquier aparato eléctrico. Evite la humedad y la exposición innecesaria a gases y humos. Los derrames deben ser eliminados de forma inmediata. NO utilice productos o disolventes abrasivos, inflamables o que puedan dañar el plástico en la limpieza del panel frontal. Asegúrese siempre de que la unidad esté desconectada del suministro antes de realizar cualquier operación de limpieza. Si la unidad requiere servicio, póngase en contacto con su representante de Ohaus.

## USO PREVISTO

El Agitador Basculante/Vaivén está destinado al uso general en laboratorio.

## CONDICIONES AMBIENTALES

**Condiciones de funcionamiento:** solo para uso en interiores.

\* Para uso en entornos de CO<sub>2</sub>, incubadoras o cámaras frigoríficas.

\* Temperatura: -10 a 60 °C (14 a 140 °F).

Humedad: humedad relativa máxima de 80 % sin condensación

Altitud: 0 a 6562 pies (2000 m) sobre el nivel del mar

Voltaje de alimentación: las fluctuaciones no deben exceder 10 por ciento de la tensión de alimentación nominal.

**Almacenamiento no en funcionamiento:**

\* Temperatura: -20 a 65 °C (-4 a 149 °F)

Humedad: Humedad: humedad relativa máxima de 80 % sin condensación

Categoría de instalación II y Grado de contaminación 2 según IEC 664.

\* **Evite los arranques en frío:** la unidad no está diseñada para ser activada después de haber estado en un ambiente frío. Pase la unidad de un entorno con temperatura ambiente a una sala fría, opere y retire la unidad del entorno frío tan pronto como se haya completado la operación.

## ELIMINACIÓN DEL EQUIPO

Este equipo no debe eliminarse con la basura doméstica. Es responsabilidad del usuario eliminar correctamente los equipos al final de su ciclo de vida entregándolo a una instalación autorizada para la recogida selectiva y el reciclaje. También es su responsabilidad descontaminar el equipo en caso de contaminación biológica, química y/o radiológica, con el fin de proteger de los peligros para la salud a las personas involucradas en la eliminación y reciclaje de los equipos.



Para obtener más información sobre dónde puede dejar estos residuos, póngase en contacto con su distribuidor local donde adquirió originalmente este equipo. Así, ayudará a conservar los recursos naturales y ambientales, y se asegurará de que su equipo se recicle de manera no nociva para la salud y el medio ambiente.

## INSTRUCCIONES DE SEGURIDAD

Lea todo el manual de instrucciones antes de operar el Agitador Basculante/Vaivén.



**¡ADVERTENCIA! NO** utilice el Agitador Basculante/Vaivén en una atmósfera peligrosa o con materiales peligrosos para los que la unidad no ha sido diseñada. Además, el usuario debe ser consciente de que la protección proporcionada por el equipo puede verse afectada si se utiliza con accesorios no suministrados o no recomendados por el fabricante, o si se utiliza en una manera no especificada por el fabricante.

Utilice siempre la unidad en una superficie plana para asegurar un mejor rendimiento y la máxima seguridad.

**NO** levante la unidad por medio de la bandeja.



**¡PRECAUCIÓN!** Para evitar descargas eléctricas, corte completamente el suministro a la unidad desconectando el cable de alimentación de la unidad, o desenchúfelo de la toma de corriente. Desconecte la unidad de la fuente de alimentación antes de su mantenimiento y servicio.

Los derrames deben ser eliminados de forma inmediata. Los derrames biocontaminantes deben limpiarse usando procedimientos de laboratorio aprobados. Los derrames de disolventes son un peligro de incendio. Detenga la unidad inmediatamente, y NO la ponga en funcionamiento hasta que se haya completado la limpieza y se hayan disipado los vapores (las escobillas del motor giran y podrían encender los vapores inflamables).

**NO** sumerja la unidad para su limpieza.

**NO** ponga en funcionamiento la unidad si muestra signos de daños eléctricos o mecánicos.

El cable de alimentación suministrado con este producto está preparado para manejar con seguridad la carga eléctrica del producto bajo las condiciones ambientales indicadas. NO sustituya este cable con un cable de alimentación con un voltaje diferente.







Conexión a tierra, terminal conductor de protección



Corriente alterna

## ESTÁNDARES Y REGLAMENTOS

El cumplimiento con los siguientes estándares y reglamentos se indica por la marca correspondiente en el producto.

Marca	Estándares y reglamentos
	Ohaus Corporation declara que los agitadores de la serie SHRK, SHWV cumplen con las directivas 2011/65/EU, 2014/30/EU, 2014/35/EU y las normas EN 50581, EN 61010-1, EN61010-2-051, EN 61326-1. El texto completo de la declaración de conformidad de la UE está disponible en la siguiente dirección de internet: <a href="http://www.ohaus.com/ce">www.ohaus.com/ce</a> .
	Este producto cumple con la Directiva 2012/19/UE. Elimine este producto, según las disposiciones locales, mediante el sistema de recogida selectiva de aparatos eléctricos y electrónicos. Para consultar las instrucciones de eliminación en Europa, visite <a href="http://www.ohaus.com/weee">www.ohaus.com/weee</a> .
	EN 61326-1
	CAN/CSA C22.2 61010-1, CAN/CSA C22.2 61010-2-051 UL 61010-1, UL 61010-2-051

Aviso Industria global

Advertencia: Este es un producto de clase A. En un entorno doméstico, este producto puede causar radiointerferencias, en cuyo caso puede ser necesario que el usuario tome las medidas adecuadas.

Aviso industria canadiense

Este dispositivo digital de Clase A cumple con la normativa canadiense ICES-003.

Aviso FCC

NOTA: Este equipo ha sido sometido a las pruebas pertinentes y cumple con los límites establecidos para un dispositivo digital de clase A, conforme al apartado 15 de las reglas de la FCC. Estos límites están diseñados para proporcionar una protección razonable contra interferencias perjudiciales, cuando el equipo funciona en un entorno comercial. Este equipo genera, utiliza y puede emitir energía de radio frecuencia y si no se instala y se utiliza conforme a las instrucciones, puede provocar interferencias perjudiciales para las comunicaciones por radio. El funcionamiento de este equipo en un área residencial puede causar interferencias perjudiciales, en cuyo caso los usuarios tendrán que corregir la interferencia a su propio coste.

Cualquier cambio o modificación no aprobados expresamente por Ohaus Corporation podría anular la autorización del usuario para utilizar este equipo.

## ESPECIFICACIONES DEL AGITADOR ANALÓGICO BASCULANTE/VAIVÉN



Agitador basculante

### Dimensiones (L. x An. x Al.):

Basculante: 16,8 x 11,0 x 5,5" (42,5 x 27,9 x 14,0cm)

Vaivén: 16,8 x 11,0 x 6,5" (42,5 x 27,9 x 16,5cm)

### Dimensiones de la plataforma (L. x An.):

14 x 11" (35,5 x 27,9cm)

### Alimentación (50/60 Hz):

Basculante: 120 voltios, 15 vatios

230 voltios, 15 vatios

Vaivén: 120 voltios, 25 vatios

230 voltios, 25 vatios

### Fusibles:

5 mm x 20 mm, 5 amperios de acción rápida

### Intervalo de velocidades:

1 a 75rpm\*

### Ángulo de inclinación:

Basculante: 0 a 15°\*

Vaivén: 0 a 16°\*

### Capacidad de peso:

Basculante: 16lbs (7,3kg)\*\*

Vaivén: 5lbs (2,3kg)\*\*

### Temporizador:

1 minuto a 120 minutos

### Controles:

ver página 29

### Peso de envío:

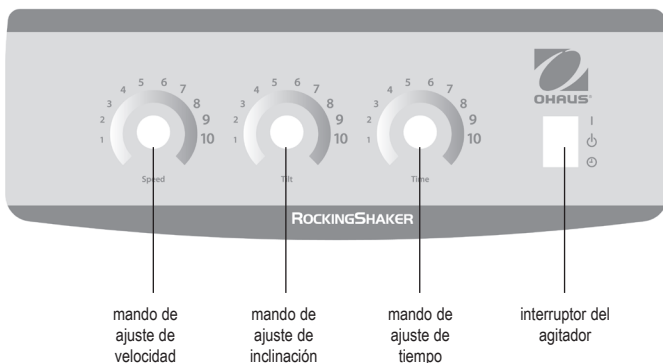
15,5lbs (7kg)

\* La velocidad/ángulo de inclinación máximos pueden variar con cargas pesadas o desequilibradas.

\*\* Centrado en la bandeja.

## PANEL DE CONTROL DEL AGITADOR ANALÓGICO BASCULANTE/VAIVÉN

El panel frontal del Agitador basculante analógico contiene todos los controles y pantallas necesarios para operar la unidad.



mando de  
ajuste de  
velocidad

mando de  
ajuste de  
inclinación

mando de  
ajuste de  
tiempo

interruptor del  
agitador

## INSTRUCCIONES DE FUNCIONAMIENTO DEL AGITADOR ANALÓGICO BASCULANTE/VAIVÉN

### 1. Preparación:

- El interruptor del agitador basculante debe estar en la posición central de Standby.
- Enchufe el cable de alimentación a una toma de corriente conectada a tierra. Antes de encender la unidad, mueva manualmente la bandeja a una posición inicial casi horizontal.
- Coloque los mandos de velocidad e inclinación entre 2 y 3 en el dial.
- Pulse el interruptor del agitador basculante a la posición de encendido «I». El agitador se nivelará automáticamente y comenzará a funcionar a una velocidad moderada y a inclinarse.

### 2. Configuración de la velocidad y la inclinación:

- Gire los mandos de velocidad e inclinación para lograr la configuración deseada.

### 3. Configuración de tiempo:

- Para operar en modo temporizado, ajustar el programador y los mandos de velocidad e inclinación a la configuración deseada.
- Presione el interruptor del agitador hacia la posición 'Time' y suéltelo. ⏴
- La unidad se activará durante el tiempo establecido.
- Para salir del modo tiempo, presione el interruptor hacia arriba y llévalo a la posición central de Standby.

**NOTA:** Una vez que el temporizador está programado, no tendrá efecto ningún ajuste de tiempo. Para restablecer el tiempo, salga del modo tiempo (ver paso anterior 3d) e introduzca la configuración nueva siguiendo los pasos anteriores.

### CONSEJOS PARA LA OPERACIÓN:

El centrado de la muestra y la distribución uniforme del peso en la bandeja ayudan al equilibrio y la estabilidad.

## ESPECIFICACIONES DEL AGITADOR DIGITAL BASCULANTE



<b>Dimensiones (L. x An. x Al.):</b>	16,8 x 10,0 x 5,5" (42,5 x 25,4 x 14,0cm)
<b>Dimensiones de la bandeja (L. x An.):</b>	12,75 x 10" (32,4 x 25,4cm)
<b>Alimentación (50/60 Hz):</b>	120 voltios: 25 vatios
	230 voltios: 25 vatios
<b>Fusibles:</b>	5 mm x 20 mm, 5 amperios de acción rápida
<b>Intervalo de velocidades:</b>	1 a 50rpm *
<b>Precisión de velocidad:</b>	±1rpm
<b>Ángulo de inclinación:</b>	0 a 15° *
<b>Temporizador:</b>	1 segundo a 9999 minutos (aumento en incrementos de 1)
<b>Capacidad máxima de peso:</b>	10lbs (4,5kg) **
<b>Controles:</b>	ver página 32
<b>Material de la bandeja:</b>	aluminio
<b>Peso de envío:</b>	15,5lbs (7kg)

\* La velocidad/ángulo de inclinación máximos pueden variar con cargas pesadas o desequilibradas.

\*\* Centrado en la bandeja.

## ESPECIFICACIONES DEL AGITADOR DIGITAL DE VAIVÉN



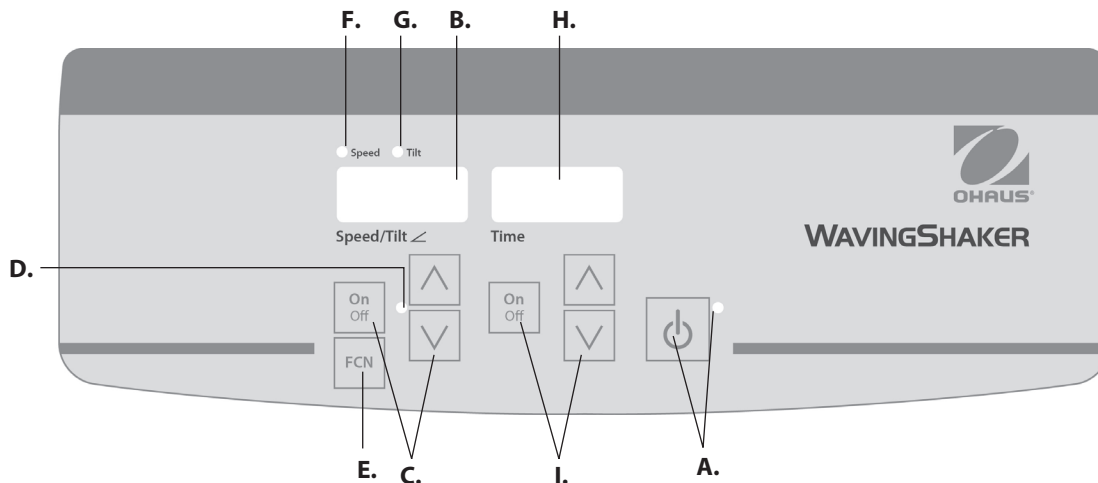
<b>Dimensiones (L. x An. x Al.):</b>	17 x 11 x 6" (43,2 x 27,9 x 15,2cm)
<b>Dimensiones de la bandeja (L. x An.):</b>	11,75 x 8,75" (29,9 x 22,2cm)
<b>Alimentación (50/60 Hz):</b>	120 voltios: 25 vatios
	230 voltios: 25 vatios
<b>Fusibles:</b>	5 mm x 20 mm, 5 amperios de acción rápida
<b>Intervalo de velocidades:</b>	1 a 30rpm *
<b>Precisión de velocidad:</b>	±1rpm
<b>Ángulo de inclinación:</b>	0 a 20° *
<b>Temporizador:</b>	1 segundo a 9999 minutos (aumento en incrementos de 1)
<b>Capacidad máxima de peso:</b>	5lbs (2,3kg) **
<b>Controles:</b>	ver página 32
<b>Material de la bandeja:</b>	aluminio
<b>Peso de envío:</b>	16lbs (7,3kg)

\* La velocidad/ángulo de inclinación máximos pueden variar con cargas pesadas o desequilibradas.

\*\* Centrado en la bandeja.

Agitador Digital de Vaivén





## PANEL DE CONTROL DEL AGITADOR DIGITAL BASCULANTE/VAIVÉN

El panel frontal del Agitador basculante/vaivén contiene todos los controles y pantallas necesarios para operar la unidad.

**A. Botón Standby/indicador luminoso del botón Standby:** el indicador standby se iluminará cuando la unidad esté enchufada. La unidad estará en standby (modo de espera). Pulse el botón standby para activar las funciones de tiempo y velocidad/ángulo de inclinación. El indicador standby se apagará y se encenderán el indicador de velocidad/ángulo de inclinación y tiempo. Presione nuevamente el botón standby y la unidad volverá al modo de espera.

**B. Indicador de velocidad/ángulo de inclinación:** muestra la velocidad y ángulo de inclinación de la unidad. **C.** Flechas hacia arriba/abajo para controlar el valor programado. El botón on/off inicia/detiene la función basculante/vaivén. **D.** El indicador luminoso de la velocidad/ángulo de la inclinación se ilumina cuando la unidad está en funcionamiento basculante/vaivén.

**E. Botón de función:** Presione para seleccionar la función de ajuste: velocidad o inclinación.

**F. Indicador luminoso de velocidad:** se ilumina cuando se muestra la velocidad.

**G. Indicador luminoso de inclinación:** se ilumina cuando se muestra la inclinación.

**H. Indicador de tiempo:** Muestra el tiempo acumulado (modo continuo) o cuánto tiempo queda (modo tiempo). El rango de visualización es de 0 a 9999 minutos en incrementos de un (1) segundo. La pantalla indicará los minutos y segundos hasta que el temporizador llega a 99 minutos y 59 segundos (99:59), a continuación, la pantalla mostrará automáticamente minutos hasta 9999.

**I.** Flechas hacia arriba/abajo para controlar el valor programado. El botón on/off inicia/detiene la función tiempo.

## INSTRUCCIONES DE FUNCIONAMIENTO DEL AGITADOR BASCULANTE/VAIVÉN

Los agitadores basculantes/vaivén han sido diseñados para que las funciones de velocidad/ángulo de inclinación y tiempo trabajen independientemente una de otra. La función velocidad/ángulo de inclinación se puede reiniciar sin necesidad de reiniciar el temporizador, y se puede iniciar o detener el temporizador sin interrumpir la función basculante/vaivén.

### 1. Preparación:

- a. Enchufe el cable de alimentación a una toma de corriente conectada a tierra. El indicador de standby se iluminará, verificando que la unidad recibe corriente. Antes de encender la unidad, mueva manualmente la bandeja a una posición inicial casi horizontal.
- b. Pulse el botón standby para sacar la unidad del modo de espera. El indicador standby se apagará y se encenderán el indicador de velocidad/ángulo de inclinación y tiempo, mostrando los ajustes utilizados anteriormente.



### 2. Ajuste del ángulo de inclinación:

La inclinación electrónica permite al usuario ajustar el ángulo de movimiento de la bandeja mientras la unidad está en modo basculante/vaivén, o mientras la unidad está detenida.

- a. Pulse el botón bajo el indicador de velocidad/ángulo de inclinación hasta que se ilumine el indicador de inclinación. Ahora ya puede ajustar el ángulo de inclinación.
- b. Pulse las flechas hacia arriba/abajo bajo el indicador de velocidad/ángulo de inclinación hasta alcanzar el ángulo deseado. Al soltar el botón, el indicador parpadea para indicar que el nuevo ajuste de ángulo ha sido aceptado. La unidad completará una rotación en el ángulo establecido anteriormente, y luego cambiará con suavidad al ángulo recién programado. El indicador de inclinación parpadeará hasta que se complete la transición hacia el nuevo ángulo de inclinación.

### 3. Ajuste de la velocidad:

- a. Pulse el botón bajo el indicador de velocidad/ángulo de inclinación hasta que se ilumine el indicador de velocidad. Ahora ya puede ajustar el ángulo de velocidad.
- b. Pulse las flechas hacia arriba/abajo que se encuentra bajo el indicador de velocidad/ángulo de inclinación hasta alcanzar la velocidad deseada. Al soltar el botón, el indicador parpadea para indicar que el nuevo ajuste de velocidad ha sido aceptado.
- c. Pulse el botón on/off para iniciar la función basculante/vaivén. El indicador luminoso bajo el indicador de velocidad/ángulo de inclinación se ilumina y parpadea hasta que se alcanza el valor programado. Una vez alcanzado este valor, la luz dejará de parpadear y permanecerá encendida hasta que haya finalizado la función basculante/vaivén.

- d. Para detener la función basculante/vaivén, pulse el botón on/off bajo el indicador de velocidad/ángulo de inclinación. La unidad completará una rotación y luego se detendrá en la posición horizontal de inicio. El indicador luminoso de velocidad parpadeará hasta que se complete la rotación. Una vez que se completa el ciclo, la unidad pasará automáticamente al modo de espera y se iluminará el indicador standby.

### CONSEJOS PARA LA OPERACIÓN

Cuando la unidad está funcionando a ángulos altos o velocidad baja, los cambios importantes al ángulo de inclinación o la velocidad pueden tardar varios minutos en completarse. La forma más rápida de realizar cambios importantes es detener la unidad, cambiar la velocidad o ángulo de inclinación y, a continuación, reiniciar presionando el botón on/off que se encuentra bajo el indicador de velocidad/ángulo de inclinación.

### 4. Ajustar el tiempo a cero (0:00) y modo continuo: tiempo acumulado.

- a. Mantenga pulsado el botón on/off que se encuentra bajo el indicador de tiempo. Después de tres (3) segundos la pantalla indicará el tiempo fijado anteriormente.
- b. Pulse las dos flechas hacia arriba/abajo al mismo tiempo, la pantalla indicará cero (0:00). La unidad de tiempo se establece en cero (0:00) minutos. Alternativamente, puede utilizar las flechas hacia arriba/abajo para llegar a cero (0:00).
- c. Pulse el botón on/off que se encuentra bajo el indicador de tiempo. La pantalla indicará el tiempo acumulado. Las flechas hacia arriba/abajo quedarán inactivas. Para detener el temporizador, vuelva a pulsar el botón on/off. **IMPORTANTE:** Esto NO interrumpirá la función basculante/vaivén. Pulse el botón on/off que se encuentra bajo el indicador de velocidad/ángulo de inclinación para interrumpir la función basculante/vaivén.
- d. Para reajustar, mantenga pulsado el botón on/off que se encuentra bajo el indicador de tiempo. Después de tres (3) segundos, la pantalla indicará el tiempo fijado anteriormente, cero (0:00).

## INSTRUCCIONES DE FUNCIONAMIENTO DEL AGITADOR DIGITAL BASCULANTE/VAIVÉN

### 5. Ajuste del modo tiempo: tiempo programado.

- a. Pulse las flechas hacia arriba/abajo que se encuentran bajo el indicador de tiempo hasta alcanzar el tiempo deseado.
- b. Para iniciar esta función, pulse el botón on/off que se encuentra bajo el indicador de tiempo. La unidad funcionará durante el tiempo seleccionado, las flechas hacia arriba/abajo quedarán inactivas mientras el temporizador está funcionando. La unidad detiene la función basculante/vaivén cuando el indicador de tiempo llega a cero (0:00). Cuatro (4) pitidos audibles indicarán que se ha completado la función de temporizador. El indicador de tiempo volverá por defecto al tiempo fijado. Para repetir utilizando el mismo tiempo, simplemente vuelva a pulsar el botón on/off.
- c. Para interrumpir un ciclo temporizado automático antes de se haya completado, pulse el botón on/off que se encuentra bajo el indicador de tiempo. El indicador de tiempo parpadeará para indicar que la función de tiempo está «en espera». **IMPORTANTE:** esto **NO** interrumpirá la función basculante/vaivén. Pulse el botón on/off que se encuentra bajo el indicador de velocidad/ángulo de inclinación para interrumpir la función basculante/vaivén. Reajuste el temporizador presionando el botón on/off que se encuentra bajo el indicador de tiempo. La unidad continuará la cuenta regresiva a cero (0:00). Cuando el indicador llega a cero (0:00), emitirá cuatro 4 pitidos audibles indicando que se ha completado la función de temporizador, y se detendrá la función basculante/vaivén.

### 6. Apagar la unidad:

- a. Para apagar la unidad, pulse el botón de standby. El indicador de velocidad/ángulo de inclinación y tiempo se mostrará en blanco, el indicador standby se iluminará. El Agitador Basculante/Vaivén debe permanecer en modo de espera cuando no esté en uso. Para cortar completamente el suministro a la unidad, desconecte el cable de alimentación de la unidad, o desenchúfelo de la toma de corriente.

### CONSEJOS PARA LA OPERACIÓN

Como medida de seguridad, un programa integrado corta el suministro de energía al motor si la bandeja no puede realizar la función basculante/vaivén, o si la unidad se sobrecarga más allá de su capacidad de peso recomendado.

Durante una interrupción de alimentación, la memoria integrada mantiene los últimos ajustes utilizados de velocidad/ángulo de inclinación y tiempo.

## SOLUCIÓN DE PROBLEMAS DEL AGITADOR ANALÓGICO BASCULANTE/VAIVÉN

Si se obstruye el movimiento de la bandeja o si la unidad se sobrecarga mecánicamente, la unidad emitirá un pitido e intentará restaurar un movimiento oscilante controlado. Si la unidad no puede recuperarse por sí misma, desconecte el cable de alimentación, reduzca la carga, ajuste la velocidad o inclinación y vuelva a ejecutar.

## SOLUCIÓN DE PROBLEMAS DEL AGITADOR DIGITAL BASCULANTE/VAIVÉN

Problema	Causa	Solución
E03	Obstrucción mecánica Motor detenido Rotura de la correa de transmisión	<p>El error E03 puede ser atendido por el usuario. Pulse el botón standby para borrar este error. Si el error E03 persiste y se producen ruidos de fricción, golpes o roces, desconecte la unidad y póngase en contacto con su representante de Ohaus para su reparación.</p> <p>En caso de producirse un error E03, por ejemplo, si alguien toca la bandeja de la plataforma accidentalmente mientras la unidad está funcionando, la unidad pasará automáticamente a la posición horizontal de «Inicio» y se reiniciará. Si se deja una obstrucción bajo la bandeja, lo que causaría el reinicio continuo de la unidad, esta intentará volver a Inicio y reiniciar cuatro (4) veces, y después dejará de funcionar, mostrando un error E03. El usuario puede borrar este error pulsando el botón standby.</p>
E04	Carga máxima excedida	<p>El error E04 puede ser atendido por el usuario. Pulse el botón standby para borrar este error. Antes de reiniciar la unidad, asegúrese de que la carga esté dentro de los límites máximos especificados. Si el código E04 persiste, desconecte la unidad y póngase en contacto con su representante de Ohaus para su reparación.</p>



Manuale di Istruzioni

Shaker Oscillante 1 Piano,SHRK07AL1

Shaker Oscillante 2 Piani,SHRK07AL2

Shaker Oscillante, SHRK04DG

Shaker, Agitante, SHWV02AL

Shaker, Agitante, SHWV02DG

EN - English	1
FR - Français	12
ES - Español	24
IT - Italiano	36
DE - Deutsch	48
PT - Português	60
NL - Nederlands	65
NO - Norsk	70
DA - Dansk	75
SV - Svenska	80
FI - Suomi	85
HU - Magyar	90
PL - Polski	95
CZ - Czech	100
KR - Korean	105
JP - Japanese	117

## SOMMARIO

Contenuti del Package . . . . .	37
Informazioni di Servizio . . . . .	37
Installazione . . . . .	38
Manutenzione . . . . .	38
Utilizzo Previsto . . . . .	38
Condizioni Ambientali . . . . .	38
Smaltimento dell'Apparecchiatura . . . . .	38
Istruzioni per la Sicurezza . . . . .	39
Normative e Regolamenti . . . . .	39
Specifiche Miscelatore a Oscillazione/Onda Analogico . . . . .	40
Pulpito di Comando Miscelatore Analogico a Oscillazione/Onda . . . . .	41
Istruzioni di Funzionamento Miscelatore Analogico a Oscillazione/Onda . . . . .	41
Specifiche Miscelatore Digitale a Oscillazione . . . . .	42
Specifiche Miscelatore Digitale a Onda . . . . .	43
Pulpito di Comando Miscelatore Digitale a Oscillazione/Onda . . . . .	44
Istruzioni di Funzionamento Miscelatore Digitale a Oscillazione/Onda . . . . .	45-46
Ricerca Guasti . . . . .	47

## CONTENUTI DEL PACKAGE

Miscelatore a Oscillazione 1 Tier oppure  
 Miscelatore a Oscillazione 2 Tier oppure  
 Miscelatore a Onda Analogico oppure  
 Miscelatore a Onda Digitale  
 Tappetino Antiscivolo  
 Cavo di Alimentazione  
 Kit Tier (analogico a oscillazione 2 tier)  
 Manuale di Istruzioni  
 Scheda Garanzia

## INFORMAZIONI DI SERVIZIO

Se la sezione di ricerca guasti non risolve o descrive il vostro inconveniente, si prega di rivolgersi al vostro agente di servizio autorizzato OHAUS. Per assistenza di servizio o supporto tecnico negli Stati Uniti, si prega di chiamare il numero verde 1-800-672-7722 interno 7852 fra le 8:00 e le 17:00 PM EST. Uno specialista OHAUS sarà disponibile per offrirvi assistenza sul prodotto. Fuori dagli Stati Uniti, si prega di visitare il nostro sito web, [www.ohaus.com](http://www.ohaus.com) per trovare l'ufficio Ohaus più vicino a voi.

Numero di serie: \_\_\_\_\_

Data di 'Acquisto: \_\_\_\_\_

Fornitore: \_\_\_\_\_

## INSTALLAZIONE

Dopo ave ricevuto Miscelatore a Oscillazione/onda Ohaus, si prega di accertarsi che non si siano verificati danni durante la spedizione. E' importante che eventuali danni che si siano verificati durante il trasporto siano rilevati durante il disimballo. Se si riscontrano tali danni, è necessario notificare immediatamente il trasportatore.

Dopo il disimballo, posizionare il Miscelatore a Oscillazione/Onda su un banco o su una tavola piani, lontani da vapori esplosivi. Accertarsi che la superficie su cui si posiziona il gruppo sopporti il calore che è tipicamente prodotto dal gruppo. Posizionare sempre il gruppo su una superficie di lavoro robusta.

Il Miscelatore a Oscillazione/Onda è fornito con un cavo di alimentazione inserito in primo luogo nel connettore IEC sul lato posteriore del gruppo, che può poi essere connesso a una presa adeguatamente messa a terra . Il gruppo da 120V si connette a una fonte di alimentazione da 120 volt, 50/60 Hz . Il gruppo da 230V si connette a una fonte di alimentazione da 230 volt, 50/60 Hz.

## MANUTENZIONE

Il Miscelatore a Oscillazione/Onda è fabbricato per un esercizio lungo, senza inconvenienti e affidabile. Non sono necessarie lubrificazione o altre manutenzioni tecniche da parte dell'utente. Tuttavia, quanto segue deve essere eseguito ogni tre (3) mesi:

- Disconnettere il gruppo.
- Rimuovere eventuale sporcizia che si sia accumulata dalla base e dal vassoio.
- Verificare tutti gli elementi accessibili e accertarsi che siano adeguatamente serrati.

Il gruppo deve essere trattato con la cura che si riserva normalmente alle apparecchiature elettriche . Evitare di bagnare o di esporre eccessivamente ai fumi. Rimuovere tempestivamente ogni versamento. NON utilizzare un detergente o un solvente abrasivo o dannoso per la plastica, e neppure detersivi o solventi infiammabili per il pannello anteriore Accertarsi sempre che l'alimentazione sia disconnessa dal gruppo prima di ogni pulizia. Se il gruppo necessita di manutenzione, rivolgersi al proprio rappresentante Ohaus.

## UTILIZZO PREVISTO

Il Miscelatore a Oscillazione/Onda è inteso per utilizzo generico in laboratorio.

## CONDIZIONI AMBIENTALI

**Condizioni di Funzionamento:** Solo per utilizzo all'interno.

\* Per utilizzo in ambienti con CO<sub>2</sub>, incubatori o celle frigorifere.

\* Temperatura: da -10 a 60°C (da 4 a 140°F).

Umidità: Massima umidità relativa 80%, senza condensa

Altitudine: da 0 a 6,562 ft (2000 M) s.l.m.

Tensione di alimentazione di rete: Le fluttuazioni non devono essere superiori al 10% della tensione di alimentazione normale.

**Stoccaggio non in Condizioni di Funzionamento:**

\* Temperatura: da -20 a 65°C (da -4 a 149°F)

Umidità: Massima umidità relativa 80%, senza condensa

Installazione di Categoria II e Grado di Inquinamento 2 conformemente a IEC 664.

\* **Evitare gli avviamenti a freddo:** Il gruppo non è previsto per essere avviato dopo essere stato in un ambiente cella frigorifera. Portare il gruppo in una cella frigorifera da un ambiente a temperatura ambiente, operare e rimuovere il gruppo dalla cella frigorifera non appena l'operazione è stata completata.

## SMALTIMENTO DELL'APPARECCHIATURA

L'apparecchiatura non deve essere smaltita come rifiuto generico. E' vostra responsabilità smaltire correttamente le apparecchiature a fine vita affidandole a un impianto autorizzato di raccolta differenziata e riciclaggio. E' anche vostra responsabilità decontaminare l'apparecchiatura in caso di contaminazione biologica, chimica e/o radiologica, e anche proteggere le persone coinvolte nello smaltimento e nel riciclaggio dell'apparecchiatura da ogni pericolo per la salute.



Per maggior informazioni riguardanti ove smaltire la vostra apparecchiatura, si prega di rivolgersi al concessionario locale dove era stata originariamente acquistata. Così facendo, contribuirete a preservare le risorse naturali e ambientali e garantirete che la vostra apparecchiatura sia riciclata in un modo che protegge la salute umana.

## ISTRUZIONI PER LA SICUREZZA

Si prega di leggere tutto il manuale di istruzioni prima di mettere in funzione il -Miscelatore a Oscillazione/Onda.



**ATTENZIONE! NON** utilizzare il Miscelatore a Oscillazione/onda in un'atmosfera pericolosa o con materiali pericolosi per i quali il gruppo non sia progettato. Inoltre, l'utente deve essere consapevole che la protezione fornita dall'apparecchiatura può essere compromessa se l'apparecchiatura stessa è utilizzata con accessori non forniti o consigliati dal costruttore, oppure se è utilizzata in una maniera non specificata dal costruttore.

Utilizzare sempre il gruppo su una superficie livellata al fine di ottenere le migliori prestazioni e la massima sicurezza.

**NON** sollevare il gruppo dal vassoio.



**AVVERTENZA!** Al fine di evitare scosse elettriche, togliere completamente l'alimentazione al gruppo disconnettendo il cavo di alimentazione dal gruppo oppure dalla presa a parete. Disconnettere il gruppo dall'alimentazione prima di eseguire manutenzione.

Rimuovere tempestivamente ogni versamento. I versamenti a pericolo biologico devono essere eliminati utilizzando procedure approvate di laboratorio. I versamenti di solvente sono un pericolo di incendio. Arrestare immediatamente il gruppo e NON operare fino a che la pulizia non è completa e i vapori non sono dissipati (le spazzole del motore fanno arco e possono accendere vapori infiammabili).

**NON** immergere il gruppo per pulirlo.

**NON** mettere in funzione il gruppo se mostra segni di danni meccanici o elettrici.

Il cavo di alimentazione principale fornito con questo prodotto è calcolato per gestire in condizioni di sicurezza il carico elettrico del prodotto alle condizioni ambientali definite.

**NON** sostituire questo cavo con un cavo di alimentazione non adeguatamente tarato.






Morsetto Conduttore Protettivo di Massa a Terra



Corrente Alternata

## NORMATIVE & REGOLAMENTI

Il corrispondente marchio di prodotto riporta la conformità alle normative e ai regolamenti seguenti.

Marcatura	Normative e Regolamenti
	OHAUS Corporation dichiara che i miscelatori della serie SHRK, SHWV sono conformi alle direttive 2011/65/EU, 2014/30/EU, 2014/35/EU e alle norme EN 50581, EN 61010-1, EN 61010-2-051, EN 61326-1. Il testo completo della dichiarazione UE di conformità è disponibile all'indirizzo Internet seguente: <a href="http://www.ohaus.com/ce">www.ohaus.com/ce</a> .
	Questo prodotto è conforme alla direttiva 2012/19/EU. Si prega di smaltire il prodotto conformemente ai regolamenti locali al punto di raccolta specificato per le apparecchiature elettriche ed elettroniche. per le istruzioni sullo smaltimento in Europa, fare riferimento a <a href="http://www.ohaus.com/weee">www.ohaus.com/weee</a> .
	EN 61326-1
	CAN/CSA C22.2 61010-1, CAN/CSA C22.2 61010-2-051 UL 61010-1, UL 61010-2-051

Avviso Globale

Attenzione: Si tratta di un prodotto di Classe A. In un ambiente domestico, questo prodotto può provocare interferenza radio, nel qual caso è possibile che l'utente debba prendere provvedimenti adeguati.

Avviso Canada

L'apparato digitale di classe A è conforme alla normativa canadese ICES-003.

Avviso FCC

NOTA: L'apparecchiatura è stata collaudata e si è riscontrato che è conforme ai limiti per un dispositivo digitale di Classe A, secondo la Sezione A delle Regole FCC. Detti limiti sono previsti per fornire una protezione ragionevole contro interferenze dannose quando l'apparecchiatura è in funzione in un ambito commerciale. L'apparecchiatura utilizza, genera e può irradiare energia di frequenza radio e, se non è installata e utilizzata conformemente al manuale di istruzioni, può provocare interferenze dannose per le comunicazioni radio. È probabile che il funzionamento di questa apparecchiatura in una zona residenziale provochi interferenze dannose, nel qual caso l'utente dovrà correggere l'interferenza a proprie spese.

Modifiche non espressamente approvate da Ohaus Corporation potrebbero rendere nulla l'autorizzazione all'utente a operare con l'apparecchiatura.



## SPECIFICHE MISCELATORE A OSCILLAZIONE/ONDA ANALOGICO



### Dimensioni totali (L x W x H):

a Oscillazione: 16,8 x 11,0 x 5,5" (42,5 x 27,9 x 14,0cm)

a Onda: 16,8 x 11,0 x 6,5" (42,5 x 27,9 x 16,5cm)

### Dimensioni piattaforma (L x W x H):

14 x 11" (35,5 x 27,9cm)

### Elettricità (50/60 Hz): a Oscillazione:

120 volt, 15 watt

230 volt, 15 watt

a Onda:

120 volt, 25 watt

230 volt, 25 watt

### Fusibili:

5mm x 20mm, 5 amp ad azione rapida

### Gamma velocità:

d 1 a 75 giri/minuto\*

### Angolo di inclinazione:

a Oscillazione: da 0 a 15°\*

a Onda:

da 0 a 16°\*

### Capacità peso:

a Oscillazione:

16lbs (7,3kg)\*\*

a Onda:

5lbs (2,3kg)\*\*

### Timer:

da 1 minuto a 120 minuti

### Comandi:

vedere pagina 41

### Peso di spedizione:

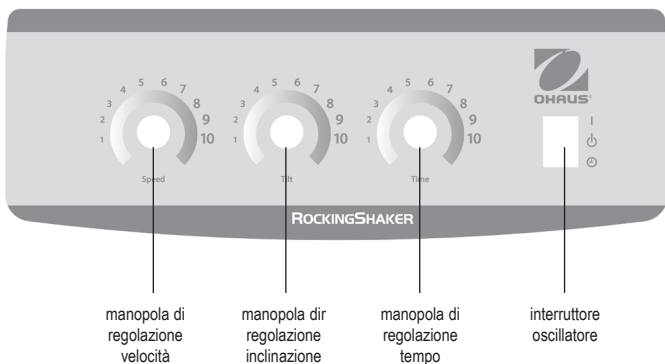
15,5lbs (7kg)

\*\* La velocità e l'angolo di inclinazione massimi variano nel caso di carichi pesanti e/o non equilibrati.

\*\* Centrato sul vassoio.

## PULPITO DI COMANDO MISCELATORE A OSCILLAZIONE/ONDA

Il pannello anteriore del Miscelatore Analogico contiene tutti i comandi e le visualizzazioni necessari per operare con l'apparecchiatura.



## ISTRUZIONI DI FUNZIONAMENTO MISCELATORE ANALOGICO A OSCILLAZIONE/ONDA

### 1. Preparazione:

- L'interruttore dell'Oscillatore deve essere nella posizione centrale di Stand-by.
- Connettere il cavo di alimentazione a una presa adeguatamente messa a terra. Spostare manualmente il vassoio a una vicina posizione orizzontale di "home" prima di alimentare il gruppo.
- Posizionare le manopole di Velocità e di Inclinazione fra 2 e 3 sul quadrante.
- Porre l'interruttore dell'oscillatore alla posizione ON ("I"). L'oscillatore si livellerà automaticamente e incomincerà a operare a velocità e inclinazione moderate.

### 2. Impostare velocità e inclinazione:

- Ruotare le manopole Velocità e Inclinazione per ottenere le impostazioni desiderate.

### 3. Impostazione del tempo:

- Per operare in modalità temporizzata, impostare le manopole timer, velocità e inclinazione alle impostazioni desiderate.
- Premere l'interruttore oscillatore alla posizione Tempo e rilasciare. ⏪
- Il gruppo adesso funzionerà al tempo impostato.
- Per uscire dalla modalità Tempo, premere l'interruttore di oscillazione verso l'alto e riportarlo al centro Posizione di Stand-by.

**NOTA:** Dopo aver impostato il timer, eventuali regolazioni del tempo non saranno efficaci. Per resettare il tempo, uscire dalla modalità Tempo (vedere fase 3d qui sopra) e inserire un nuovo tempo seguendo le fasi di cui sopra.

### SUGGERIMENTI PER IL FUNZIONAMENTO:

Centrare il vostro campione e una distribuzione uniforme dei pesi sul vassoio favoriscono l'equilibrio e la stabilità.

## SPECIFICHE MISCELATORE DIGITALE A OSCILLAZIONE



**Dimensioni totali (L x W x H):** 16,8 x 10,0 x 5,5" (42,5 x 25,4 x 14,0cm)

**Dimensioni vassoio (L x W):** 12,75 x 10" (32,4 x 25,4cm)

**Elettricità (50/60 Hz):** 120 volt: 25 watt  
230 volt: 25 watt

**Fusibili:** 5mm x 20mm, 5 amp ad azione rapida

**Gamma velocità:** da 1 a 50 giri/minuto \*

**Precisione della velocità:** ±1rpm

**Angolo di inclinazione:** da 0 a 15° \*

**Timer:** da 1 secondo a 9999 minuti  
(con incrementi di 1 secondo)

**Massima Capacità di peso:** 10lbs (4,5kg) \*\*

**Comandi:** vedere pagina 44

**Materiale del vassoio:** alluminio

**Peso di spedizione:** 15,5lbs (7kg)

\* La velocità e l'angolo di inclinazione massimi variano nel caso di carichi pesanti e/o non equilibrati.

\*\* Centrato sul vassoio.

Miscelatore Digitale a Oscillazione con parti in vetro e in plastica

## SPECIFICHE MISCELATORE DIGITALE A ONDA



**Dimensioni totali (L x W x H):** 17 x 11 x 6" (43,2 x 27,9 x 15,2cm)

**Dimensioni vassoio (L x W):** 11,75 x 8,75" (29,9 x 22,2cm)

**Elettricità (50/60 Hz):** 120 volt: 25 watt  
230 volt: 25 watt

**Fusibili:** 5mm x 20mm, 5 amp ad azione rapida

**Gamma velocità:** da 1 a 30 giri/minuto \*

**Precisione della velocità:** ±1rpm

**Angolo di inclinazione:** da 0 a 20° \*

**Timer:** da 1 secondo a 9999 minuti  
(con incrementi di 1 secondo)

**Massima Capacità di peso:** 5lbs (2,3kg) \*\*

**Comandi:** vedere pagina 44

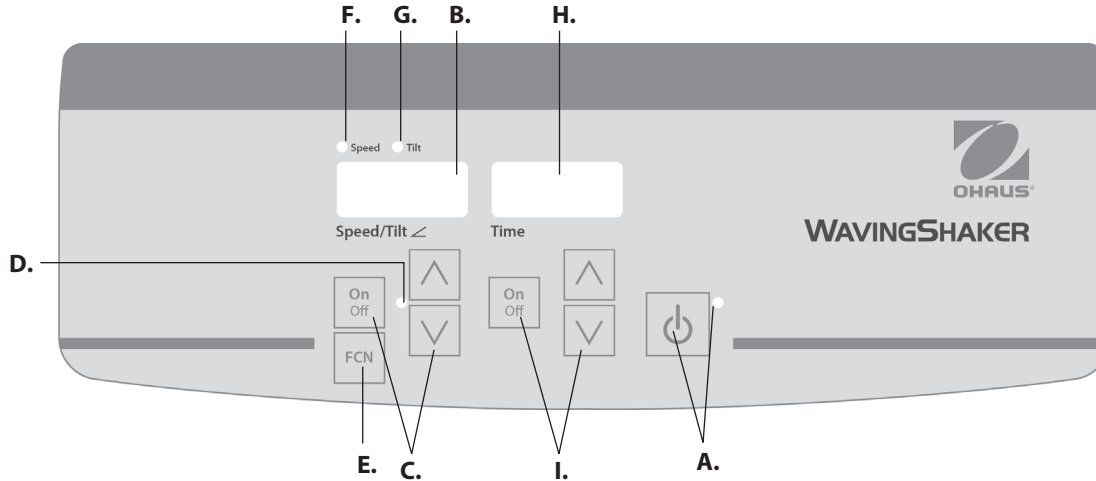
**Materiale del vassoio:** alluminio

**Peso di spedizione:** 16lbs (7,3kg)

\* La velocità e l'angolo di inclinazione massimi variano nel caso di carichi pesanti e/o non equilibrati.

\*\* Centrato sul vassoio.

Miscelatore a Onda Digitale



## PULPITO DI COMANDO MISCELATORE DIGITALE A OSCILLAZIONE/ONDA

Il pannello anteriore del Miscelatore a Oscillazione/Onda contiene tutti i comandi e le visualizzazioni necessari per operare con l'apparecchiatura.

**A. Pulsante/Spia luminosa di indicazione di standby:** La spia luminosa di stand-by si accende quando l'apparecchiatura è connessa. Il gruppo è in modo stand-by. Premere il pulsante di stand-by per attivare le funzioni velocità/angolo di inclinazione e tempo. La spia luminosa di stand-by si spegnerà e si accenderanno i display velocità/angolo di inclinazione tempo. Premere nuovamente il pulsante di stand-by e il gruppo sarà nuovamente in modo stand-by.

**B. Display velocità/angolo di inclinazioni:** Visualizza la velocità e l'angolo di inclinazione del gruppo. **C. Frecce alto/basso** per il comando del punto di impostazione. Il pulsante ON/OFF avvia e arresta la funzione oscillazione/onda **D.** La spia luminosa di velocità/angolo di inclinazione si accende quando il gruppo sta oscillando/muovendo a onda.

**E. Pulsante funzione:** Premere per scegliere la funzione di velocità o di inclinazione

impostata.

**F. Spia luminosa di indicazione della velocità:** Si accende quando si visualizza la velocità.

**G. Spia luminosa di indicazione inclinazione:** Si accende quando si visualizza l'angolo di inclinazione.

**H. Display tempo:** Visualizza il tempo accumulato (modo continuo) oppure il tempo rimanente (modo temporizzato) La gamma di visualizzazione è da 0 a 9.999 minuti con incrementi di un (1) secondo. Il display indicherà i minuti e i secondi fino a che il timer non raggiunge 99 e 59 secondi (99:59), poi il display visualizzerà automaticamente i minuti fino a 9.999.

**I. Frecce alto/basso** per il comando del punto di impostazione. Il pulsante ON/OFF avvia e arresta la funzione tempo.

## ISTRUZIONI DI FUNZIONAMENTO MISCELATORE DIGITALE A OSCILLAZIONE/ONDA

I Miscelatori a Oscillazione/Onda sono stati progettati di modo che le funzioni velocità, angolo di inclinazione e tempo funzionino indipendentemente fra loro. La velocità e l'angolo di inclinazione possono essere resettati senza resettare il timer, e il timer può essere arrestato e avviato senza interrompere le funzioni di oscillazione/movimento a onda.

### 1. Preparazione:

a. Connettere il cavo di alimentazione a una presa adeguatamente messa a terra. La spia luminosa di indicazione dello stand-by si accenderà, confermando che il gruppo è alimentato. Spostare manualmente il vassoio a una vicina posizione orizzontale di "home" prima di alimentare il gruppo.



b. Premere il pulsante di stand-by per spostare il gruppo dal modo stand-by. La spia luminosa di stand-by si spegnerà e si accenderanno i display velocità, angolo di inclinazione e tempo, visualizzando le impostazioni utilizzate in precedenza.

2. **Impostare l'angolo di inclinazione:** L'inclinazione elettronica consente all'utente di regolare l'angolo di movimento del vassoio mentre il gruppo sta oscillando/muovendo a onda o mentre il gruppo è in arresto.

a. Premere il pulsante funzione sotto il display di velocità/angolo di inclinazione fino a che non si accende la spia di indicazione dell'inclinazione. Adesso è possibile impostare l'angolo di inclinazione.

b. Premere le frecce alto/basso sotto il display velocità/angolo di inclinazione fino a che non si raggiunge l'angolo desiderato. Quando si rilascia il pulsante, il display lampeggerà e poi rimarrà fisso per indicare che il nuovo angolo impostato è stato accettato. L'angolo compirà una rotazione all'angolo impostato in precedenza e poi si sposterà uniformemente al nuovo angolo programmato. La spia di indicazione dell'inclinazione lampeggerà fino a che la transizione al nuovo angolo non è completata.

### 3. Impostazione velocità:

a. Premere il pulsante funzione sotto il display di velocità/angolo di inclinazione fino a che non si accende la spia di indicazione della velocità. Adesso è possibile impostare la velocità.

b. Premere le frecce alto/basso sotto il display velocità/angolo di inclinazione fino a che non si raggiunge la velocità desiderata. Quando si rilascia il pulsante, il display lampeggerà e poi rimarrà fisso per indicare che la nuova velocità impostata è stata accettata.

c. Premere il pulsante on/off per avviare la funzione di oscillazione/movimento a onda. La spia luminosa di indicazione sotto il display velocità/angolo di inclinazione si accenderà e lampeggerà fino a che non si raggiunge il punto impostato. Una volta raggiunto il punto impostato, la spia smetterà di lampeggiare e rimarrà accesa fino a che non cessa l'oscillazione/movimento a onda.

d. Per arrestare la funzione di oscillazione/movimento a onda, premere il pulsante ON/OFF sotto il display della velocità/angolo di rotazione. Il gruppo compirà una rotazione completa e poi si arresterà nella posizione "home" orizzontale. La spia luminosa di indicazione della velocità si accende fino a che la rotazione non è completa. Una volta che il ciclo è completo, il gruppo si porterà automaticamente in modalità stand-by e la spia luminosa della modalità stand-by si accenderà.

### SUGGERIMENTI PER IL FUNZIONAMENTO

Quando il gruppo si muove a velocità lenta o ad angoli elevati, grandi modifiche all'angolo di inclinazione o alla velocità possono richiedere vari minuti prima di essere completati. Il modo più rapido per effettuare grandi cambiamenti è arrestare il gruppo, modificare la velocità o l'angolo di inclinazione e poi riavviare premendo il pulsante ON/OFF sotto il display velocità/angolo di inclinazione.

4. **Impostazione del tempo a (0:00) e modo continuo:** Tempo accumulato.

a. Premere il pulsante sotto il display del tempo e tenerlo premuto. Dopo tre (3) secondi, il display indicherà il tempo impostato precedentemente.

b. Se si premono allo stesso tempo le frecce alto/basso, il display indicherà zero (0:00). Il tempo del gruppo è adesso impostato a zero (0:00) minuti. In alternativa, si possono utilizzare le sfere alto/basso per arrivare a zero (0:00).

c. Premere il pulsante ON/OFF sotto il display del tempo. Il display indicherà il tempo accumulato. Le frecce alto/basso diverranno inattive. Per arrestare il timer, premere nuovamente il pulsante ON/OFF. **IMPORTANTE:** Questa operazione NON interromperà la funzione di oscillazione/movimento a onda. Premere il pulsante ON/OFF sotto il display velocità/angolo di inclinazione per interrompere la funzione di oscillazione/movimento a onda.

d. Per resettare, premere il pulsante ON/OFF sotto il display del tempo e tenerlo premuto. Dopo tre (3) secondi, il display indicherà il tempo impostato precedentemente, che era zero (0:00).

## ISTRUZIONI DI FUNZIONAMENTO MISCELATORE DIGITALE A OSCILLAZIONE/ONDA (SEGUE)

### 5. Impostare la modalità temporizzata: Tempo programmato.

- a. Premere le frecce alto/basso sotto il display tempo fino a che non si raggiunge il tempo desiderato.
- b. Avviare questa funzione premendo il pulsante sotto il display del tempo . Il gruppo opererà per il tempo selezionato, le frecce alto/basso diverranno inattive durante il funzionamento del timer. Il gruppo smetterà di oscillare/muoversi a onda quando il display del tempo raggiunge zero (0:00). Quattro (4) "bip" udibili indicheranno che la funzione conteggio è completa. Il display tempo riprenderà di default il tempo impostato. Per ripetere lo stesso tempo, è sufficiente premere di nuovo il pulsante ON/OFF.
- c. Per interrompere un ciclo di temporizzazione automatico prima che sia completato, premere il pulsante ON/OFF sotto il display del tempo. Il display del tempo lampeggerà per indicare che la funzione tempo è in "hold". **IMPORTANTE:** Questa operazione NON interromperà la funzione di oscillazione/movimento a onda. Premere il pulsante ON/OFF sotto il display velocità/angolo di inclinazione per interrompere la funzione di oscillazione/movimento a onda. Riavviare il timer premendo il pulsante sotto il display del tempo e tenendolo premuto. Il gruppo proseguirà a contare alla rovescia fino a zero (0:00). Quando il display raggiunge lo zero (0:00), si udiranno i quattro (4) "bip" che indicano che la funzione conteggio alla rovescia è completa e la funzione di oscillazione/movimento a onda cesserà.

### 6. Disconnessione del gruppo timer:

- a. Per disconnettere il timer, premere il pulsante di stand-by. I display di velocità/angolo di inclinazione e tempo saranno vuoti, la spia luminosa di stand-by si accenderà. Quando non è in uso, Miscelatore a Oscillazione/onda dovrebbe essere tenuto in modalità stand-by. Per disconnettere completamente l'alimentazione al gruppo, disconnettere il cavo di alimentazione dal gruppo oppure dalla presa a parete.

### SUGGERIMENTI PER IL FUNZIONAMENTO

Come caratteristica di sicurezza, un programma incorporato disconetterà l'alimentazione del motore se l'oscillazione/movimento a onda del vassoio sono impediti, oppure se il gruppo è sovraccarico oltre la capacità di peso consigliata.

La memoria incorporata mantiene le ultime impostazioni utilizzate di velocità/angolo di inclinazione e tempo durante un'interruzione dell'alimentazione.

## RICERCA GUASTI MISCELATORE A OSCILLAZIONE/ONDA ANALOGICO

Se il movimento del vassoio è ostruito o se il gruppo è sottoposto a un sovraccarico meccanico, il gruppo emetterà dei "bip" e cercherà di ripristinare il movimento di oscillazione controllata. Se il gruppo non riesce a recuperare da solo, disconnettere il cavo di alimentazione, ridurre il carico, le impostazioni di velocità o di inclinazione e ripetere l'operazione.

## RICERCA GUASTI MISCELATORE A OSCILLAZIONE/ONDA DIGITALE

Problema	Causa	Soluzione
E03	Ostruzione meccanica Motore arrestato Cinghia di trasmissione rotta	<p>L'errore E03 può essere trattato dall'utente Premere il pulsante di stand-by per eliminare questo errore. Se l'errore E03 persiste, insieme a rumori di raschiamento, sfregamento o battiti, disconnettere il gruppo e rivolgersi a rappresentante Ohaus per le riparazioni.</p> <p>Nel caso di un errore E03 erratico, come per esempio se qualcuno ha toccato inavvertitamente il vassoio della piattaforma mentre il gruppo era in funzione, il gruppo si sposterà automaticamente alla posizione di "home" orizzontale e si riavvierà. Nel caso in cui si sia lasciata un'ostruzione sotto il vassoio, che provocherebbe continui riavvii del gruppo, il gruppo cercherà di spostarsi automaticamente alla posizione di home e ripartire per quattro (4) volte e poi si arresterà, visualizzando l'errore E03. Questo errore può essere eliminato dall'utente premendo il pulsante di stand-by.</p>
E04	Superato il carico massimo	<p>L'errore E04 può essere trattato dall'utente Premere il pulsante di stand-by per eliminare questo errore. Accertarsi che il carico sia entro le specifiche massime di carico prima di riavviare il gruppo. Se il codice E04 persiste, disconnettere il gruppo e rivolgersi al vostro rappresentante Ohaus per le riparazioni.</p>





Bedienungsanleitung

Schüttler, Schaukeln, 1Stufe, SHRK07AL1

Schüttler, Schaukeln, 2Stufe, SHRK07AL2

Schüttler, Schaukeln, SHRK04DG

Schüttler, Wellen, SHWV02AL

Schüttler, Wellen, SHWV02DG

EN - English	1
FR - Français	12
ES - Español	24
IT - Italiano	36
DE - Deutsch	48
PT - Português	60
NL - Nederlands	65
NO - Norsk	70
DA - Dansk	75
SV - Svenska	80
FI - Suomi	85
HU - Magyar	90
PL - Polski	95
CZ - Czech	100
KR - Korean	105
JP - Japanese	117



## INHALTSVERZEICHNIS

Paketinhalt . . . . .	49
Serviceinformationen . . . . .	49
Installation . . . . .	50
Wartung & Instandhaltung . . . . .	50
Verwendungszweck . . . . .	50
Umweltbedingungen . . . . .	50
Geräteentsorgung . . . . .	50
Sicherheitsvorschriften . . . . .	51
Standards & Regelungen . . . . .	51
Analoger Wipp-/Wellenschüttler-Spezifikationen . . . . .	52
Analoger Wipp-/Wellenschüttler-Steuertafel . . . . .	53
Analoger Wipp-/Wellenschüttler-Betriebsanleitungen . . . . .	53
Digitaler Wippschüttler-Spezifikationen . . . . .	54
Digitaler Wellenschüttler-Spezifikationen . . . . .	55
Digitaler Wipp-/Wellenschüttler-Steuertafel . . . . .	56
Digitaler Wipp-/Wellenschüttler Schüttler-Betriebsanleitungen . . . . .	57-58
Problembhebung . . . . .	59

### PAKETINHALTE

- Wippschüttler 1-stufig oder
- Wippschüttler 2-stufig oder
- Wellenschüttler Analog oder
- Wellenschüttler Digital
- Rutschfeste Gummimatte
- Stromkabel
- Stufen-Kit (Analog wippend 2-stufig)
- Bedienungshandbuch
- Garantiekarte

### SERVICEINFORMATIONEN

Wenn der Abschnitt über Problemlösungen Ihr Problem nicht behebt oder beschreibt, nehmen Sie mit Ihrem autorisierten OHAUS-Serviceagenten Kontakt auf. Für Service-Unterstützung oder technischen Support in den Vereinigten Staaten rufen Sie gebührenfrei 1-800-672-7722 Durchwahl 7852 zwischen 8.00 Uhr und 17.00 Uhr EST an. Ein OHAUS Produktservice-Fachmann steht zur Unterstützung bereit. Außerhalb der USA besuchen Sie bitte unsere Webseite, [www.ohaus.com](http://www.ohaus.com), um das Ihnen nächstgelegene Ohaus-Büro zu finden.

Seriennummer: \_\_\_\_\_

Kaufdatum: \_\_\_\_\_

Lieferant: \_\_\_\_\_

## INSTALLATION

Nach Erhalt des Ohaus Wipp-/Wellenschüttlers, prüfen Sie ihn, um sicherzustellen, dass keine Beschädigung während des Versandes aufgetreten ist. Es ist wichtig, dass alle möglichen Beschädigungen, die beim Versand aufgetreten sind, beim Auspacken festgestellt werden. Wenn Sie eine solche Beschädigung feststellen, muss der Spediteur unverzüglich informiert werden.

Stellen Sie den Wipp-/Wellenschüttler nach dem Auspacken auf eine ebene Bank oder einen Tisch, fern von explosiven Dämpfen. Stellen Sie sicher, dass die Oberfläche, auf der die Einheit platziert wird, der typischen Hitze, die von der Einheit produziert wird, widersteht. Stellen Sie die Einheit auf eine stabile Arbeitsoberfläche.

Der Wipp-/Wellenschüttler wird mit einem Stromkabel geliefert, das zuerst in den IEC-Anschluss auf der Rückseite der Einheit eingesteckt wird, dann kann es in eine ordentlich geerdete Steckdose gesteckt werden. Die 120V-Einheit wird in eine 120 Volt, 50/60 Hz-Quelle gesteckt. Die 230V-Einheit wird in eine 230 Volt, 50/60 Hz-Quelle gesteckt.

## WARTUNG & INSTANDHALTUNG

Der Wipp-/Wellenschüttler wird für einen langen, störungsfreien, betriebssicheren Service gebaut. Es ist keine Schmierung oder andere technische Wartung durch den Benutzer erforderlich. Allerdings sollten Sie mindestens alle drei (3) Monate:

- Die Einheit aus der Steckdose ziehen.
- Jeden eventuell entstandenen Schmutz von der Basis und der Schale entfernen.
- Alle zugänglichen Einzelteile prüfen, um sicherzustellen, dass sie ordnungsgemäß festgezogen sind.

Die Einheit sollte mit der Sorgfalt behandelt werden, die normalerweise für jedes elektrische Gerät erforderlich ist. Vermeiden Sie, dass die Einheit nass wird oder unnötigerweise Dämpfen ausgesetzt wird. Verschattungen sollten unverzüglich entfernt werden. Benutzen Sie kein Reinigungsmittel oder Lösungsmittel auf der Vordertafel, die abschleifend oder für Kunststoffe schädlich oder gar entzündlich ist. Stellen Sie immer sicher, dass die Stromzufuhr vor der Reinigung von der Einheit getrennt wird. Wenn die Einheit mal einen Service erfordern sollte, nehmen Sie mit Ihrem Ohaus-Vertreter Kontakt auf.

## VERWENDUNGS-ZWECK

Der Wipp-/Wellenschüttler dient dem allgemeinen Laborgebrauch.

## UMWELTBEDINGUNGEN

**Betriebsbedingungen:** Nur in geschlossenen Räumen zu verwenden.

- \* Für den Gebrauch in CO<sub>2</sub>-Umgebungen, Inkubatoren oder Kühlräumen.
- \* Temperatur: -10 bis 60°C (14 bis 140°F).
- Feuchtigkeit: relative Feuchtigkeit maximal 80%, nicht kondensierend
- Höhe: 0 bis 6.562 Fuß (2000 M) über dem Meeresspiegel

Hauptstromspannung: Fluktuationen dürfen 10 Prozent der nominalen Versorgungsmaterial-Spannung nicht überschreiten.

**Bedienungslose Lagerung:**

- \* Temperatur: -20 bis 65°C (-4 bis 149°F)
- Feuchtigkeit: relative Feuchtigkeit maximal 80%, nicht kondensierend

Installationskategorie II und Verunreinigungsgrad 2 in Übereinstimmung mit IEC 664.

\* **Vermeiden Sie Kaltstarts:** Die Einheit ist nicht dafür konzipiert, nach einem Kühlraumklima gestartet zu werden. Bringen Sie die Einheit aus einem Raumtemperaturklima in den Kühlraum, betreiben Sie sie und entfernen Sie die Einheit aus dem Kühlraum, sobald der Betrieb abgeschlossen ist.

## EQUIPMENT DISPOSAL

Diese Ausrüstung darf nicht mit unsortiertem Abfall entsorgt werden. Es unterliegt Ihrer Verantwortlichkeit, die Ausrüstung am Ende des Lebenszyklus richtig zu entsorgen, indem Sie sie an eine autorisierte Einrichtung für Mülltrennung und Recycling übergeben. Es unterliegt auch Ihrer Verantwortlichkeit, die Ausrüstung im Falle einer biologischen, chemischen und/oder nuklearen Kontamination zu dekontaminieren, um die an der Entsorgung und beim Recycling der Ausrüstung beteiligten Personen vor gesundheitlichen Gefahren zu schützen.



Für weitere Informationen darüber, wo Sie Ihre Ausrüstung entsorgen können, nehmen Sie bitte mit Ihrem lokalen Händler Kontakt auf, von dem Sie diese Ausrüstung ursprünglich gekauft haben. Dadurch werden Sie einen Beitrag dazu leisten, die natürlichen Ressourcen und Rohstoffe zu bewahren, und Sie werden sicherstellen, dass Ihre Ausrüstung auf eine Weise wiederverwertet wird, dass die menschliche Gesundheit schützt.

## SICHERHEITSVORSCHRIFTEN

Bitte lesen Sie die gesamte Anleitung durch, bevor Sie den Wipp-/Wellenschüttler benutzen.



**ACHTUNG** Benutzen Sie den Wipp-/Wellenschüttler **NICHT** in einer gefährlichen Umgebung oder mit gefährlichen Materialien, für die die Einheit nicht konzipiert wurde. Außerdem sollte der Benutzer sich darüber bewusst sein, dass der von der Ausrüstung bereitete Schutz beeinträchtigt werden könnte, wenn sie mit Zubehöriteilen benutzt wird, die nicht vom Hersteller bereitgestellt oder empfohlen werden, oder wenn sie auf eine Weise benutzt wird, die vom Hersteller nicht spezifiziert wird.

Verwenden Sie den Apparat stets auf einer ebenen Oberfläche, um beste Leistung und maximale Sicherheit zu erzielen.

Heben Sie die Einheit **NICHT** an der Schale hoch.



**VORSICHT!** Um einen Stromschlag zu vermeiden, stellen Sie den Strom zur Einheit ab, indem Sie das Stromkabel von der Einheit trennen oder aus der Steckdose ziehen. Trennen Sie vor Wartungs- und Instandhaltungsarbeiten die Einheit von der Stromversorgung.

Ausgelaufene Flüssigkeiten sollten sofort entfernt werden. Biologische Gefahren sollten durch Verwendung von genehmigten Laborverfahren gereinigt werden. Ausgelaufene Lösungsmittel stellen eine Brandgefahr dar. Halten Sie die Einheit unverzüglich an und bedienen Sie sie **NICHT** bis die Reinigung abgeschlossen ist und Dämpfe sich verzogen haben (Motorbürsten erzeugen Lichtbögen und können entzündliche Dämpfe entzünden).

Tauchen Sie die Einheit **NICHT** ein, um sie zu reinigen.

Betreiben Sie die Einheit **NICHT**, wenn Anzeichen für einen elektrischen oder mechanischen Schaden bestehen. Das mit diesem Produkt bereitgestellte Hauptstromkabel ist derart bewertet, dass es die elektrische Ladung unter den genannten Umweltbedingungen sicher handhaben kann. Wechseln Sie dieses Kabel **NICHT** gegen ein Hauptstromkabel mit einer unangemessenen.



Bewertung aus. Erdung – Schutzleiterterminal

Wechselstrom

## STANDARDS & BESTIMMUNGEN

Die Einhaltung der folgenden Standards und Bestimmungen wird durch die entsprechende Kennzeichnung auf dem Produkt angezeigt.

Kennzeichnung	Standards und Bestimmungen
	OHAUS Corporation erklärt, dass die SHRK-, SHWV-Serien der Shaker den Direktiven 2011/65/EU, 2014/30/EU, 2014/35/EU und den Standards EN 50581, EN 61010-1, EN 61010-2-051, EN 61326-1 entspricht. Der vollständige Text der EU-Konformitätserklärung ist unter der folgenden Internetadresse verfügbar: <a href="http://www.ohaus.com/ce">www.ohaus.com/ce</a> .
	Dieses Produkt entspricht der Direktive 2012/19/EU. Bitte entsorgen Sie dieses Produkt entsprechend lokalen Bestimmungen an Sammelpunkten, die für elektrische und elektronische Ausrüstungen spezifiziert sind. Für Anweisungen zur Entsorgung in Europa, siehe <a href="http://www.ohaus.com/weee">www.ohaus.com/weee</a> .
	EN 61326-1
	CAN/CSA C22.2 61010-1, CAN/CSA C22.2 61010-2-051 UL 61010-1, UL 61010-2-051

Allgemeine Mitteilung: Achtung: Dies ist ein Produkt der Klasse A. In einer häuslichen Umgebung kann dieses Produkt Funkinterferenzen hervorrufen, bei denen es erforderlich sein kann, dass angemessene Maßnahmen ergriffen werden müssen.

Mitteilung für Kanada: Dieses Digitalgerät der Klasse A entspricht Kanadas ICES-003.

FCC-Mitteilung: ANMERKUNG: Diese Ausrüstung wurde geprüft und hinsichtlich der Begrenzungen für ein Digitalgerät der Klasse A, gemäß Abschnitt 15 der FCC-Regeln als geeignet befunden. Diese Begrenzungen sind entworfen, um einen angemessenen Schutz gegen schädliche Störung zur Verfügung zu bieten, wenn die Ausrüstung in einer kommerziellen Umgebung betrieben wird. Diese Ausrüstung erzeugt und benutzt Hochfrequenzenergie und kann diese auch ausstrahlen. Wenn sie nicht in Übereinstimmung mit dem Bedienungshandbuch installiert und benutzt wird, kann dies zu schädlichen Interferenzen bei Funkverbindungen führen. Der Betrieb dieser Ausrüstung in einem Wohngebiet wird möglicherweise schädliche Interferenzen hervorrufen. In einem solchen Fall ist der Benutzer angewiesen, die Interferenz auf eigene Kosten zu beseitigen.

Veränderungen oder Modifikationen, die von Ohaus Corporation nicht ausdrücklich genehmigt werden, können die Befugnis des Benutzers, die Ausrüstung zu betreiben, unwirksam werden lassen.

## ANALOGER WIPP-/WELLENSCHÜTTLER-SPEZIFIKATIONEN



Wippschüttler

### Gesamtausmaße (L x B x H):

Wippsch: 16,8 x 11,0 x 5,5" (42,5 x 27,9 x 14,0cm)

Wellensch: 16,8 x 11,0 x 6,5" (42,5 x 27,9 x 16,5cm)

### Ausmaße der Plattform (L x B):

14 x 11" (35,5 x 27,9cm)

### Strom (50/60 Hz):

Wippsch: 120 volt, 15 watt  
230 volt, 15 watt

Wellensch: 120 volt, 25 watt  
230 volt, 25 watt

### Sicherungen:

5mm x 20mm, 5 amp schnell reagierend

### Geschwindigkeitsreichweite:

1 bis 75rpm\*

### Neigungswinkel:

Wippsch: 0 bis 15°\*

Wellensch: 0 bis 16°\*

### Gewichtskapazität:

Wippsch: 16lbs (7,3kg)\*\*

Wellensch: 5lbs (2,3kg)\*\*

### Timer:

1 Minute bis 120 Minuten

### Steuerungen:

siehe Seite 53

### Versandgewicht:

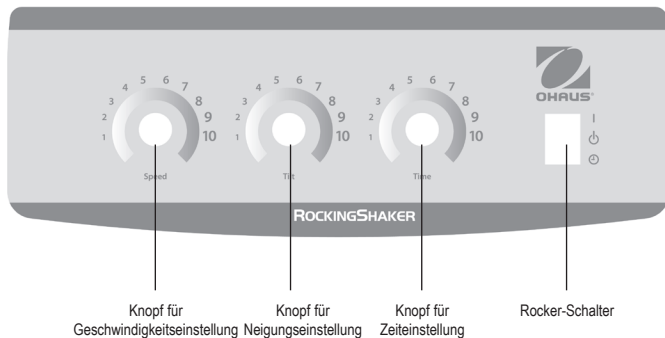
15,5lbs (7kg)

\* Die Maximalgeschwindigkeit/der Neigungswinkel kann bei schwerer oder nicht ausgeglichener Belastung variieren.

\*\* Auf der Schale zentriert.

## ANALOGER WIPP-/WELLENSCHÜTTLER-STEUERTAFEL

Die Fronttafel des Analog Rocker enthält alle Steuerungen und Anzeigen, die erforderlich sind, um die Einheit zu bedienen.



## ANALOGER WIPP-/WELLENSCHÜTTLER-BEDIENUNGSANLEITUNGEN


### 1. Vorbereitung:

- Der Wipper-Schalter sollte sich in der mittleren Standby-Position befinden.
- Stecken Sie das Stromkabel in die korrekt geerdete Steckdose. Die Schale in eine nahezu horizontale "Home"-Position bewegen, bevor die Einheit eingeschaltet wird.
- Geschwindigkeits- und Neigungstasten auf dem Eingabefeld zwischen 2 und 3 stellen.
- Rocker-Schalter auf die "I" On-Position drücken. Der Rocker wird sich automatisch einstellen und bei moderater Geschwindigkeit und Neigung den Betrieb aufnehmen.

### 2. Einstellung von Geschwindigkeit und Neigung:

- Drehen Sie die Geschwindigkeit- und Neigung-Knöpfe, um die gewünschten Einstellungen zu erreichen.

### 3. Einstellung der Zeit:

- Für den Betrieb im zeitlich begrenzten Modus, Timer, Geschwindigkeit- und Neigung-Knöpfe in die gewünschte Einstellung drehen.
- Rocker-Schalter in die  Time-Position drücken und loslassen.
- Die Einheit wird nun für die Dauer der eingestellten Zeit laufen.
- Um den Time-Modus zu verlassen, Rocker-Schalter hochdrücken und in die Mitte zurückbringen Standby-Position.

**HINWEIS:** Nach der Einstellung des Timers, bleibt jede weitere Zeiteinstellung wirkungslos. Um die Zeit zurückzusetzen, Time-Modus verlassen (siehe Schritt 3d oben) und neue Zeit mit Hilfe der obigen Schritte eingeben.

### TIPPS FÜR DEN BETRIEB:

Die Zentrierung Ihrer Probe und eine gleichmäßige Verteilung des Gewichts auf der Schale sorgt für Balance und Stabilität.

## DIGITALER WIPPSCHÜTLER-SPEZIFIKATIONEN



<b>Gesamtdimensionen (L x B x H):</b>	16,8 x 10,0 x 5,5" (42,5 x 25,4 x 14,0cm)
<b>Schalendimensionen (L x B):</b>	12,75 x 10" (32,4 x 25,4cm)
<b>Strom (50/60 Hz):</b>	120 volt: 25 watt 230 volt: 25 watt
<b>Sicherungen:</b>	5mm x 20mm, 5 Amp schnell reagierend
<b>Geschwindigkeitsreichweite:</b>	1 bis 50rpm *
<b>Geschwindigkeitsgenauigkeit:</b>	±1rpm
<b>Neigungswinkel:</b>	0 bis 15° *
<b>Timer:</b>	1 Sekunde bis 9999 Minuten (erhöht in Schritten von 1 Sekunde)
<b>Maximalgewichtskapazität:</b>	10lbs (4,5kg) **
<b>Steuerungen:</b>	siehe Seite 56
<b>Schalenmaterial:</b>	Aluminium
<b>Versandgewicht:</b>	15,5lbs (7kg)

\* Die Maximalgeschwindigkeit/der Neigungswinkel können bei schwerer oder nicht ausgeglichener Belastung variieren.

\*\* Auf der Schale zentriert.

Digitaler Wippschüttler mit Glas- und Plastikartikeln

## DIGITALER WELLENSCHÜTTLER-SPEZIFIKATIONEN



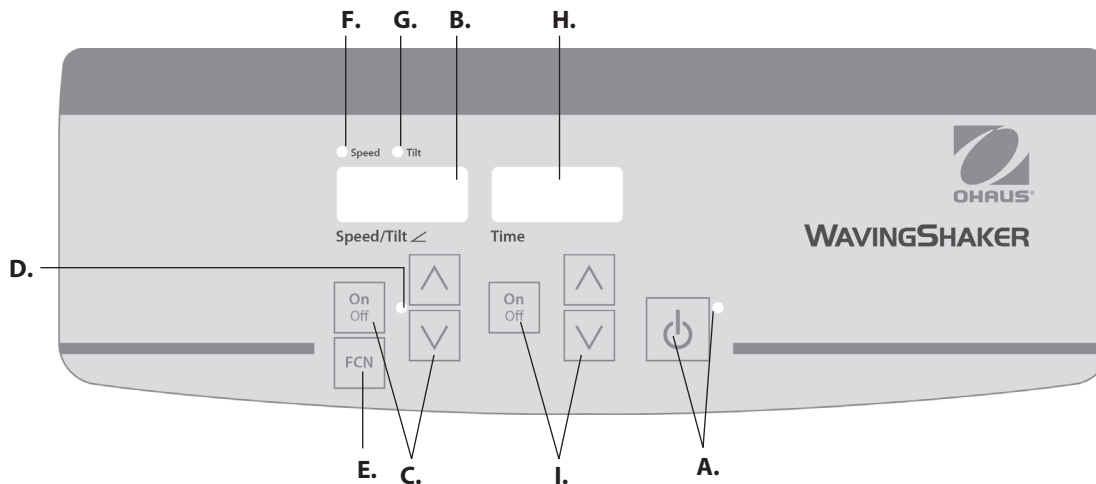
<b>Overall dimensions (L x W x H):</b>	17 x 11 x 6" (43,2 x 27,9 x 15,2cm)
<b>Schalendimensionen (L x B):</b>	11,75 x 8,75" (29,9 x 22,2cm)
<b>Strom (50/60 Hz):</b>	120 volt: 25 watt
	230 volt: 25 watt
<b>Sicherungen:</b>	5mm x 20mm, 5 Amp schnell reagierend
<b>Geschwindigkeitsreichweite:</b>	1 bis 30rpm *
<b>Geschwindigkeitsgenauigkeit:</b>	±1rpm
<b>Neigungswinkel:</b>	0 bis 20° *
<b>Timer:</b>	1 Sekunde bis 9999 Minuten (erhöht in Schritten von 1 Sekunde)
<b>Maximalgewichtskapazität:</b>	5lbs (2,3kg) **
<b>Steuerungen:</b>	siehe Seite 56
<b>Schalenmaterial:</b>	Aluminium
<b>Versandgewicht:</b>	16lbs (7,3kg)

\* Die Maximalgeschwindigkeit/der Neigungswinkel können bei schwerer oder nicht ausgeglichener Belastung variieren.

\*\* Auf der Schale zentriert.

Digitaler Wellenschüttler





## DIGITALER WIPP-/WELLENSCHÜTTLER-STEUERTAFEL

Die Vordertafel des Wipp-/Wellenschüttlers enthält alle Steuerungen und Anzeigen, die für den Betrieb der Einheit erforderlich sind.

- A. Standby-Taste/Standby-Anzeigelicht:** Das Standby-Anzeigelicht leuchtet auf, wenn die Einheit eingesteckt ist. Die Einheit befindet sich im Standby-Modus. Drücken Sie die Standby-Taste, um die Geschwindigkeits-/Neigungswinkel- und Zeitfunktionen zu aktivieren. Das Licht der Standby-Anzeige wird abgeschaltet und die Geschwindigkeits-/Neigungswinkel und Zeitanzeige leuchten auf. Drücken Sie die Standby-Taste erneut und die Einheit wird erneut im Standby-Modus sein.
- B. Geschwindigkeits-/Neigungswinkelanzeige:** Zeigt die Geschwindigkeit und den Neigungswinkel der Einheit an. **C.** Oben/unten-Pfeile für Einstellungssteuerungen: Oben/unten-Tasten starten/stoppen die Wipp-/Wellenfunktion. **D.** Das Geschwindigkeits-/Neigungswinkelanzeigelicht leuchtet, wenn die Einheit wippt/Wellenbewegungen ausführt.

- E. Funktionstaste:** Drücken, um die Funktion auszuwählen, die Sie einstellen: Geschwindigkeit oder Neigung.
- F. Geschwindigkeitsanzeigelampe:** Leuchtet, wenn die Geschwindigkeit angezeigt wird.
- G. Neigungsanzeigelampe:** Leuchtet, wenn der Neigungswinkel angezeigt wird.
- H. Zeitanzeige:** Zeigt die abgelaufene Zeit (ununterbrochenen Modus) an oder wie viel Zeit übrig ist (zeitgesteuerter Modus). Die Anzeigereichweite liegt zwischen 0 und 9.999 Minuten in ein-(1)-sekündigen Intervallen. Die Anzeige zeigt die Minuten und Sekunden an, bis 99 Minuten und 59 Sekunden (99:59) erreicht werden, dann wird die Anzeige automatisch Minuten bis 9.999 anzeigen.
- I.** Oben/unten-Pfeile für die Einstellungssteuerung. Die Ein-/Austaste startet/stoppt die Zeitfunktion.

## DIGITALER WIPP-/WELLENSCHÜTTLER BETRIEBSANWEISUNGEN

Die Wipp-/Wellenschüttler wurden so konzipiert, dass die Geschwindigkeits-/Neigungswinkel- und Zeitfunktionen unabhängig voneinander funktionieren. Die Geschwindigkeit/der Neigungswinkel kann zurückgesetzt werden, ohne den Timer zurückzusetzen und der Timer kann gestoppt und gestartet werden, ohne die Wipp-/Wellenschüttler-Funktion zu unterbrechen.

### 1. Vorbereiten:

- a. Stecken Sie das Stromkabel in die korrekt geerdete Steckdose. Das Licht der Standby-Anzeige leuchtet auf; die Stromzufuhr zur Einheit wird bestätigt. Bewegen Sie die Schale manuell in eine nahezu horizontale "Home"-Position, bevor Sie die Einheit einschalten.
- b. Drücken Sie die Standby-Taste, um die Einheit vom Standby-Modus zu bewegen. Das Licht der Standby-Anzeige wird abgeschaltet und die Anzeigen für Geschwindigkeit/Neigungswinkel und Zeit leuchten auf, und zeigen die zuvor benutzten Einstellungen an.



2. **Einstellen des Neigungswinkels:** Die elektronische Neigung ermöglicht es, dass der Benutzer den Winkel der Schale der Bewegung anpasst, während die Einheit wippt/sich wellenartig bewegt oder während die Einheit stillsteht.

- a. Drücken Sie die Funktionstaste unter der Geschwindigkeits-/Neigungswinkelanzeige, bis das Licht der Neigungsanzeige aufleuchtet. Sie sind nun bereit, den Neigungswinkel einzustellen.
- b. Drücken Sie die oben/unten-Pfeile unter der Geschwindigkeits-/Neigungswinkelanzeige, bis Sie den gewünschten Winkel erreichen. Wenn Sie den Knopf loslassen, wird die Anzeige erst aufhören zu blinken, und dann erneut aufblinken und so anzeigen, dass der neu eingestellte Winkel akzeptiert wurde. Die Einheit wird eine Drehung im zuvor eingestellten Winkel vollziehen, dann sanft in den neu programmierten Winkel wechseln. Das Licht der Neigungswinkelanzeige leuchtet, bis der Übergang zum neuen Neigungswinkel abgeschlossen ist.

### 3. Einstellen der Geschwindigkeit:

- a. Drücken Sie die Funktionstaste unter der Geschwindigkeits-/Neigungswinkelanzeige, bis das Licht der Geschwindigkeitsanzeige aufleuchtet. Sie sind nun bereit, die Geschwindigkeit einzustellen.
- b. Drücken Sie die oben/unten-Pfeile unter der Geschwindigkeits-/Neigungswinkelanzeige, bis Sie die gewünschte Geschwindigkeit erreichen. Wenn Sie die Taste loslassen, blinkt die Anzeige auf und ab, um anzuzeigen, dass die neue Geschwindigkeit eingestellt wurde.

- c. Drücken Sie die Ein/Aus-Taste, um die Wipp-/Wellenfunktion zu starten. Das Anzeigelicht unter der Geschwindigkeits-/Neigungswinkelanzeige leuchtet auf und blinkt, bis der Einstellpunkt erreicht wird. Sobald der Einstellpunkt erreicht wird, hört das Licht auf zu blinken und leuchtet weiter, bis das Wippen/die wellenartige Bewegung eingestellt wird.
- d. Um die Wipp-/Wellenfunktion zu beenden, drücken Sie die Ein/Aus-Taste unter der Geschwindigkeits-/Neigungswinkelanzeige. Die Einheit wird eine vollständige Drehung absolvieren und dann in der horizontalen "Home"-Position halten. Das Licht der Geschwindigkeitsanzeige leuchtet auf, bis die Drehung abgeschlossen ist. Wenn der Zyklus abgeschlossen ist, wird die Einheit automatisch in den Standby-Modus übergehen und das Standby-Anzeigelicht leuchtet auf.

### BETRIEBSTIPPS

Wenn die Einheit bei langsamen Geschwindigkeiten oder hohen Winkeln läuft, kann die Durchführung von großen Veränderungen am Neigungswinkel oder an der Geschwindigkeit mehrere Minuten in Anspruch nehmen. Der schnellste Weg, große Veränderungen vorzunehmen besteht darin, die Einheit anzuhalten, die Geschwindigkeit oder den Neigungswinkel zu ändern, und dann durch Drücken der Ein/Aus-Taste unter der Geschwindigkeits-/Neigungswinkelanzeige erneut zu starten.

### 4. Zeit auf Null (0:00) einstellen und ununterbrochener Modus: Abgelaufene Zeit.

- a. Drücken und halten Sie die Ein/Aus-Taste unter der Zeitanzeige. Nach drei (3) Sekunden zeigt die Anzeige die zuvor eingestellte Zeit an.
- b. Drücken Sie gleichzeitig den oben- und unten-Pfeil, die Anzeige zeigt Null (0:00) an. Die Zeit der Einheit ist nun auf Null (0:00) Minuten eingestellt. Alternativ können Sie die oben/unten-Pfeile benutzen, um auf Null (0:00) zu gelangen.
- c. Drücken Sie die Ein/Aus-Taste unter der Zeitanzeige. Die Anzeige zeigt die abgelaufene Zeit an. Die oben/unten-Pfeile werden inaktiv. Um den Timer anzuhalten, drücken Sie die Ein/Aus-Taste erneut. WICHTIG: Dies wird die Wipp-/Wellenfunktion NICHT unterbrechen. Drücken Sie auf die Ein/Aus-Taste unter der Geschwindigkeits-/Neigungswinkelanzeige, um die Wipp-/Wellenfunktion zu unterbrechen.
- d. Um die Einstellung zurückzusetzen, drücken und halten Sie die Ein/Aus-Taste unter der Zeitanzeige. Nach drei (3) Sekunden, zeigt die Anzeige die zuvor eingestellte Zeit, die Null (0:00) war.

## DIGITALER WIPP-/WELLENSCHÜTTLER (FORTSETZUNG)

### 5. Einstellen des Zeitmodus: Programmierte Zeit.

- a. Drücken Sie die oben/unten Pfeile unter der Zeitanzeige bis Sie die gewünschte Zeit erreichen.
- b. Starten Sie diese Funktion, indem Sie die Ein-/Aus-Taste unter der Zeitanzeige drücken. Die Einheit wird für die ausgewählte Zeit laufen, die oben/unten Pfeile werden inaktiv, wenn der Timer läuft. Die Einheit hört auf zu wippen/sich wellenartig zu bewegen, wenn die Zeitanzeige Null(0:00) erreicht. Vier (4) hörbare Piepser zeigen an, dass die Countdown-Funktion abgeschlossen ist. Die Zeitanzeige wird standardgemäß auf die eingestellte Zeit zurückgesetzt. Um für die gleiche Zeit zu wiederholen, drücken Sie einfach erneut die Ein/Aus-Taste.
- c. Um einen automatischen Timing-Zyklus zu unterbrochen, bevor er abgeschlossen ist, drücken Sie die Ein/Aus-Taste unter der Zeitanzeige. Die Zeitanzeige wird auf- und ableuchten, um anzuzeigen, dass die Zeit-Funktion in "Halte"-Position ist. WICHTIG: Dies wird die Wipp-/Wellenfunktion NICHT unterbrechen. Drücken Sie auf die Ein/Aus-Taste unter der Geschwindigkeits-/Neigungswinkelanzeige, um die Wipp-/Wellenfunktion zu unterbrechen. Starten Sie den Timer erneut, indem Sie auf die Ein/Aus-Taste unter der Zeitanzeige drücken. Die Einheit wird bis auf Null (0:00) herunterzählen. Wenn die Anzeige Null (0:00) erreicht, werden Sie vier (4) hörbare Piepstöne hören, die anzeigen, dass die Countdown-Funktion abgeschlossen ist, und die Wipp-/Wellenfunktion wird aufhören.

### 6. Ausschalten der Einheit:

- a. Um die Einheit auszuschalten, drücken Sie den Standby-Knopf. Die Geschwindigkeits-/Neigungswinkel- und Zeitanzeigen sind leer, die Standby-Anzeige leuchtet auf. Der Wipp-/Wellenschüttler sollte im Standby-Modus gehalten werden, wenn er nicht verwendet wird. Um die Stromzufuhr zur Einheit komplett abzuschalten, trennen Sie das Stromkabel von der Einheit oder ziehen Sie es von der Steckdose.

### BETRIEBSTIPPS

Als eine Sicherheitseigenschaft wird ein eingebautes Programm den Motor abschalten, falls die Schale davon abgehalten wird zu wippen/sich wellenartig zu bewegen oder die Einheit über die empfohlene Gewichtskapazität hinaus überladen wird.

Ein eingebauter Speicher bewahrt die zuletzt benutzte Geschwindigkeits-/Neigungswinkel- und Zeiteinstellungen während einer Stromunterbrechung.

## PROBLEMBEHEBUNG ANALOGER WIPP-/WELLENSCHÜTTLER

Wenn die Bewegung der Schale behindert wird, oder die Einheit mechanisch überladen ist, wird die Einheit piepe und versuchen die kontrollierte Wippbewegung erneut herzustellen. Wenn die Einheit sich nicht selbst wiederherstellen kann, trennen Sie das Stromkabel, verringern Sie die Ladungs-, Geschwindigkeits- oder Neigungsenstellung und wiederholen Sie den Durchgang.

## PROBLEMBEHEBUNG DIGITALER WIPP-/WELLENSCHÜTTLER

Problem	Ursache	Lösung
E03	Mechanisches Hindernis Angehaltener Motor Antriebsriemen gebrochen	<p>Der E03-Fehler kann vom Benutzer angegangen werden. Drücken Sie den Standby-Knopf, um diesen Fehler zu beheben. Wenn der E03-Fehler andauert, zusammen mit Schleif-, Klopf- oder Reibegeräusche, ziehen Sie die Einheit aus dem Stecker und nehmen Sie mit Ihrem Ohaus-Vertreter zwecks Reparatur Kontakt auf.</p> <p>Für den Fall eines fehlerhaften E03-Fehlers, wie z.B. jemand, der aus Versehen, die Plattformschale berührt, während die Einheit in Betrieb ist, geht die Einheit automatisch in die horizontale "Home"-Position und startet erneut. Im Falle eines Hindernisses, der unter der Schale vergessen wird, das dazu führen würde, dass die Einheit ständig von neuem startet, wird die Einheit versuchen, vier (4) mal automatisch in die Home-Position zu gehen, erneut zu starten und dann anzuhalten, unter Anzeige eines E03-Fehlers. Dieser Fehler kann behoben werden, indem der Benutzer den Standby-Knopf drückt.</p>
E04	Maximale Belastung überschritten	<p>Der E04-Fehler kann vom Benutzer angegangen werden. Drücken Sie den Standby-Knopf, um diesen Fehler zu beheben. Stellen Sie sicher, dass die Ladung sich innerhalb der maximalen Ladespezifikation befindet, bevor Sie die Einheit erneut starten. Wenn der E04-Code andauert, ziehen Sie die Einheit aus dem Stecker und setzen Sie sich für Reparaturen mit Ihrem Ohaus-Vertreter in Verbindung.</p>



Manual de instruções

Agitad, oscil, 1 fileira, SHRK07AL1

Agitad, oscil, 2 fileiras, SHRK07AL2

Agitador, oscilante, SHRK04DG

Agitador, martelagem, SHWV02AL

Agitador, martelagem, SHWV02DG

EN - English	1
FR - Français	12
ES - Español	24
IT - Italiano	36
DE - Deutsch	48
PT - Português	60
NL - Nederlands	65
NO - Norsk	70
DA - Dansk	75
SV - Svenska	80
FI - Suomi	85
HU - Magyar	90
PL - Polski	95
CZ - Czech	100
KR - Korean	105
JP - Japanese	117



## INSTRUÇÕES DE SEGURANÇA

Leia o manual de instruções antes de operar a unidade de balanço/ondulação. Agitador.



**ADVERTÊNCIA! NÃO** utilize o agitador de balanço/ondulação numa atmosfera perigosa ou com materiais perigosos para os quais o aparelho não foi concebido. Além disso, o utilizador deve estar ciente de que a proteção fornecida pelo equipamento poderá ser prejudicada se for utilizada com acessórios não fornecidos ou recomendados pelo fabricante ou se forem utilizados de uma forma não especificada pelo fabricante.

Opere sempre a unidade numa superfície plana para um melhor desempenho e segurança máxima.

**NÃO** levante a unidade pela bandeja.



**ATENÇÃO!** Para evitar choque elétrico, corte completamente a energia da unidade desligando o cabo de alimentação da unidade ou desconectando-o da tomada de parede. Desligue a unidade da fonte de alimentação antes da manutenção e reparação.

Os derramamentos devem ser removidos de imediato. Os derramamentos de risco biológico devem ser limpos utilizando procedimentos laboratoriais aprovados. Os derramamentos de solventes representam um perigo de incêndio. Desligue imediatamente a unidade e **NÃO** opere até que a limpeza seja concluída e os vapores tenham sido dissipados (as escovas do motor podem sofrer arco elétrico e podem incendiar vapores inflamáveis). Não imerja a unidade para limpeza.

**NÃO** opere a unidade se mostrar sinais de danos elétricos ou mecânicos.

O cabo de alimentação principal fornecido com este produto está classificado para lidar com segurança com a carga elétrica dos produtos nas condições ambientais estabelecidas. **NÃO** substitua o cabo por um cabo de alimentação principal inadequadamente classificado.







Ligação à terra - terminal condutor de proteção



Corrente alternada

## NORMAS E REGULAMENTOS

A conformidade com as seguintes normas e regulamentos está indicada pela marca correspondente no produto.

Marca	Normas e regulamentos
	A OHAUS Corporation declara que os agitadores da série SHRK, SHWW cumprem as diretivas 2011/65/UE, 2014/30/UE, 2014/35/UE e as normas EN 50581, EN 61010-1, EN 61010-2-051, EN 61326-1. O texto completo da declaração de conformidade da UE está disponível no seguinte site: <a href="http://www.ohaus.com/ce">www.ohaus.com/ce</a> .
	Este produto está em conformidade com a diretiva 2012/19/UE. Elimine este produto de acordo com os regulamentos locais no ponto de recolha especificado para o equipamento elétrico e eletrónico. Para obter instruções de eliminação na Europa, consulte <a href="http://www.ohaus.com/weee">www.ohaus.com/weee</a> .
	EN 61326-1
	CAN/CSA C22.2 61010-1, CAN/CSA C22.2 61010-2-051 UL 61010-1, UL 61010-2-051

### Notificação global

Atenção: este é um produto de classe A. Num ambiente doméstico, este produto pode causar interferência de rádio, caso em que o utilizador pode ser obrigado a tomar medidas adequadas.

### Notificação no Canadá

Este aparelho digital de classe A cumpre a norma canadiana ICES-003.

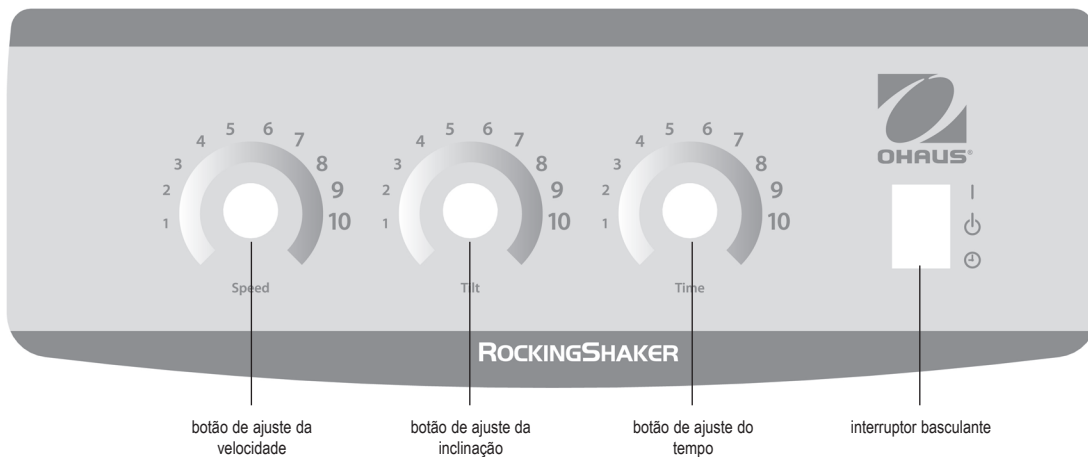
### Aviso da FCC

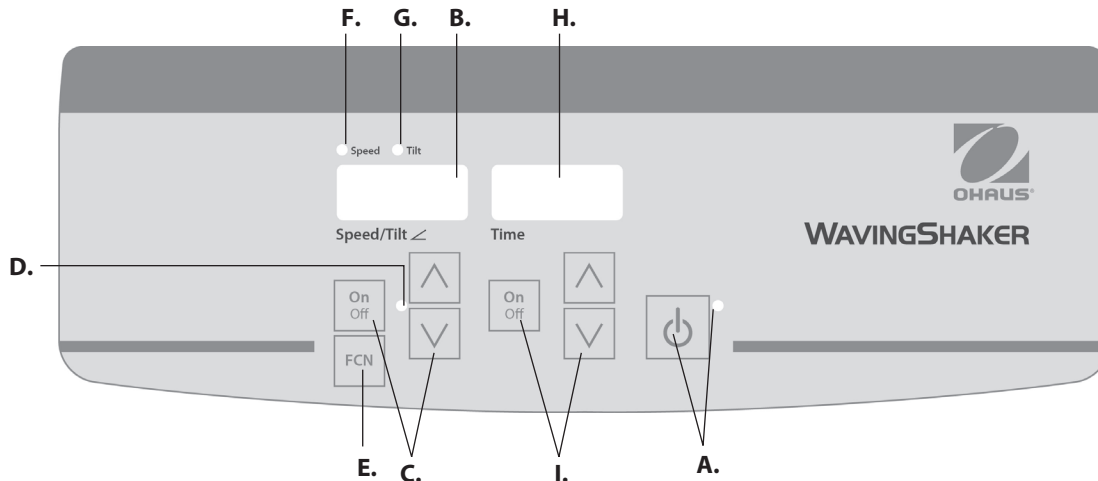
NOTA: este equipamento foi testado e encontra-se em conformidade com os limites de um dispositivo digital de classe A, de acordo com a parte 15 das regras da FCC. Estes limites destinam-se a fornecer proteção razoável contra interferência prejudicial quando o equipamento é operado num ambiente comercial. Este equipamento gera, utiliza e pode irradiar energia de radiofrequências e, se não for instalado e utilizado de acordo com o manual de instruções, pode causar interferência prejudicial a comunicações por rádio. A operação deste equipamento numa área residencial pode causar interferência prejudicial, caso em que o utilizador será obrigado a corrigir a interferência às suas próprias custas.

As alterações ou modificações não expressamente aprovadas pela Ohaus Corporation podem anular a autoridade do utilizador para operar o equipamento.

## PAINEL DE CONTROLO DO AGITADOR DE BALANÇO/ONDULAÇÃO ANALÓGICO

O painel frontal do agitador de balanço analógico contém todos os controlos e visores necessários para operar a unidade.





## PAINEL DE CONTROLO DIGITAL DO AGITADOR DE BALANÇO/ONDULAÇÃO

O painel frontal do agitador de balanço/ondulação contém todos os controlos e visores necessários para operar a unidade.

**A. Luz indicadora de espera/botão de espera:** A luz indicadora de espera acende-se quando o aparelho está ligado. A unidade estará no modo de espera. Prima o botão de espera para ativar as funções de velocidade/ângulo de inclinação e de tempo. A luz indicadora de espera desliga-se e o visor de velocidade/ângulo de inclinação e de tempo acende-se. Prima o botão de espera novamente e a unidade ficará mais uma vez no modo de espera.

**B. Visor de velocidade/ângulo de inclinação:** Apresenta a velocidade e o ângulo de inclinação da unidade. **C.** Setas para cima/baixo para controlo do ponto de ajuste. O botão ligar/desligar liga/desliga a função de balanço/ondulação. **D.** A luz indicadora da velocidade/do ângulo de inclinação acende-se quando a unidade está a balançar/ondular.

**E. Botão de função:** prima para escolher a função que está a definir: velocidade ou inclinação.

**F. Luz indicadora de velocidade:** acende-se quando a velocidade é apresentada.

**G. Luz indicadora de inclinação:** acende-se quando o ângulo de inclinação é apresentado.

**H. Visor de tempo:** mostra o tempo acumulado (modo contínuo) ou o tempo restante (modo cronometrado). O intervalo de exibição é de 0 a 9.999 minutos em incrementos de um (1) segundo. O visor indicará minutos e segundos até que o temporizador atinja 99 minutos e 59 segundos (99:59) e o visor irá apresentar automaticamente minutos até 9.999.

**I.** Setas para cima/baixo para controlo do ponto de ajuste. O botão ligar/desligar liga/desliga a função de tempo.



## RESOLUÇÃO DE PROBLEMAS NA UNIDADE DE BALANÇO/OSCILAÇÃO ANALÓGICA

Se o movimento da bandeja estiver obstruído ou se a unidade estiver mecanicamente sobrecarregada, a unidade emite um sinal sonoro e tenta repor o movimento de balanço controlado. Se a unidade não conseguir recuperar sozinha, desligue o cabo de alimentação, reduza a carga, a velocidade ou a inclinação e repita o ciclo.

## RESOLUÇÃO DE PROBLEMAS NA UNIDADE DE BALANÇO/OSCILAÇÃO DIGITAL

Problema	Causa	Solução
E03	Obstrução mecânica O motor parou Correia de transmissão partida	<p>O erro E03 pode ser corrigido pelo utilizador. Prima o botão de espera para limpar este erro. Se o erro E03 persistir, além de ruídos de trituração, pancada ou fricção esfregando ruídos, desligue a unidade da tomada e contacte o representante da Ohaus para reparação.</p> <p>No caso de um erro E03 errante como, por exemplo, alguém que toque inadvertidamente na bandeja da plataforma enquanto a unidade estiver a funcionar, a unidade vai automaticamente para a posição “inicial” horizontal e reinicia. No caso de obstrução sob a bandeja, o que faria com que a unidade reiniciasse continuamente, a unidade tenta voltar à posição inicial e reinicia quatro (4) vezes. Em seguida, para de funcionar, apresentando um erro E03. Este erro pode ser limpo pelo utilizador premindo o botão de espera.</p>
E04	Carga máxima excedida	<p>O erro E04 pode ser corrigido pelo utilizador. Prima o botão de espera para limpar este erro. Certifique-se de que a carga está dentro da especificação de carga máxima antes de reiniciar a unidade. Se o erro E04 persistir, desligue a unidade da tomada e contacte o representante da Ohaus para reparação.</p>



Instructiehandleiding

Shaker, Schommelend, SHRK04DG

Shaker, Schommelend, 1 poot, SHRK07AL1

Shaker, Schommelend, 2 poot, SHRK07AL2

Shaker, Zwaaiend, SHWV02AL

Shaker, Zwaaiend, SHWV02DG

EN - English	1
FR - Français	12
ES - Español	24
IT - Italiano	36
DE - Deutsch	48
PT - Português	60
NL - Nederlands	65
NO - Norsk	70
DA - Dansk	75
SV - Svenska	80
FI - Suomi	85
HU - Magyar	90
PL - Polski	95
CZ - Czech	100
KR - Korean	105
JP - Japanese	117



## VEILIGHEIDSIINSTRUCTIES

Lees de volledige instructiehandleiding voordat u de schommelende/zwaaiende Shaker bedient.



**WAARSCHUWING! GEBRUIK** Schommelende/Zwaaiende Shaker NIET in een explosiegevaarlijke omgeving of met gevaarlijke stoffen waarvoor het apparaat niet is ontworpen. Bovendien moet de gebruiker zich realiseren dat de bescherming geboden door de apparatuur kan worden aangetast, indien gebruikt in combinatie met accessoires die niet zijn verstrekt of aanbevolen door de fabrikant, dan wel gebruikt op een manier die niet door de fabrikant is opgegeven.

Gebruik de unit altijd op een vlakke ondergrond voor optimale prestaties en maximale veiligheid.

**NIET** optillen aan het plateau.



**LET OP!** Ter voorkoming van elektrische schokken, de stroom naar het apparaat volledig uitschakelen door het netsnoer van het apparaat los te koppelen of de stekker uit het stopcontact te halen. Koppel het apparaat los van de voeding voor onderhoud en repar.

Morsingen moeten snel worden verwijderd. Geknoei met biorisico moet worden opgeruimd volgens goedgekeurde laboratoriumprocedures. Gemorst oplosmiddel is brandgevaarlijk. Stop de unit onmiddellijk, en NIET mee werken tot het opruimen is voltooid en dampen verdwenen zijn (motorborstelboog en kan ontvlambare dampen ontsteken).

**DOMPEL** het apparaat **NIET ONDER** om het apparaat te reinigen.

Laat de machine **NIET** werken als er tekenen zijn van elektrische of mechanische schade.

Het bij dit product meegeleverde netsnoer van de hoofdvoeding is geschikt voor het veilig omgaan met de elektrische belasting van het product onder de opgegeven omgevingsomstandigheden. **NIET** dit snoer vervangen met een hoofdsnoer met onvoldoende beoordeling.





Aarding – aardingsklem



Wisselstroom

## NORMEN & REGELEMENTEN

De naleving van de volgende normen en voorschriften wordt aangegeven door de bijbehorende markering op het product.

Markering	Normen en reglementen
	OHAUS Corporation verklaart dat de Shakers uit de serie SHRK, SHWV voldoen aan de richtlijnen 2011/65/EU, 2014/30/EU, 2014/35/EU en de normen EN 50581, EN 61010-1, EN 61010-2-051, EN 61326-1. De volledige tekst van de EU-verklaring van conformiteit is beschikbaar op het volgende internetadres: <a href="http://www.ohaus.com/ce">www.ohaus.com/ce</a> .
	Dit product voldoet aan richtlijn 2012/19/EU. Lever dit product in overeenstemming met de lokale regelgeving in bij het inzamelpunt voor elektrische en elektronische apparatuur. Voor instructies voor verwijdering in Europa, raadpleeg <a href="http://www.ohaus.com/weee">www.ohaus.com/weee</a> .
	EN 61326-1
	CAN/CSA C22.2 61010-1, CAN/CSA C22.2 61010-2-051 UL 61010-1, UL 61010-2-051

Globale mededeling

Waarschuwing: Dit is een product van Klasse A. In een woonomgeving kan dit product radio interferentie veroorzaken, in welk geval de gebruiker dan gepaste maatregelen moet nemen.

Mededeling voor Canada

Dit digitale apparaat uit Klasse A voldoet aan de Canadese norm ICES-003.

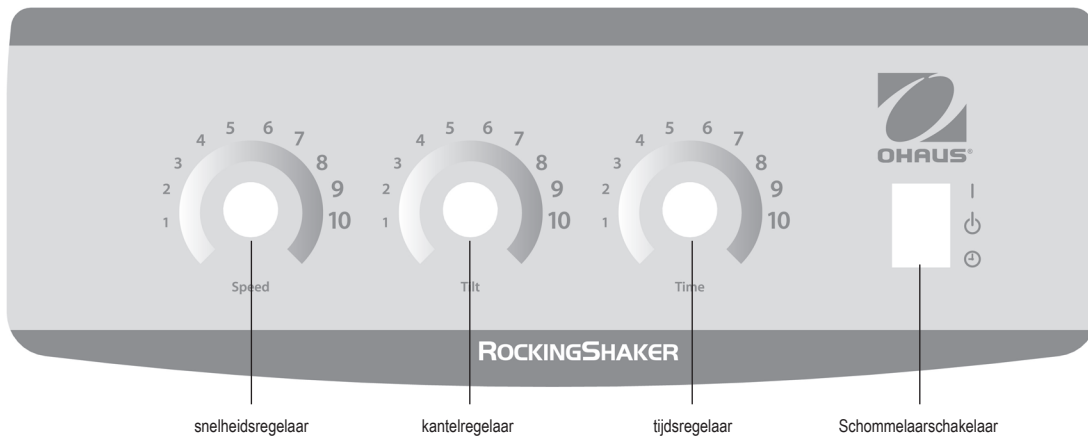
Mededeling FCC

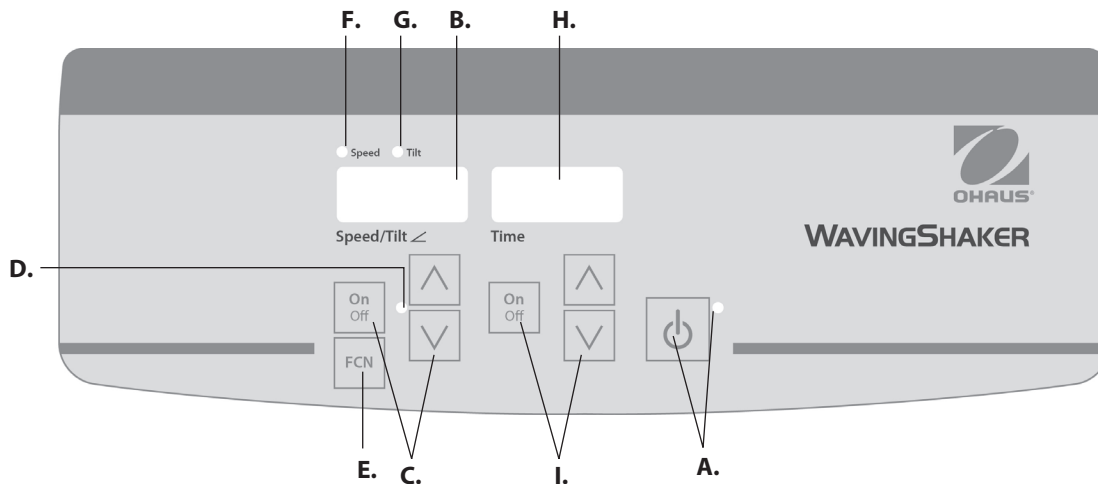
**OPMERKING:** Deze apparatuur is getest en voldoet aan de limieten voor een digitaal apparaat uit klasse A, overeenkomstig deel 15 van de FCC-regels. Deze limieten zijn opgesteld om een redelijke bescherming te bieden tegen schadelijke storing wanneer de apparatuur wordt gebruikt in een commerciële omgeving. Deze apparatuur genereert, gebruikt en kan radiofrequente energie uitstralen en kan, indien niet geïnstalleerd en gebruikt in overeenstemming met de instructies, kan schadelijke interferentie met radiocommunicatie veroorzaken. Gebruik van deze apparatuur in een woongebied veroorzaakt waarschijnlijk schadelijke signaalstoringen. In dat geval dient de gebruiker de storingen op eigen kosten te verhelpen.

Bij wijzigingen of aanpassingen die niet uitdrukkelijk zijn goedgekeurd door Ohaus Corporation, is de gebruiker mogelijk niet langer gemachtigd het apparaat te gebruiken.

## ANALOGE SCHOMMELENDE/ZWAAIENDE SHAKER BEDIENINGSPANEEL

Het voorpaneel van de Analoge Schommelaar bevat alle bedieningsapparatuur en displays die nodig zijn om het apparaat te bedienen.





## DIGITALE SCHOMMEL/ZWAAI SHAKER BEDIENINGSPANEEL

Het voorpaneel van de Schommelende/Zwaaierende Shaker bevat alle bedieningsapparatuur en displays die nodig zijn om het apparaat te bedienen.

**A. Stand-by knop/stand-by indicatielampje:** Het stand-by indicatielampje gaat branden wanneer het apparaat wordt aangesloten. Het apparaat staat in de stand-by-modus. Druk op de stand-by knop om de snelheidsfunctie, kantelhoek en tijdfuncties te starten. De stand-by-indicator wordt uitgeschakeld en de snelheid/kantelhoek display en tijdswaergave gaan branden. Druk nogmaals op de stand-by knop en de unit zal weer in de stand-by-modus staan.

**B. Snelheid/kantelhoek display:** Toont de snelheid en de kantelhoek van de unit.  
**C.** Pijltjes omhoog/omlaag voor setpoint controle. Aan/uitknop begint/stopt de schommel/zwaai functie. **D.** Het indicatielampje voor snelheid/kantelhoek gaat branden wanneer het apparaat aan het schommelen/zwaaien is.

**E. Functietoets:** Druk om de functie te kiezen die u instelt: snelheid of kantelen.

**F. Snelheid indicatielamp:** Gaat branden wanneer de snelheid wordt weergegeven.

**G. Kantel indicatielamp:** Gaat branden wanneer de kantelhoek wordt weergegeven.

**H. Tijdweergave:** Geeft de totale tijd weer (continu modus) of hoeveel tijd er nog overblijft (getimedede modus). Het weergavebereik ligt tussen 0 tot 9999 minuten in stappen van één (1) seconde. Het display geeft de minuten en seconden weer totdat de timer 99 minuten en 59 seconden (99:59) bereikt, daarna zal de display automatisch minuten weergeven tot 9999.

**I.** Pijltjes omhoog/omlaag voor setpoint controle. Aan/uitknop begint/stopt tijdfunctie.

## PROBLEEMOPSPORING ANALOGE SCHOMMELAAR/ZWAAIER

Als het plateau geblokkeerd is of de unit is mechanisch overbelast, gaat de unit piepen en probeert de gecontroleerde schommelbeweging te herstellen. Indien de unit niet kan herstellen, het netsnoer loskoppelen, verminder de belasting, snelheid of kantelstand en herhaal de run.

## PROBLEEMOPSPORING DIGITALE SCHOMMELAAR/ZWAAIER

Probleem	Oorzaak	Oplossing
E03	Mechanische blokkering Motor gestopt Aandrijfriem kapot	De E03 fout kan verholpen worden door de gebruiker. Druk op de stand-by knop om deze fout te herstellen. Als de E03 foutcode aanhoudt, samen met slijpende, stotende of wrijvende geluiden, haal dan de stekker van het apparaat eruit en neem contact op met uw Ohaus vertegenwoordiger voor reparaties.  In het geval van een dolende E03 fout, zoals wanneer iemand onbedoeld het platform plateau aanraakt terwijl de unit actief is, zal de unit automatisch naar de horizontale "uitgangs"positie gaan en opnieuw starten. In het geval van een obstructie die overblijft onder het plateau waardoor de unit voortdurend opnieuw start, zal de unit vier (4) keer proberen automatisch naar de uitgangspositie te gaan en opnieuw te starten en dan stoppen en een E03 fout weergeven. Deze fout kan door de gebruiker worden verwijderd door op de knop stand-by te drukken.
E04	Maximale draagvermogen overschreden	De E04 fout kan verholpen worden door de gebruiker. Druk op de stand-by knop om deze fout te herstellen. Zorg ervoor dat de lading binnen de maximale belastingspecificatie valt voor herstarten van de unit. Als de E04 foutcode aanhoudt, haal de stekker van het apparaat eruit en neem contact op met uw Ohaus vertegenwoordiger voor reparaties.



Instruksjonsmanual

Shaker, Pendlende, SHRK04DG

Shaker, Pendlende, 1 Tier, SHRK07AL1

Shaker, Pendlende, 2 Tier, SHRK07AL2

Shaker, Waving, SHWV02AL

Shaker, Waving, SHWV02DG

EN - English	1
FR - Français	12
ES - Español	24
IT - Italiano	36
DE - Deutsch	48
PT - Português	60
NL - Nederlands	65
NO - Norsk	70
DA - Dansk	75
SV - Svenska	80
FI - Suomi	85
HU - Magyar	90
PL - Polski	95
CZ - Czech	100
KR - Korean	105
JP - Japanese	117



## SIKKERHETSINSTRUKSJONER

Les hele instruksjonsmanualen før bruk av Pendlende/Waving Shaker.



**ADVARSEL! BRUK IKKE** Pendlende/Waving Shaker i farlige atmosfærer eller farlige materialer enheten ikke var designet for. Brukeren bør også være klar over at beskyttelsen til utstyret kan svekkes dersom det brukes med tilbehør ikke forsynt eller anbefalt av produsenten, eller brukt på noen annen måte enn den spesifisert av produsenten.

Operer alltid enheten på en flat overflate for best ytelse og sikkerhet.

**LØFT IKKE** enheten fra brettet.



**ADVARSEL!** For å unngå elektrisk sjokk, kutt strømmen til enheten helt ved å koble fra strømledningen fra enheten eller ta stikkkontakten ut av støpselet. Koble enheten fra strømforsyning før vedlikehold og service.

Spill burde fjernes umiddelbart. Spill av biologisk risiko bør rengjøres i henhold til godkjente laboratorieprosedyrer. Spill av løsemiddel er en brannrisiko. Stopp enheten umiddelbart, og start den **IKKE** før rengjøringen er utført og damp har oppløst (motoren børster buen og kan antenne brennbar damp).

**IKKE** senk denne enheten under vann for rengjøring.

**BRUK IKKE** enheten dersom den viser tegn til mekanisk eller elektrisk skade.

Hovedstrømledningen som følger med dette produktet kan trygt håndtere produktets elektriske last under de spesifiserte betingelsene. **IKKE** erstatt denne ledningen med en tilstrekkelig hovedledning.







Jordforbindelse – Verneleder-terminal



Vekselstrøm

## STANDARDER & FORSKRIFTER

Samsvar med de følgende standarder og forskrifter er indikert med korresponderende merking på produktet.

Merke	Standarder og forskrifter
	OHAUS Corporation erklærer at SHRK, SHWV-series shakere samsvarer med direktiv 2011/65/EU, 2014/30/EU, 2014/35/EU og standarder EN 50581, EN 61010-1, EN 61010-2-051, EN 61326-1. Full tekst for EUs deklarasjon om konformitet er tilgjengelig på følgende Internettadresse: <a href="http://www.ohaus.com/ce">www.ohaus.com/ce</a> .
	Dette produktet samsvarer med direktiv 2012/19/EU. Kvitt deg med dette produktet I samsvar med lokale forskrifter på merket henteplass for elektrisk og elektronisk utstyr. For avfallshåndtering i Europa, se <a href="http://www.ohaus.com/weee">www.ohaus.com/weee</a> .
	EN 61326-1
	CAN/CSA C22.2 61010-1, CAN/CSA C22.2 61010-2-051 UL 61010-1, UL 61010-2-051

Globalt varsel

Advarsel: Dette er et Klasse A produkt. Dette produktet kan forårsake radioforstyrrelser I et hjemmemiljø, hvor brukeren kan se seg nødt til å foreta tilstrekkelige tiltak.

Canada varsel

Dette Klasse A apparatet samsvarer med Canadian ICES-003.

FCC varsel

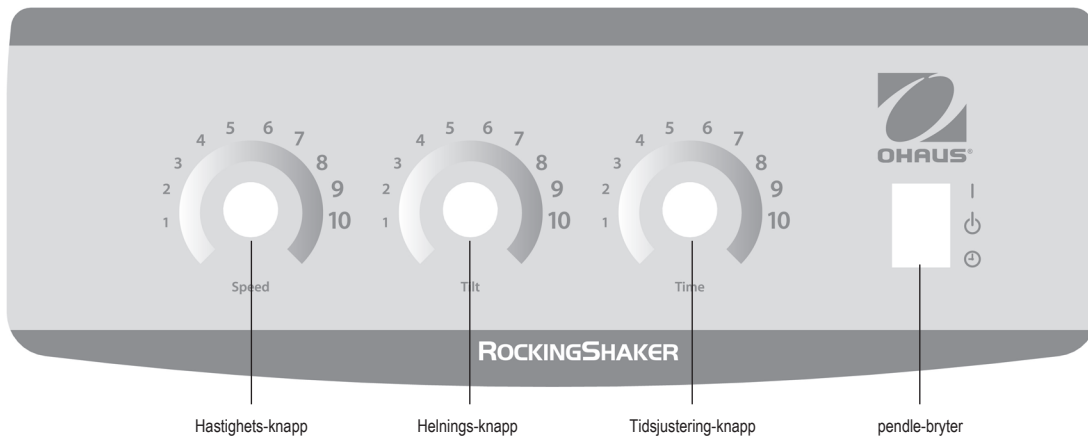
MERK: Dette utstyret har blitt testet og samsvarer med begrensningene til en Klasse A digital-enhet, som følger Del 15 av regelasjonene til FCC. Disse begrensningene er utviklet for å gi rimelig beskyttelse mot skadelig interferens når utstyret brukes i et kommersielt miljø. Dette utstyret generer, bruker og kan utstråle radiofrekvensenergi og, hvis ikke installer og brukt I samsvar med instruksjonsmanualen, kan føre til skadelig interferens på radiokommunikasjoner. Operasjon av dette utstyret I et boligområde vil sannsynlig påføre skadelig interferens I hvilket tilfelle brukeren vil måtte erstatte skadene etter egen regning.

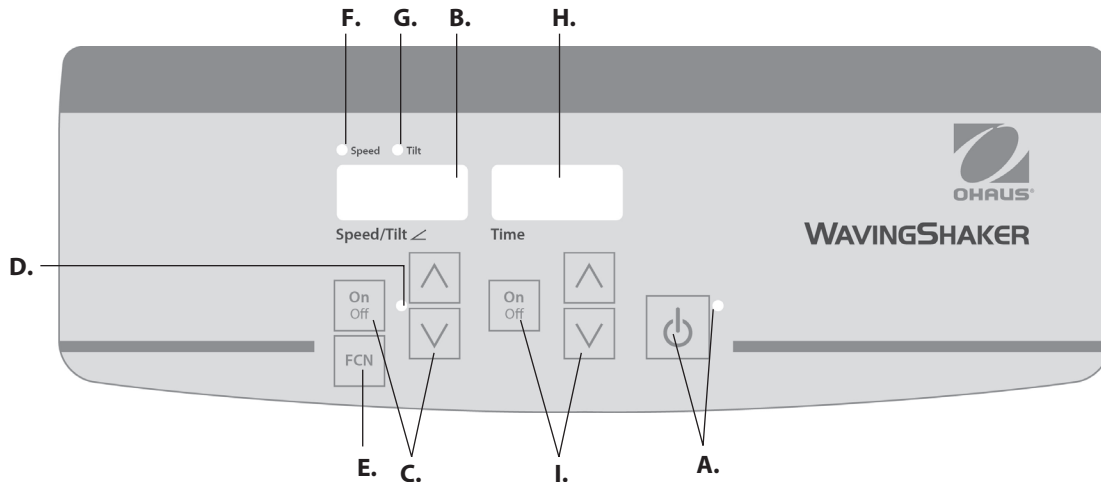
Endringer eller modifikasjoner ikke spesifikt tillatt av Ohaus Corporation kan annullere brukerens rett til å bruke utstyret.



## ANALOG PENDLENDE/WAVING SHAKER KONTROLLPANEL

Frontpanelet til Analog Pendleren inneholder alle kontroller og display nødvendig for bruk av enheten.





## DIGITAL PENDLENDE/WAVING SHAKER KONTROLLPANEL

Frontpanelet til Pendlende/Waving Shakeren inneholder alle kontroller og display nødvendig for bruk av enheten.

**A. Standby-knapp/standby-indikatorlys:** Indikatorlyset vil opplyses når enheten er koblet til. Enheten vil være i standby-modus. Trykk på standby-knappen for å aktivere fart/helningsvinkel og tidsfunksjoner. Indikatorlyset vil skrues av og fart/helningsvinkel displayet lyse opp. Trykk på standby-knappen igjen, og enheten vil nok engang være i standby-modus.

**B. Fart/helningsvinkel display:** Viser farten og helningsvinkelen til enheten. **C.** Piler opp/ned for innstillingspunkt. Av-/på-knapp starter/stopper pendle-/waving-funksjonen. **D.** Indikatorlyset for fart/helningsvinkel lyser opp når enheten pendler/waver.

**E. Funksjonsknapp:** Trykk for å velge funksjon: fart eller helning.

**F. Indikatorlys for hastighet:** Lyser opp når farten vises.

**G. Indikatorlys for helning:** Lyser opp når helningsvinkelen vises.

**H. Tidsdisplay:** Viser samlet tid (kontinuerlig-modus) eller hvor mye tid som er igjen (tidsbestemt-modus). Displayet spenner fra 0 til 9 999 minutter i ett-sekunds inkremer. Displayet indikerer minutter og sekunder frem til tidsuret når 99 minutter og 59 sekunder (99:59), det vil så automatisk vise minutter opp til 9 999.

**I.** Piler opp/ned for innstillingspunkt. Av-/på-knapp starter/stopper tidsfunksjonen

## FEILSØKING ANALOG PENDLER/WAVER

Dersom bevegelsen til brettet er obstruert eller enheten er mekanisk overlastet, vil enheten pip og forsøke å gjenopprette kontrollerte pendlesvingning. Hvis enheten ikke er i stand til å gjenopprette på egenhånd, koble fra strømledningen, reduser lasten, farten eller helningsvinkel og gjenta serie.

## FEILSØKING DIGITAL PENDLER/WAVER

Problem	Årsak	Løsning
E03	Mekanisk obstruksjon Stanset motor Ødelagt drivrem	E03-feil kan adresseres av bruker. Trykk på standby-knappen for å klarere denne feilen. Dersom E03-feilen vedvarer, sammen med skrape-, banke- eller slipelyder, r koble fra enheten og kontakt Ohaus-representativ for reparasjon.  I tilfelle feilaktig E03-feil, slik som at noen uheldigvis kom borti brettet mens enheten var i drift, vil enheten automatisk gå i horisontal «hjem» og omstarte. I tilfelle obstruksjon er etterlatt under brettet, vil enheten kontinuerlig omstarte, vil enheten forsøke å gå i horisontal-modus fire (4) ganger og så skru seg av, mens den viser en E03-feil. Denne feilen kan klareres av bruker ved å trykke på standby-knappen.
E04	Maks. last oversteget	E04-feilen kan adresseres av bruker. Trykk på standby-knappen for å klarere denne feilen. Forsikre deg om at lasten er innenfor spesifikasjonene for maksimum tillatt last før du omstarter enheten. Hvis E04-koden vedvarer, koble ut enheten og kontakt Ohaus-representativ for reparasjoner.



Brugsanvisning

Shaker, vuggende, SHRK04DG

Shaker, vuggende, 1-lags, SHRK07AL1

Shaker, vuggende, 2-lags, SHRK07AL1

Shaker, bølgende, SHWV02AL

Shaker, bølgende, SHWV02DG

EN - English	1
FR - Français	12
ES - Español	24
IT - Italiano	36
DE - Deutsch	48
PT - Português	60
NL - Nederlands	65
NO - Norsk	70
DA - Dansk	75
SV - Svenska	80
FI - Suomi	85
HU - Magyar	90
PL - Polski	95
CZ - Czech	100
KR - Korean	105
JP - Japanese	117



## SIKKERHEDSINSTRUKTIONER

æs hele brugsanvisningen inden du betjener den vuggende/bølgende Shaker.



**ADVARSEL! BRUG IKKE** den vuggende/bølgende Shaker i en farlig atmosfære eller med farlige materialer, som enheden ikke er beregnet til. Brugeren skal være opmærksom på, at udstyrets beskyttelse kan blive forringet, hvis det anvendes med tilbehør, som ikke leveres eller anbefales af producenten eller anvendes på en måde, som ikke er angivet af producenten.

Benyt altid enheden på en plan overflade for at opnå den bedste ydelse og maksimale sikkerhed.

**LØFT IKKE** enheden i bakken.



**BEMÆRK!** For at undgå elektrisk stød, skal strømmen til enheden afbrydes helt ved at fjerne strømledningen til enheden eller ved at tage stikket ud af stikkontakten i væggen. Afbryd enhedens strømforsyning forud for enhver vedligeholdelse og/eller servicering.

Spild skal fjernes omgående. Miljøfarligt spild skal renses op ved hjælp af godkendte laboratorieprocedurer. Spild af opløsningsmidler udgør en brandfare. Stop straks enheden, og **BRUG DEN IKKE** før end oprydningen er fuldstændig, og dampene er spredt (motordrevne børster kan fremkalde gnister og antænde brændbare dampe).

**DET ER FORBUDT** at nedsænke enheden i væske ifm. rengøring.

**DET ER FORBUDT** at betjene enheden, hvis den viser tegn på elektriske eller mekaniske skader.

Den primære netledning, som leveres sammen med dette produkt, er normeret til sikkert at kunne forsyne produktets elektriske effekt under de angivne miljømæssige betingelser. **DET ER FORBUDT** at erstatte ledningen med en anden netledning, som ikke er normeret korrekt.







Jord - Terminal til beskyttende leder



Vekselstrøm

## STANDARDE OG FORORDNINGER

Overholdelse af følgende standarder og bestemmelser er angivet med det tilsvarende mærke på produktet.

Mærke	Standarder og forskrifter
	OHAUS Corporation erklærer at serierne af SHRK-, og SHWV-shakere er overensstemmelse med direktiverne 2011/65/EU, 2014/30/EU, 2014/35/EU og standarderne EN 50581, EN 61010-1, EN 61010-2-051, EN 61326-1. Den fulde ordlyd af EU-overensstemmelseserklæringen er tilgængelig på følgende internetadresse: <a href="http://www.ohaus.com/ce">www.ohaus.com/ce</a> .
	Dette produkt overholder direktiv 2012/19/EU. Bortskaf venligst dette produkt i henhold til lokale regler på det givne indsamlingspunkt, som er angivet for elektrisk og elektronisk udstyr. Se bortskaffelsesvejledningen for Europa på <a href="http://www.ohaus.com/weee">www.ohaus.com/weee</a> .
	EN 61326-1
	CAN/CSA C22.2 61010-1, CAN/CSA C22.2 61010-2-051 UL 61010-1, UL 61010-2-051

### Global information

Advarsel: Dette er et klasse A-produkt. I et husholdningsmiljø kan dette produkt medføre radiointerferens, hvorfor brugeren i så fald kan få behov for at træffe passende foranstaltninger.

### Canada, information

Dette digitale udstyr i klasse A overholder kravene i Canadian ICES-003.

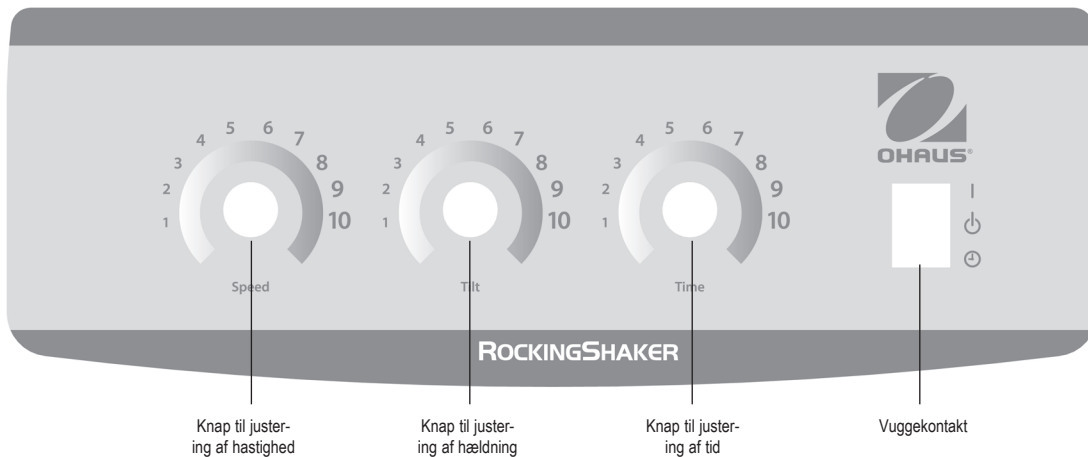
### FCC-information

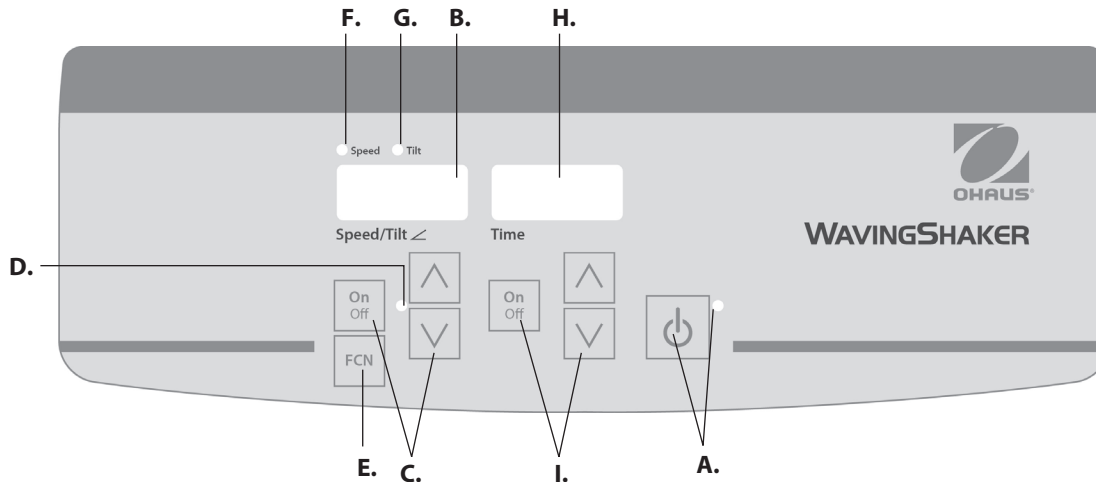
**BEMÆRK:** Dette udstyr er testet og har vist sig at overholde grænserne for en "klasse A" digital enhed, i henhold til pkt. 15 i FCC-reglerne. Disse grænser er designet for at yde rimelig beskyttelse mod skadelig interferens, når udstyret betjenes i kommercielle miljøer. Dette udstyr genererer, bruger, og kan udstråle radiofrekvensenergi, og hvis det ikke installeres og bruges i overensstemmelse med brugsanvisningen, kan det medføre skadelig interferens på radiokommunikationer. Driften af dette udstyr i et boligområde er tilbøjeligt til at forårsage skadelig interferens, i hvilket tilfælde brugeren vil være forpligtet til at fjerne interferensen for egen regning.

Ændringer eller modifikationer, der ikke udtrykkeligt er godkendt af Ohaus Corporation kan ugyldiggøre brugerens ret til at betjene udstyret.

## ANALOG VUGGENDE/BØLGENDE SHAKER, KONTROLPANEL

Frontpanelet på "Analog Rocker" indeholder alle de kontroller og skærme, som er nødvendige for at betjene enheden.





## DIGITAL VUGGENDE/BØLGENDE SHAKER, KONTROLPANEL

Frontpanelet på "Rocking/Waving Shaker" indeholder alle de kontroller og skærme, som er nødvendige for at betjene enheden.

**A. Standby-knap/standby-indikatorlampe:** Standby-indikatorlampen lyser, når enheden er tilsluttet. Enheden vil være i standbytilstand. Tryk på standby-knappen for at aktivere funktionerne for hastighed/hældningsvinkel og tid. Standbyindikatorens lampe slukkes og skærmen for hastighed/hældningsvinkel og visning af tid tændes. Tryk på standby-knappen igen, hvorefter enheden atter går i standbytilstand.

**B. Hastighed/hældningsvinkel, skærm:** Viser enhedens hastighed og hældningsvinkel. C. Op/ned-pile til betjening af setpunkt. Tænd/sluk-knappen starter/stopper vugge-/bølgefunktionen. D. Indikatorlampen for hastighed/hældningsvinkel tændes, når enheden vugger/bølger.

**E. Funktionsknap:** Tryk for at vælge den funktion, du vil indstille: hastighed eller hældning.

**F. Hastighed, indikatorlampe:** Lyser, når hastigheden vises.

**G. Hældning, indikatorlampe:** Lyser, når hældningsvinklen vises.

**H. Visning af tid:** Viser akkumuleret tid (kontinuerlig tilstand) eller hvor meget tid, der er tilbage (timet tilstand). Intervallet for visningen går fra 0 til 9.999 minutter i trin på ét (1) sekund. Skærmen angiver minutter og sekunder, indtil timeren når 99 minutter og 59 sekunder (99:59), hvorefter skærmen automatisk viser minutter op til 9.999.

**I. Op/ned-pile til betjening af setpunkt.** Tænd/sluk-knappen starter/stopper timerfunktionen.

## FEJLFINDING ANALOG ROCKER/WAVER

Hvis bakkens bevægelse blokeres eller enheden overbelastes mekanisk, vil enheden bippe, og forsøge at gendanne en kontrolleret vuggende bevægelse. Hvis enheden ikke kan gendanne dette på sin egen vis, skal man frakoble strømkablet, reducere indstillingen for belastning, hastighed eller hældning og gentage kørslen.

## FEJLFINDING DIGITAL ROCKER/WAVER

Problem	Årsag	Løsning
E03	Mekanisk obstruktion Motor defekt Drivrem defekt	E03-fejlen kan rettes af brugeren. Tryk på standby-knappen for at slette denne fejl. Hvis E03-fejlen fortsætter, tillige med skurrende, bankende eller gnidende lyde, skal du fjerne enheden og kontakte din Ohaus-repræsentant med henblik på reparation.  Hvis der opstår en E03-fejl, fx. ved at nogen uforvarende rører ved bakkens platform, mens enheden kører, vil enheden automatisk køre til den vandrette "hjem"-position og genstarte. I tilfælde af, at der findes en obstruktion under bakken, som kan få enheden til at genstarte løbende, vil enheden automatisk forsøge at køre til "hjem" og genstarte fire (4) gange. Derefter vil den stoppe driften helt og vise en E03-fejl. Denne fejl kan slettes af brugeren ved et tryk på standby-knappen.
E04	Maksimal belastning er overskredet	E04-fejlen kan rettes af brugeren. Tryk på standby-knappen for at slette denne fejl. Være sikker på, at belastningen er inden for den specificerede, maksimale belastning før enheden genstartes. Hvis E04-koden fortsætter, fjernes alle stik fra enheden og Ohaus repræsentant kontaktes med henblik på reparation.





Bruksanvisning

Shaker, Rocking, SHRK04DG

Shaker, Rocking, en Tier, SHRK07AL1

Shaker, Rocking, 2 Tier, SHRK07AL2

Shaker, Waving, SHWV02AL

Shaker, Waving, SHWV02DG

EN - English	1
FR - Français	12
ES - Español	24
IT - Italiano	36
DE - Deutsch	48
PT - Português	60
NL - Nederlands	65
NO - Norsk	70
DA - Dansk	75
SV - Svenska	80
FI - Suomi	85
HU - Magyar	90
PL - Polski	95
CZ - Czech	100
KR - Korean	105
JP - Japanese	117



## SÄKERHETSINSTRUKTIONER

Läs hela bruksanvisningen innan du använder Rocking/Waving Shaker.



**WARNING! ANVÄND INTE** Extreme Shaker i en farlig atmosfär eller med farligt gods som enheten inte designades för. Dessutom bör användaren vara medveten om att skyddet från utrustningen kan försämras om de används med tillbehör som inte tillhandahålls eller rekommenderas av tillverkaren, eller används på ett sätt som inte anges av tillverkaren.

Använd alltid enheten på en jämn yta för bästa prestanda och maximal säkerhet.

**LYFT INTE** enheten genom facket.



**FÖRSIKTIGHET!** För att undvika elektriska stötar, skär av strömmen till enheten fullständigt genom att koppla ur strömkabeln från enheten eller koppla ur vägguttaget. Koppla från enheten från strömförsörjningen före underhåll och service.

Spill bör tas bort omedelbart. Biohazard spill bör rensas upp med godkända laboratorierutiner. Lösningemedels spill är en brandrisk. Stoppa enheten omedelbart, och LÅT BLI att arbeta tills rengöringen är färdig och ångorna har försvunnit (motorborstarnas båge och kan antända brandfarliga ångor).

Doppa **INTE** enheten för rengöring.

**Använd INTE** enheten om den visar tecken på elektrisk- eller mekanisk skada.

Huvudsladden som är försedd med denna produkt har fått graderingen att på ett säkert sätt hantera produkters elektriska belastning under angivna miljöförhållanden. LÅT BLI att ersätta sladden med en otillräckligt graderad huvudsladd.







Jordgrundad - Skyddsledad terminal



Växelström

## STANDARDER & REGLER

Överensstämmelse med följande standarder och föreskrifter anges med motsvarande markering på produkten.

Markering	Standarder och föreskrifter
	OHAUS Corporation försäkrar att SHRK, SHVV serien shakers följer direktiven 2011/65/EU, 2014/30/EU, 2014/35/EU and standards EN 50581, EN 61010-1, EN 61010-2-051, EN 61326-1. Den fullständiga texten av EU-försäkran om överensstämmelse finns på följande Internetadress: <a href="http://www.ohaus.com/ce">www.ohaus.com/ce</a> .
	Denna produkt överensstämmer med direktiv 2012/19/EU. Kassera denna produkt i enlighet med lokala föreskrifter vid uppsamlingspunkten som anges för elektrisk- och elektronisk utrustning. För avyttringsinstruktioner i Europa hänvisas till <a href="http://www.ohaus.com/weee">www.ohaus.com/weee</a> .
	EN 61326-1
	CAN/CSA C22.2 61010-1, CAN/CSA C22.2 61010-2-051 UL 61010-1, UL 61010-2-051

Global medd.

Varning: Detta är en klass A-produkt. I hemmiljö kan denna produkt orsaka radio-störningar i vilket fall användaren kan behöva vidta lämpliga åtgärder.

Kanada medd.

Denna digitala klass [B]-apparat uppfyller kanadensiska ICES-003.

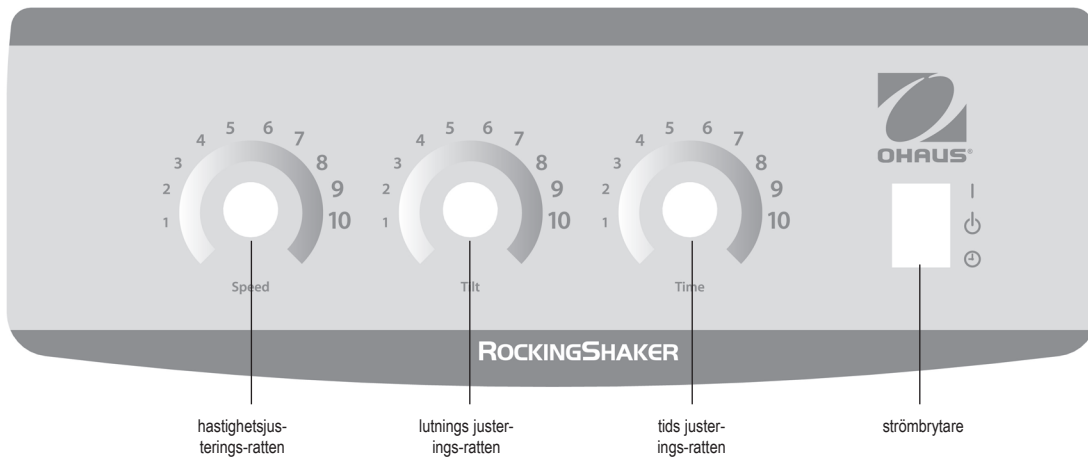
FCC medd.

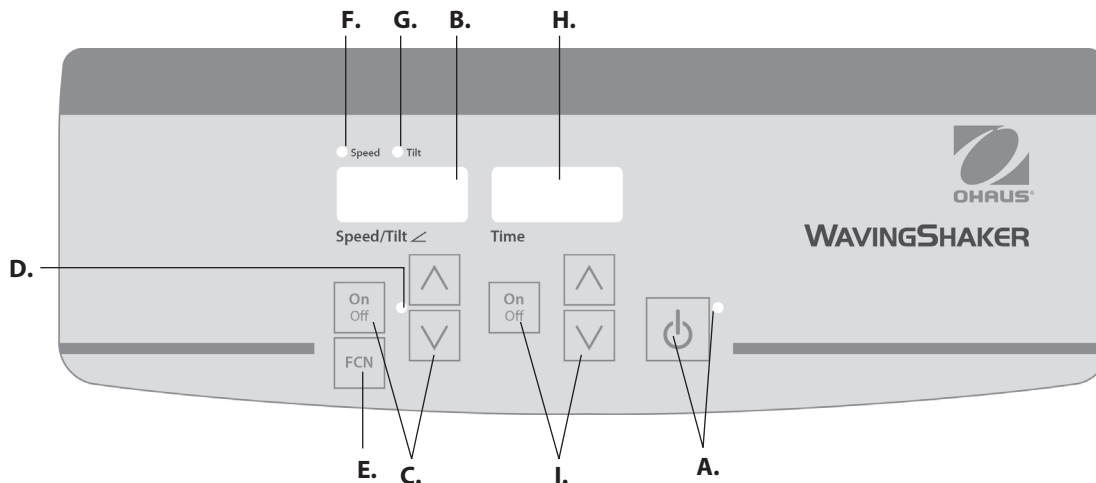
Denna utrustning har testats och befunnits uppfylla gränsvärdena för digital apparat av klass B, enligt del 15 i FCC-reglerna. Dessa gränser är utformade för att ge rimligt skydd mot skadliga störningar när utrustningen används i en kommersiell miljö. Denna utrustning genererar, använder och kan utstråla radiofrekvensenergi och om den inte installeras och används enligt instruktionerna, kan den orsaka skadliga störningar på radiokommunikation. Användning av denna utrustning i ett bostadsområde kommer sannolikt att orsaka störningar i vilket fall användaren kommer att krävas för att korrigera störningen på egen bekostnad.

Ändringar eller modifieringar som inte uttryckligen har godkänts av Ohaus Corporation kan upphäva användarens rätt att använda utrustningen.

## ANALOG ROCKING/WAVING SHAKER KONTROLLPANEL

Frontpanelen av Extreme Shaker innehåller alla kontroller och displayer som behövs för att driva enheten.





## DIGITAL ROCKING/WAVING SHAKER KONTROLLPANEL

Frontpanelen av Extreme Shaker innehåller alla kontroller och displayer som behövs för att driva enheten.

**A. Standby-knappen/standby indikatorlampa:** Standbyindikatorn tänds när enheten är ansluten. Enheten kommer att vara i standby-läge. Tryck på standby-knappen för att aktivera hastighets/lutnings-vinkel och tidsfunktionerna. Standbyindikatorns ljus stängs av och hastigheten/lutnings-vinkeln och tidsdisplayen tänds. Tryck på standby-knappen igen och enheten kommer återigen att vara i standby-läge.

**B. Hastighet/lutnings-vinkelns display:** Visar hastighet och lutningsvinkel av enheten D. Hastigheten/lutningsvinkelns indikatorlampa tänds när enheten rocking/waving.

**E. Funktionsknapp:** Tryck för att välja den funktion du ska ställa in: hastighet eller lutning.

**F. Hastighets indikatorlampa:** Tänds när hastigheten visas.

**G. Lutnings indikatorlampa:** Tänds när lutningens vinkel visas.

**H. Tidsvisning: Visar:** ackumulerad tid (kontinuerligt läge) eller hur mycket tid som återstår (tidsläge). Displayen sträcker sig från 0 till 9999 minuter i en (1) sekunds inkrement. Displayen visar minuter och sekunder tills timern når 99 minuter och 59 sekunder (99:59), därefter kommer displayen att automatiskt visa minuter upp till 9999.

**I. Upp/ner pilarna för punkt-inställningskontroll. På/av-knapp start/stopp av tidsfunktionen.**

## FELSÖKNING ANALOG ROCKER/WAVER

Om fackets rörelse hindras eller enheten mekaniskt överbelastas, kommer enheten att pipa och försöka återställa kontrollerad gungande rörelse. Om enheten inte kan återhämta sig på egen hand, dra ur kontakten, minska belastningen, hastighets- eller lutningsinställningen och upprepa körningen.

## FELSÖKNING DIGITAL ROCKER/WAVER

Problem	Orsak	Lösning
E03	Mekanisk obstruktion Upphörd motor Drivrem bruten	E03 felet kan åtgärdas av användaren. Tryck på standby-knappen för att ta bort felet. Om E03 felet kvarstår, tillsammans med finfördelning, knackning eller gnuggande ljud, från-anslut enheten och kontakta din Ohaus representant för reparation. I händelse av ett vandrande E03 fel, såsom att någon av misstag har vidrört plattformens fack medan enheten är igång, kommer enheten automatiskt gå till det horisontella "hem" och starta om. I händelse av ett hinder har kvarlämnats under brickan, vilket skulle leda till att enheten skulle starta om, kommer enheten att försöka nå auto-hem och starta om fyra (4) gånger, för att sedan sluta köra, och visa ett E03 fel. Felet kan raderas av användaren genom att trycka på standby-knappen.
E04	Maxlast har överskridits	E04 felet kan åtgärdas av användaren. Tryck på standby-knappen för att ta bort felet. Se till att belastningen är inom den maximala lastkapaciteten innan du startar om enheten. Om E04 koden kvarstår, från-anslut enheten och kontakta din Ohaus representant för reparation.



## Käyttöohje

Ravistin, keinuttava, SHRK04DG

Ravistin, keinuttava, 1 taso, SHRK07AL1

Ravistin, keinuttava, 2 tasoa, SHRK07AL2

Ravistin, heiluttava, HWV02AL

Ravistin, heiluttava, HWV02DG

EN - English	1
FR - Français	12
ES - Español	24
IT - Italiano	36
DE - Deutsch	48
PT - Português	60
NL - Nederlands	65
NO - Norsk	70
DA - Dansk	75
SV - Svenska	80
FI - Suomi	85
HU - Magyar	90
PL - Polski	95
CZ - Czech	100
KR - Korean	105
JP - Japanese	117

## TURVALLISUUSOHJEET

Lue koko ohjekirja ennen keinnuttavan tai heiluttavan ravistimen käyttämistä.



**VAROITUS! ÄLÄ** käytä keinnuttavaa tai heiluttavaa ravistinta vaarallisessa ympäristössä tai sellaisten vaarallisten materiaalien kanssa, jolle tätä laitetta ei ole suunniteltu. Käyttäjän on ymmärrettävä, että laitteiston tarjoama suojaus saattaa estyä, jos laitetta käytetään yhdessä muiden kuin valmistajan toimittamien tai suosittelemien tarvikkeiden kanssa tai valmistajan määrittämättömällä tavalla.

Jos haluat varmistaa laitteen parhaan suorituskyvyn ja turvallisuuden, käytä laitetta aina tasaisella pinnalla.

**ÄLÄ** nosta laitetta alustasta.



**HUOMIO!** Vältä sähköisku katkaisemalla laitteen virta täydellisesti irrottamalla sähköjohto laitteesta tai seinäpistokkeesta. Irrota laite virtalähteestä ennen kunnossapittoa ja huoltoa.

Vuodot tulee korjata nopeasti. Biologisen vaaran aiheuttavat vuodot täytyy puhdistaa käyttämällä hyväksytyjä laboratoriomenetelmiä. Liuotainaineiden vuodot aiheuttavat tulipalon vaaran. Pysäytä laite välittömästi **ÄLÄKÄ** käytä sitä ennen kuin se on puhdistettu ja höyryt ovat haihtuneet (moottorin hiiliharjat saattavat aiheuttaa valokaaren ja syyttää tulenarat höyryt). **ÄLÄ** upota laitetta puhdistuksen aikana.

**ÄLÄ** käytä laitetta, jos siinä näkyy sähkövaurioiden tai mekaanisten vaurioiden merkkejä.

Tämän laitteen mukana toimitettu verkkovirtajohto on tarkoitettu käsittelemään tuotteen sähköinen kuormitus ilmaistuissa ympäristöolosuhteissa. **ÄLÄ** vaihda tätä johtoa verkkovirtajohtoon, jonka luokitus on riittämättömän.







Maadoitus - suojajohtimen liitin

Vaihtovirta

## STANDARDIT JA MÄÄRÄYKSET

Seuraavien standardien ja määräysten noudattaminen on ilmaistu tuotteessa vastaavalla merkinnällä.

Merkki	Standardit ja määräykset
	OHAUS-yhtiö ilmoittaa, että SHRK- ja SHWV-sarjan ravistimet noudattavat direktiivejä: 2011/65/EU, 2014/30/EU, 2014/35/EU ja standardeja EN 50581, EN 61010-1, EN 61010-2-051, EN 61326-1. Täydellinen EU-vaatimustenmukaisuusvakuutus on saatavana seuraavasta Internet-osoitteesta: <a href="http://www.ohaus.com/ce">www.ohaus.com/ce</a> .
	Tämä tuote noudattaa 2012/19/EU-direktiiviä. Hävitä tämä tuote paikallisten sähkö- ja elektroniikkalaitteistojen keräykseen ja hävittämiseen liittyvien määräysten mukaisesti. Katso Euroopassa tapahtuvan hävittämisen ohjeet osoitteesta <a href="http://www.ohaus.com/weee">www.ohaus.com/weee</a> .
	EN 61326-1
	CAN/CSA C22.2 61010-1, CAN/CSA C22.2 61010-2-051 UL 61010-1, UL 61010-2-051

Maailmanlaajuinen ilmoitus

Varoitus: Tämä on A-luokan tuote. Kotitalouskäytössä tämä tuote voi aiheuttaa radiohäiriöitä, jolloin käyttäjän tulee suorittaa tarvittavat toimenpiteet.

Kanadaa koskeva ilmoitus

Tämä digitaalinen A-luokan laite täyttää Kanadan ICES-003-vaatimukset.

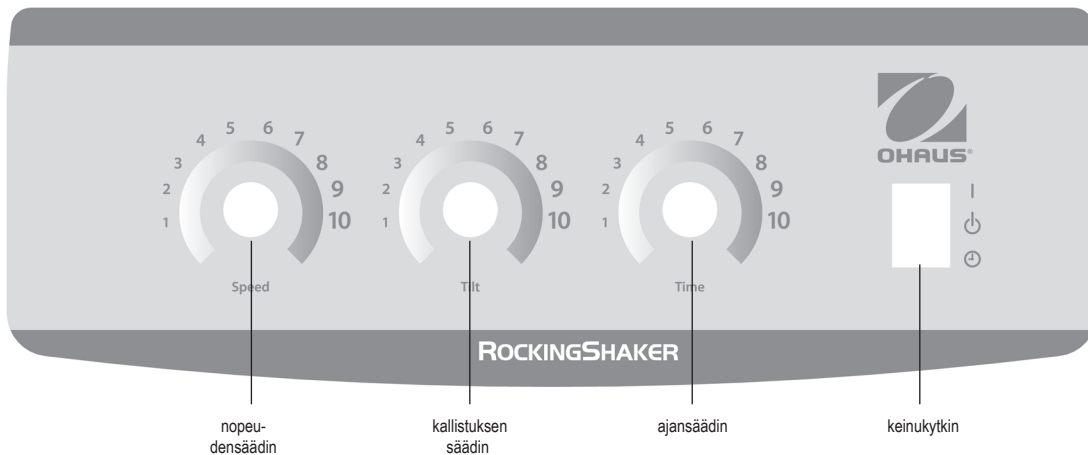
FCC-ilmoitus

HUOMAA: Tämä laite on testattu ja sen on todettu täyttävän A-luokan digitaalisen laitteen rajoitukset, FCC-sääntöjen osion 15 mukaisesti. Kyseiset rajoitukset on suunniteltu tarjoamaan kohtuullisen suojan häiriöitä vastaan, kun laitetta käytetään kaupallisessa ympäristössä. Tämä laite tuottaa, käyttää ja voi säteillä radiotaajuusenergiaa, ja jos laitetta ei asenneta ja käytetä käyttöohjeiden mukaan, se voi häiritä radioviestintää. Tämän laitteen käyttö asuinalueella aiheuttaa todennäköisesti häiriöitä, jolloin käyttäjä vastaa häiriön aiheuttamista vahingoista.

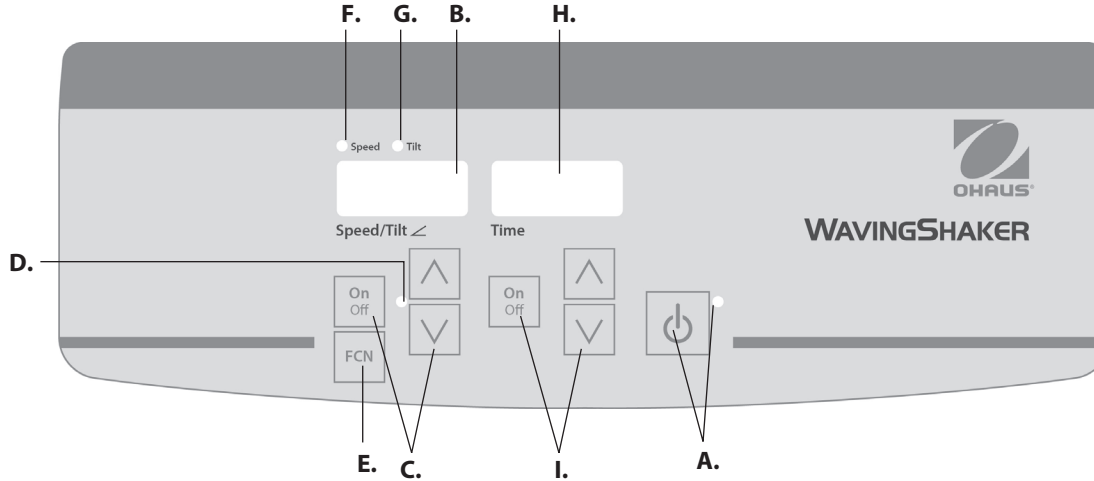
Ilman Ohaus-yhtiön nimenomaisesta hyväksyntää tehdyt vaihdot tai muutokset saattavat mitätöidä käyttäjän valtuudet laitteen käyttöön.

## ANALOGISEN KEINUTTAVAN TAI HEILUTTAVAN RAVISTIMEN OHJAUSPANEELI

Analogisen keinuttajan etupaneeli sisältää kaikki laitteen käyttämiseen vaadittavat ohjaimet ja näytöt.







## DIGITAALISEN KEINUTTAVAN TAI HEILUTTAVAN RAVISTIMEN OHJAUSPANEELI

Keinuttavan tai heiluttavan ravistimen etupaneeli sisältää kaikki laitteen käyttämiseen vaadittavat ohjaimet ja näytöt.

- A. Valmiustilan painike/valmiustilan merkkivalo:** Valmiustilan merkkivalo syttyy, kun laite kytketään. Yksikkö on tällöin valmiustilassa. Voit aktivoida nopeus-, kallistuskulma- ja aikatoiminnot painamalla valmiustilan painiketta. Valmiustilan merkkivalo sammuu ja nopeuden ja kallistuskulman näyttö sekä ajan näyttö syttyy. Kun painat valmiustilan painiketta uudelleen, yksikkö siirtyy jälleen valmiustilaan.
- B. Nopeuden ja kallistuskulman näyttö:** Näyttää laitteen nopeuden ja kallistuskulman.
- C. Ylös/alas-nuolet asetusarvon hallintaan. Päälle/pois-painike käynnistää tai pysäyttää keinutus- tai heilutustoiminnon. D. Nopeuden ja kallistuskulman merkkivalo syttyy, kun laite keinuttaa tai heiluttaa.**

**E. Toimintopainike:** Valitse asettamasi toiminto painamalla: nopeus tai kallistus.

**F. Nopeuden merkkivalo:** Syttyy, kun nopeus näytetään.

**G. Kallistuksen merkkivalo:** Syttyy, kun kallistuskulma näytetään.

**H. Ajan näyttö:** Näyttää kertyneen ajan (jatkuva tila) tai kuinka paljon aikaa on jäljellä (ajastettu tila). Näyttöalue on 0–9 999 minuuttia 1 sekunnin lisäyksin. Näyttö ilmaisee minuutit ja sekunnit, kunnes ajastin saavuttaa arvon 99 minuuttia ja 59 sekuntia (99:59). Tämän jälkeen ajastin näyttää automaattisesti minuutit arvoon 9 999 asti.

**I. Ylös/alas-nuolet asetusarvon hallintaan. Päälle/pois-painike käynnistää/pysäyttää ajastintoiminnon**

## ANALOGISEN KEINUTTAJAN/HEILUTTAJAN VIANETSINTÄ

Jos alustan liike estyy tai laite on mekaanisesti ylikuormitettu, laite toistaa äänimerkin ja yrittää palauttaa hallitun keinutusliikkeen. Jos laite ei pysty palauttamaan liikettä itse, irrota virtajohto, vähennä kuormaa, nopeutta tai kallistusasetusta ja aloita uudelleen.

## DIGITAALISEN KEINUTTAJAN/HEILUTTAJAN VIANETSINTÄ

Vika	Syy	Ratkaisu
E03	Mekaaninen este Juuttunut moottori Vetohihna rikki	Käyttäjä voi korjata E03-virheen. Voit tyhjentää tämän virheilmoituksen painamalla valmiustilapainiketta. Jos E03-virhe ja hiova, naputtava tai hankaava melu ei poistu, kytke laite irti, ja ota yhteyttä Ohaus-edustajaan korjauksen järjestämiseksi.  Jos E03-virhe ilmenee satunnaisesti, kuten siinä tapauksessa, että joku koskee tahattomasti alustaan laitteen ollessa käytössä, laite siirtyä automaattisesti aloitusasentoon vaakatasoon ja käynnistää liikkeen uudelleen. Jos alustan alla on este, joka aiheuttaa laitteen jatkuvan uudelleenkäynnistymisen, laite yrittää siirtyä automaattisesti aloitusasentoon ja käynnistää liikkeen uudelleen (4) kertaa. Tämän jälkeen laite pysähtyy ja näyttää E03-virheen. Käyttäjä voi tyhjentää tämän virheen painamalla valmiustilapainiketta.
E04	Enimmäiskuorma ylitetty	Käyttäjä voi korjata E04-virheen. Voit tyhjentää tämän virheilmoituksen painamalla valmiustilapainiketta. Varmista, että kuorma on enimmäiskuorman määrittystä vastaava ennen laitteen uudelleen käynnistämistä. Jos E04-virhe ei poistu, kytke laite irti, ja ota yhteyttä Ohaus-edustajaan korjauksen järjestämiseksi.



Használati útmutató

Rázógép SHRK04DG

Rázógép 1 soros, SHRK07AL1

Rázógép 2 soros, SHRK07AL2

Rázógép SHWV02AL

Rázógép SHWV02DG

EN - English	1
FR - Français	12
ES - Español	24
IT - Italiano	36
DE - Deutsch	48
PT - Português	60
NL - Nederlands	65
NO - Norsk	70
DA - Dansk	75
SV - Svenska	80
FI - Suomi	85
HU - Magyar	90
PL - Polski	95
CZ - Czech	100
KR - Korean	105
JP - Japanese	117



## BIZTONSÁGI ELŐÍRÁSOK

Kérjük, hogy a rázógép üzembe helyezése előtt olvassa végig a használati útmutatót.



**FIGYELMEZTETÉS! NE HASZNÁLJA** a rázógépet veszélyes légkörben, vagy olyan veszélyes anyagokkal, amelyekkel történő használatra nem tervezték az egységet. A felhasználónak úgyszintén tudatában kell lennie annak, hogy a készülék jóállása érvényét veszti, amennyiben nem a gyártó által adott, illetve ajánlott tartozékokkal, vagy nem a gyártó által meghatározott módon használja a készüléket.

Mindig egyenletes felületen üzemeltesse a készüléket a legjobb teljesítmény és a legteljesebb biztonság érdekében.

**NE EMELJE** a készüléket a tálcánál fogva.



**VIGYÁZAT!** Az áramütés elkerülése érdekében a tápkábel fali dugaljából való kihúzásával teljes mértékben áramtalanítsa a készüléket. A karbantartást, illetve szervizelést megelőzően csatlakoztassa le a készüléket az áramforrásról.

A kifróccsent részeket rögtön el kell távolítani. A biológiai veszélyt jelentő részeket laboratóriumi eljárások alkalmazásával kell feltakarítani. Az oldat-kifróccsenések tűzveszélyt jelentenek. Ilyen esetben azonnal állítsa le a készüléket, és mindaddig **NE HASZNÁLJA** a készüléket, amíg a takarítás nem fejeződött be, és a gőzök nem oszlottak szét (a motor áramszedői ívet húzhatnak és a gyúlékony gőzök meggyulladhatnak).

**NE MERÍTSE** vízbe a készüléket tisztítás céljából.

**NE HASZNÁLJA** a készüléket, ha elektromos, vagy mechanikai károsodás jeleit mutatja.

A termékkel szállított kábel besorolása szerint biztonságosan képes kezelni a készülék elektromos töltését a megadott környezeti feltételek között. **NE CSERÉLJE** ezt a kábelt nem megfelelő besorolású tápkábelre!







Földelés - Védővezeték csatlakozó

Váltakozó áram

## SZABVÁNYOK ÉS SZABÁLYOK

A következő szabványoknak és szabályoknak való megfelelés jelzése található a terméken.

Jel	Szabványok és szabályok
	Az OHAUS Corporation kijelenti, hogy az SHRK, SHWV szériájú rázógépek megfelelnek a 2011/65/EU, 2014/30/EU, 2014/35/EU irányelveknek, valamint az EN 50581, EN 61010-1, EN 61010-2-051, EN 61326-1 szabványoknak. Az EU-megfelelőségi nyilatkozat teljes szövegét a következő internetcímen találja: <a href="http://www.ohaus.com/ce">www.ohaus.com/ce</a> .
	Ez a termék megfelel a 2012/19/EU-irányelvnek. Kérjük, hogy a helyi előírásoknak megfelelően az elektromos és elektronikai hulladék begyűjtésére kijelölt gyűjtőponton adja le. Az európai ártalmatlanítási előírásokhoz lásd: <a href="http://www.ohaus.com/weee">www.ohaus.com/weee</a> .
	EN 61326-1
	CAN/CSA C22.2 61010-1, CAN/CSA C22.2 61010-2-051 UL 61010-1, UL 61010-2-051

Globális megjegyzés:

Figyelmeztetés: Ez egy A-osztályú termék. Háztartási környezetben ez a termék rádióinterferenciát okozhat, amely esetben a felhasználónak megfelelő intézkedéseket kell tennie.

Kanadai megjegyzés:

Ez az A-osztályú digitális készülék megfelel a kanadai ICES-003 szabványnak. ICES-003.

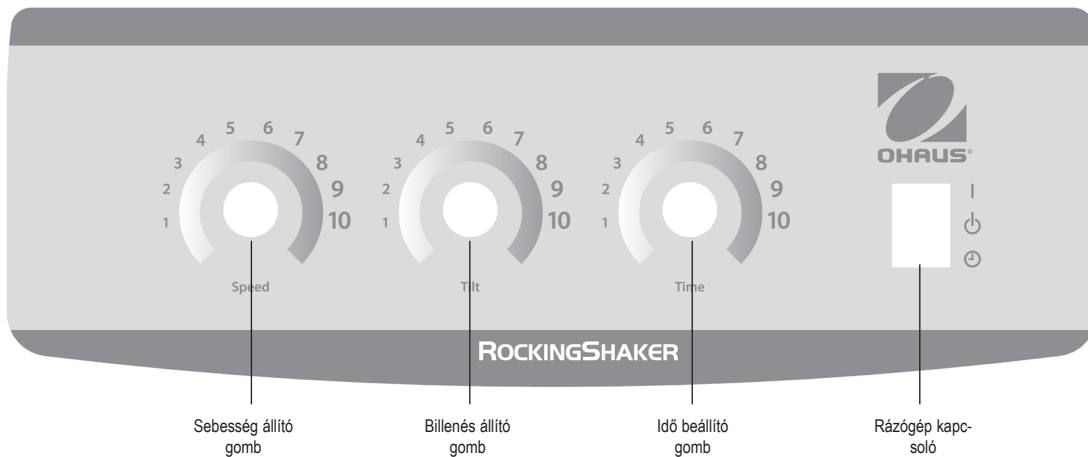
FCC megjegyzés

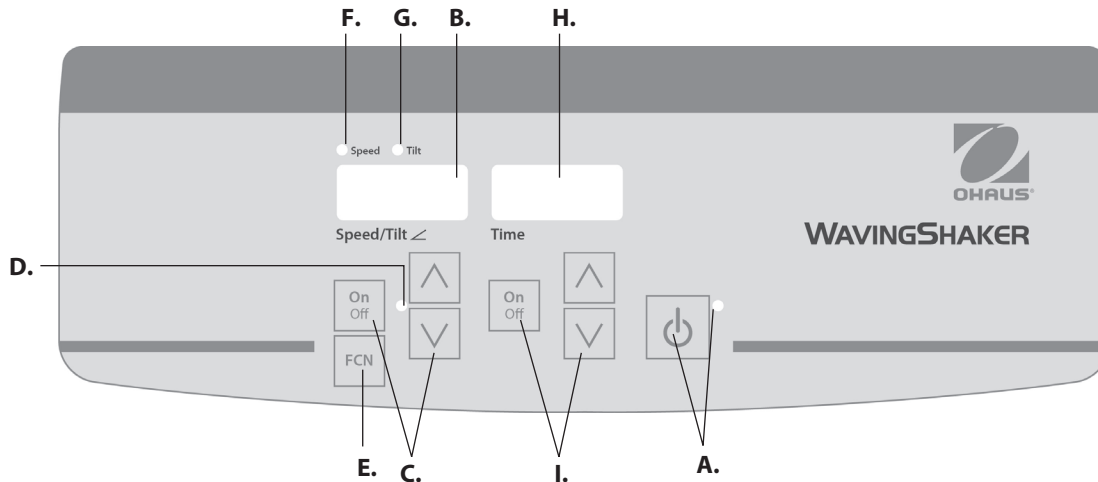
**MEGJEGYZÉS:** Ezt a készüléket tesztelték és megállapítást nyert, hogy megfelel az FCC 15. szakasza szerint az A-osztályú készülékekre meghatározott határértékeknek. Ezeket a határértékeket úgy határozták meg, hogy ésszerű védelmet nyújtsanak a káros interferenciával szemben a készülék kereskedelmi környezetben történő működtetése során. Ez a készülék rádiófrekvenciát generál, használ, valamint rádiófrekvenciás energia sugárzására képes, és amennyiben nem a használati útmutatónak megfelelően telepítik és használják, káros interferenciát okozhat a rádiókommunikációban. A készülék lakott területen valószínűleg káros interferenciát okoz, amely esetben a felhasználónak saját költségén kell megszüntetnie az interferenciát.

Az Ohaus Corporation kifejezett jóváhagyása nélküli cserék, illetve módosítások megfoszthatják a felhasználót a készülék üzemeltetésének jogától.

## RÁZÓGÉP ANALÓG VEZÉRLŐPANEL

Az analóg rázó gép előlő panele tartalmazza a készülék üzemeltetéséhez szükséges valamennyi vezérlőgombot és kijelzőt.





## DIGITÁLIS RÁZÓGÉP VEZÉRLŐPANEL

A rázó gép első panele tartalmazza a készülék üzemeltetéséhez szükséges valamennyi vezérlőgombot és kijelzőt.

**A. Készenléti gomb /készenléti állapotot jelző fény:** A készenléti állapotot jelző fény rögtön kigyullad, amint a készülék áram alá kerül. A készülék készenléti állapotban lesz. Kérjük, nyomja meg a készenléti gombot a sebesség/billenés szögének, valamint az időzítő funkciók aktiválásához. A készenléti állapotot jelző fény kialszik, majd kigyullad a sebesség/billenésszög, és az idő kijelzője. Nyomja meg újból a készenléti gombot és a készülék ismét készenléti állapotba kerül.

**B. Sebesség/billenésszög kijelző:** Megjeleníti a készülék sebességét és billenési szögét. **C.** A Fel/Le nyilak a pontbeállítók. A Be/Ki gomb indítja/leállítja a rázó funkciót. **D.** A sebesség/billenésszög jelzőlámpája világít, amíg a készülék ráz.

**E. Funkciógomb:** Nyomja meg annak a funkciónak a kiválasztásához, aminek a sebességét, vagy billenésszögét szeretné állítani.

**F. Sebesség jelző lámpa:** a sebesség kijelzésekor kigyullad.

**G. Billenés jelző lámpa:** a billenésszög kijelzésekor kigyullad.

**H. Idő kijelző:** Megjeleníti a felhalmozott időt (folyamatos üzemmód esetén), illetve, hogy mennyi idő van hátra (időzített üzemmód). A kijelző 0-tól 9.999 percre terjedő tartományban jelez egyesével növekedve. A kijelző percekben és másodpercekben jelzi az időt, amíg az idő eléri a 99 perc 59 másodpercet, (99:59), majd ezt követően a kijelző automatikusan mutatja a perceket egészen 9.999-ig.

**I.** A Fel/Le nyilak a pontvezérlők. A Be/Ki gomb indítja/leállítja az időzítőt.

## RÁZÓGÉP HIBAE LHÁRÍTÁS

Ha a tálca mozgása akadályozott, vagy a készülék mechanikusan túlterhelt, a készülék hangjelzést ad és megkísé rli helyreállítani a beállított rázó mozgást. Ha a készülék működése nem áll helyre magától, húzza ki a hálózatból a tápkábelt, csökkentse a terhet, a sebesség-, illetve billenésszög-beállítást, majd indítsa újra.

## DIGITÁLIS RÁZÓGÉP HIBAE LHÁRÍTÁS

Probléma	Ok	Megoldás
E03	Mechanikai akadály Lefulladt motor Elszakadt ékszíj	<p>Az E03 hibaüzenet a felhasználó által kezelhető. Nyomja meg a készenléti gombot a hibaüzenet törléséhez. Ha az E03 hibajelzés továbbra is fennáll a csikorgó, kopogó, vagy dörzsölő hangokkal együtt, húzza ki a készüléket a hálózatból és a javítás érdekében vegye fel a kapcsolatot az Ohaus képviselőjével.</p> <p>Egy téves E03 hibajelzés esetén, például ha valaki működés közben véletlenül megérinti a készülék tálcáját, a készülék automatikusan a horizontális kiinduló pozícióba áll, és újraindul. Amennyiben valamilyen akadály marad a tálca alatt, a készülék folyamatosan újraindul, a készülék négy (4) alkalommal próbál meg kiinduló helyzetbe állni és újraindulni, majd ezt követően E03 hibajelzést adva leáll. Ez a hibaüzenet a felhasználó által megszüntethető a készenléti gomb lenyomásával.</p>
E04	Maximális teher túllépése	<p>Az E04 hibaüzenet a felhasználó által kezelhető. Nyomja meg a készenléti gombot a hibaüzenet törléséhez. A készülék újraindítása előtt győződjön meg róla, hogy a teher a megadott maximum terhelést nem haladja meg. Ha az E04 kód továbbra is fennáll, húzza ki a készüléket a hálózatból és a javítás érdekében vegye fel a kapcsolatot az Ohaus képviselőjével.</p>



Instrukcja obsługi

Wytrż, wahadłowa, 1 warst, SHRK07AL1

Wytrż, wahadłowa, 2 wars, SHRK07AL2

Wytrżasarka, wahadłowa, SHRK04DG

Wytrżasarka, falująca, SHWV02AL

Wytrżasarka, falująca, SHWV02DG

EN - English	1
FR - Français	12
ES - Español	24
IT - Italiano	36
DE - Deutsch	48
PT - Português	60
NL - Nederlands	65
NO - Norsk	70
DA - Dansk	75
SV - Svenska	80
FI - Suomi	85
HU - Magyar	90
PL - Polski	95
CZ - Czech	100
KR - Korean	105
JP - Japanese	117





## INSTRUKCJA BEZPIECZEŃSTWA

Proszę przeczytać całą instrukcję obsługi przed przystąpieniem do użytkowania wytrząsarki wahadlowej/falującej.



**OSTRZEŻENIE! NIE** używać wytrząsarki wahadlowej/falującej w niebezpiecznych atmosferach lub z niebezpiecznymi materiałami, dla których jednostka nie jest przeznaczona. Użytkownik powinien zwrócić także uwagę, że zapewnianie przez sprzęt bezpieczeństwo może zostać osłabione w przypadku użytkowania z nie dostarczonymi lub nie zalecanymi przez producenta akcesoriami lub w inny sposób niż określony przez producenta.

Zawsze eksploatować jednostkę na równej powierzchni da najlepszej wydajności i maksymalnego bezpieczeństwa.

**NIE** podnosić jednostki za zasobnik.



**UWAGA!** W celu uniknięcia porażenia prądem elektrycznym całkowicie odłączyć zasilanie od jednostki poprzez odłączenie kabla zasilania od jednostki lub odłączenie od ściennego gniazdka elektrycznego. Odłączyć jednostkę od źródła zasilania przed przystąpieniem do konserwacji i serwisowania.

Plamy należy usuwać w prawidłowy sposób. Zagrożające biologicznie plamy usuwać zgodnie z zatwierdzonymi procedurami laboratoryjnymi. Zmywacze plam stwarzają zagrożenie pożarowe. Zatrzymać natychmiast jednostkę i **NIE** używać jej do całkowitego wyczyszczenia i zaniknięcia oparów (szczołki silnika mogą spowodować zapłon palnych oparów). **NIE** zanurzać jednostki w celu czyszczenia.

**NIE** eksploatować jednostki, jeżeli wykazuje ona oznaki uszkodzenia instalacji elektrycznej i mechanicznej.

Główny kabel zasilający dostarczony wraz z niniejszym produktem pozwala na bezpiecznie obchodzenie się z ładunkiem elektrycznym produkty w obecnych warunkach otoczenia. **NIE** zastępować kabla nieodpowiednim kablem zasilania głównego.







Uziemienie - Zacisk przewodu ochronnego



Prąd przemienny

## NORMY I PRZEPISY

Zgodność z następującymi normami i przepisami jest oznaczona za pomocą odpowiedniego symbolu umieszczonego na produkcie.

Symbol	Normy i przepisy
	Przedsiębiorstwo OHAUS zaświadcza, że wytrząsarki serii SHRK, SHWV są zgodne z dyrektywami 2011/65/UE 2014/30/UE, 2014/35/UE i normami EN 50581, EN 61010-1, EN 61010-2-051, EN 61326-1. Cały tekst deklaracji zgodności UE jest dostępny pod następującym adresem internetowym: <a href="http://www.ohaus.com/ce">www.ohaus.com/ce</a> .
	Produkt jest zgodny z dyrektywą 2012/19/UE Proszę utylizować niniejszy produkt zgodnie z miejscowymi przepisami w punktach przeznaczonych zbiórki sprzętu elektrycznego i elektronicznego. Instrukcje utylizacji w Europie znajdują się na stronie internetowej <a href="http://www.ohaus.com/weee">www.ohaus.com/weee</a> .
	EN 61326-1
	CAN/CSA C22.2 61010-1, CAN/CSA C22.2 61010-2-051 UL 61010-1, UL 61010-2-051

Uwaga ogólna

Ostrzeżenie: Jest to produkt klasy A. W otoczeniu gospodarstwa domowego niniejszy produkt może powodować zakłócenia fal radiowych, w przypadku którego użytkownik może zostać zobowiązany do dokonania odpowiednich pomiarów,

Uwaga dotycząca kanady

Niniejsza aparatura klasy A jest zgodna z kanadyjską normą ICES-0013.

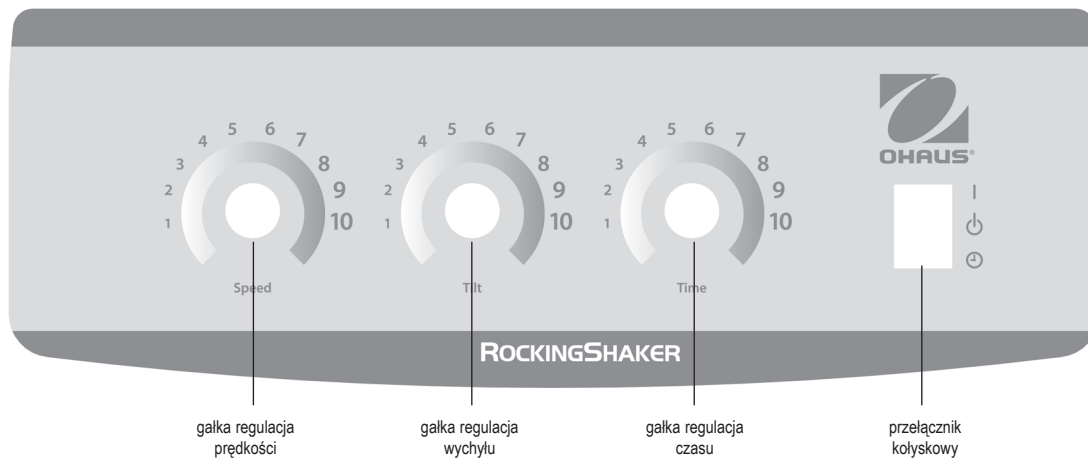
Uwaga FCC

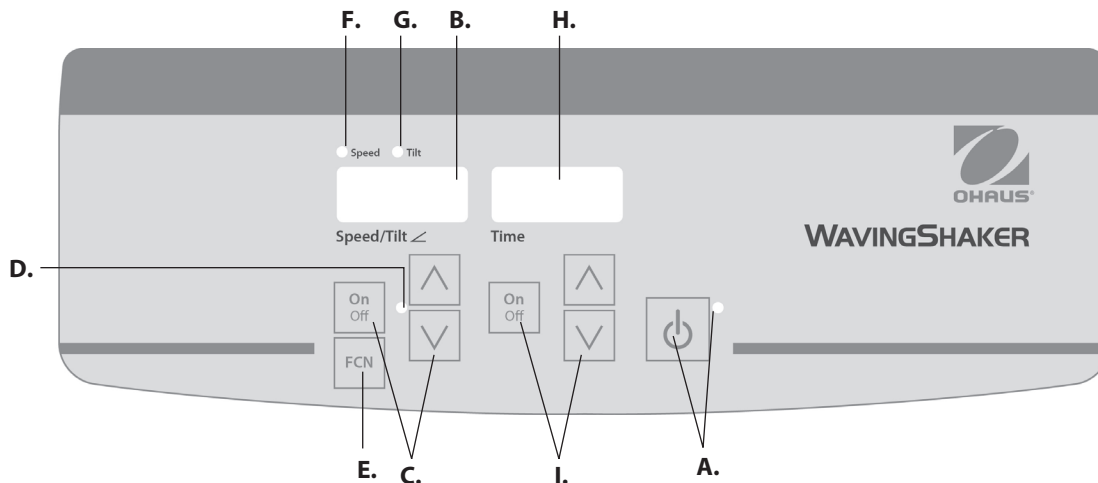
UWAGA: Niniejszy sprzęt został przetestowany i zaprojektowany w celu zapewnienia zgodności z ograniczeniami dla urządzeń cyfrowych klasy A, na mocy części 15 zasad FCC. Niniejsze ograniczenia zostały zaprojektowane w celu zapewnienia uzasadnionej ochrony przed szkodliwymi zakłóceniami, gdy sprzęt jest eksploatowany w środowisku handlowym. Sprzęt wytwarza, używa i może emitować fale radiowe i jeżeli nie jest zainstalowane i eksploatowane zgodnie z zaleceniami, może szkodliwie wpływać na komunikację radiową. Eksploatacja na terenie zamieszkałym może powodować szkodliwe zakłócenia, w którym o przypadku użytkownik jest zobowiązany do korekty zakłóceń we własnym zakresie.

Zmiany lub modyfikacje bez pisemnej zgody przedsiębiorstwa Ohaus może spowodować wygaśnięcie prawa użytkownika do eksploatacji sprzętu.

## ANALOGOWY PANEL STEROWANIA WYTRZĄSAREK WAHADŁOWYCH/FALUJĄCYCH

Przedni panel analogowej wytrząsarki wahadłowej zawiera wszystkie funkcje kontrolne i wyświetlacze niezbędne do eksploatacji jednostki.





## CYFROWY PANEL STEROWANIA WYTRZĄSARKI WAHADŁOWEJ/FALUJĄCEJ

Przedni panel wahadłowej/falującej wytrząsarki zawiera wszystkie funkcje kontrolne i wyświetlacze niezbędne do eksploatacji jednostki.

**A. Przycisk czuwania/wskaźnik świetlny czuwania:** Wskaźnik świetlny czuwania świeci, gdy jednostka zostaje podłączona. Jednostka znajduje się w trybie czuwania. Wcisnąc przycisk czuwania w celu uruchomienia funkcji prędkości/kąta wychyłu i czasu. Wskaźnik świetlny trybu czuwania gaśnie i wyświetlacz prędkości/kąta wychyłu i czasu jest podświetlony. Wcisnąc ponownie przycisk czuwania i jednostka ponownie znajdzie się w trybie czuwania.

**B. Wyświetlacz prędkości/kąta wychyłu:** Wyświetla prędkość i kąt wychyłu jednostki. C. strzałki góra/dół dla kontroli punktu nastawczego. Przycisk wł/wył uruchamia/zatrzymuje funkcję wachania/falowania. D. Wskaźnik świetlny prędkości/kąta wychyłu świeci, gdy jednostka wykonuje ruch wahadłowy/falujący.

**E. Klawisz funkcyjny:** Wcisnąc w celu wybrania ustawianej funkcji: prędkości lub wychyłu.

**F. Wskaźnik świetlny prędkości:** Świeci, gdy jest wyświetlana prędkość.

**G. Wskaźnik świetlny wychyłu:** Świeci, gdy jest wyświetlany kąt wychyłu.

**H. Wyświetlacz czasu:** Wyświetla skumulowany czas (tryb ciągły) lub ile pozostało czasu (tryb czasowy). Wyświetla zakres od 0 do 9 999 minut w jedno )1) sekundowych odcinkach. Wyświetlacz wskazuje minuty i sekundy, aż zegar osiągnie wartość 99 minut i 59 sekund (99:59), następnie wyświetlacz automatycznie wskazuje minuty do 9 999.

**I. Strzałki góra/dół dla ustawień punktu kontrolnego** Przycisk wł/wył uruchamia/zatrzymuje funkcję czasu.

## ROZWIĄZYWANIE PROBLEMÓW ANALOGOWEJ WYTRZĄSARKI WAHADŁOWEJ/FALUJĄCEJ

Jeżeli ruch zasobnika są zablokowana lub jednostka jest przeciążona, jednostka emituje sygnał dźwiękowy i próbuje przywrócić kontrolowany ruch wahadłowy. Jeżeli jednostka nie może powrócić do normy samodzielnie odłączyć kabel zasilania, zmniejszyć ładunek, prędkość lub ustawienia wychyłu i uruchomić ponownie.

## ROZWIĄZYWANIE PROBLEMÓW CYFROWEJ WYTRZĄSARKI WAHADŁOWEJ/FALUJĄCEJ

Problem	Przyczyna	Rozwiązanie
E03	Niedrożność mechaniczna Zablokowany silnik Zerwany pas napędowy	<p>Błąd E03 może zostać zlokalizowany przez użytkownika końcowego. Wcisnąć przycisk czuwania w celu usunięcia niniejszego błędu. Jeżeli błąd E03 utrzymuje się, wraz z szorowaniem i stukaniem lub odgłosem tarcia, odłączyć jednostkę i skontaktować się ze swoim przedstawicielem firmy Ohaus w celu naprawy.</p> <p>W przypadku rzekomego błędu E03, gdy ktoś przypadkowo dotknie zasobnik platformy podczas jej pracy, jednostka automatycznie przechodzi do poziomej pozycji "wyjściowej" i restartuje się. W przypadku zalegania blokady zasobnikiem, która powoduje ciągłe resetowania jednostki, jednostka próbuje automatycznie przejść do pozycji wyjściowej, restartuje cztery (4) razy i następnie zatrzymuje się wyświetla błąd E03. Niniejszy błąd może być usunięty przez użytkownika poprzez wciśnięcie przycisku czuwania.</p>
E04	Przekroczone maksymalne obciążenie	<p>Błąd E04 może zostać zlokalizowany przez użytkownika końcowego. Wcisnąć przycisk czuwania w celu usunięcia niniejszego błędu. Upewnić się, że obciążenie znajduje się w zakresie specyfikacji maksymalnego obciążenia. Jeżeli kod E04 się utrzymuje, odłączyć jednostkę i skontaktować się ze swoim przedstawicielem firmy Ohaus w celu naprawy.</p>



Návod k obsluze

Třepačka, kolébací, SHRK04DG

Třepačka, kolébací, 1 sloupec, SHRK07AL1

Třepačka, kolébací, 2 sloupec, SHRK07AL2

Třepačka, vlnící se, SHWV02AL

Třepačka, vlnící se, SHWV02DG

EN - English	1
FR - Français	12
ES - Español	24
IT - Italiano	36
DE - Deutsch	48
PT - Português	60
NL - Nederlands	65
NO - Norsk	70
DA - Dansk	75
SV - Svenska	80
FI - Suomi	85
HU - Magyar	90
PL - Polski	95
CZ - Czech	100
KR - Korean	105
JP - Japanese	117



## BEZPEČNOSTNÍ PKYNY

Před použitím kolébací/vlnicí se třepačky si přečtěte celý návod k obsluze, prosím.  
Třepačka.



**VAROVÁNÍ! NEPOUŽÍVEJTE** kolébací/vlnicí se třepačku v nebezpečné atmosféře nebo s nebezpečnými materiály, pro které nebylo zařízení navrženo. Uživatel si musí být rovněž vědom toho, že ochrana poskytovaná zařízením může být narušena v případě použití s příslušenstvím nedodaným nebo nedoporučeným výrobcem nebo v případě použití způsobem, který nebyl výrobcem specifikován.

Zařízení vždy používejte na rovném povrchu, abyste zajistili co nejlepší výkonnost a maximální bezpečnost.

Zařízení nezdvíhejte za zásobník.



**UPOZORNĚNÍ!** Abyste předešli úrazu elektrickým proudem, napájení zařízení přerušete odpojením napájecího kabelu ze zástrčky. Zařízení od napájení odpojte ještě, než provedete údržbu a servis.

Rozlitou kapalinu je třeba okamžitě odstranit. Rozlitou kapalinu je třeba vyčistit s využitím schválených laboratorních postupů. Rozliti rozpouštědla může způsobit požár. Zařízení okamžitě zastavte, a **NESPOUŠTĚJTE**, dokud nedokončíte čištění a výparu se nerozptýlí (jiskry z motoru mohou způsobit vznícení hořlavých výparů).

Zařízení při čištění **NEPONOŘUJTE** do vody.

Zařízení **NEPOUŽÍVEJTE**, pokud prokazuje známky mechanického poškození. Napájecí kabel dodaný s tímto produktem je určený k bezpečné manipulaci s elektrickými produkty za uvedených podmínek. **NENAHRAZUJTE** tento napájecí kabel nedostačujícím napájecím kabelem.







Uzemnění – Ochranný terminál vodiče



Střídavý proud

## STANDARDSY A SMĚRNICE

Soulad s následující normami a směrnicemi je označen odpovídající značkou na produktu.

Značka	Standardsy a směrnice
	OHAUS Corporation prohlašuje, že série třepaček SHRK, SHWV splňuje směrnice 2011/65/EU, 2014/30/EU, 2014/35/EU a normy EN 50581, EN 61010-1, EN 61010-2-051, EN 61326-1. Úplný text směrnice EU o souladu je k dispozici na následující adrese: <a href="http://www.ohaus.com/ce">www.ohaus.com/ce</a> .
	Tento produkt je v souladu se zněním směrnice 2012/19/EU. Tento produkt zlikvidujte v souladu s místními předpisy na sběrném místě určeném pro sběr elektrického a elektronického zařízení. Pokyny k likvidaci v Evropě naleznete na <a href="http://www.ohaus.com/weee">www.ohaus.com/weee</a> .
	EN 61326-1
	CAN/CSA C22.2 61010-1, CAN/CSA C22.2 61010-2-051 UL 61010-1, UL 61010-2-051

Globální oznámení

Varování: Toto je výrobek třídy A. V domácím prostředí může tento produkt způsobovat rušení rádiových frekvencí, a v takovém případě je třeba použít odpovídající opatření.

Kanada - upozornění

Tento digitální přístroj třídy B je ve shodě s kanadskou vyhláškou ICES-003.

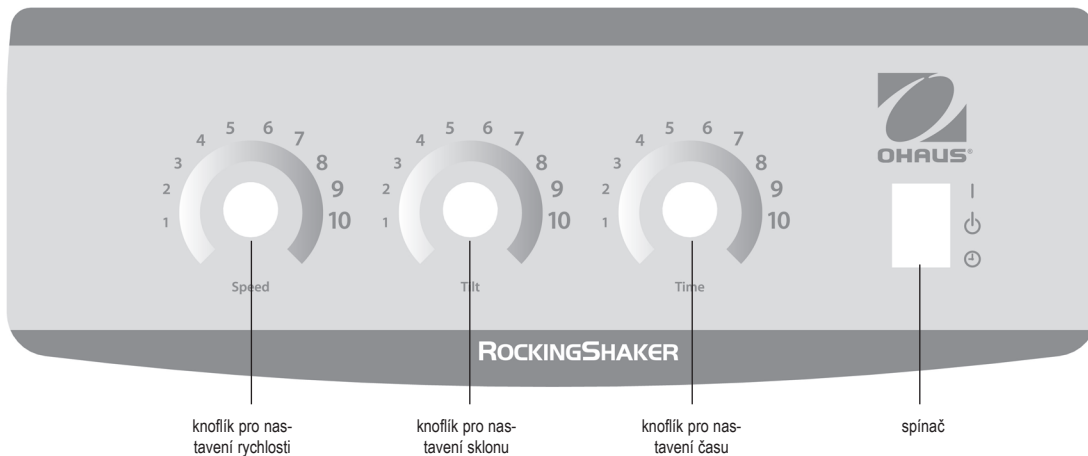
Oznámení FCC

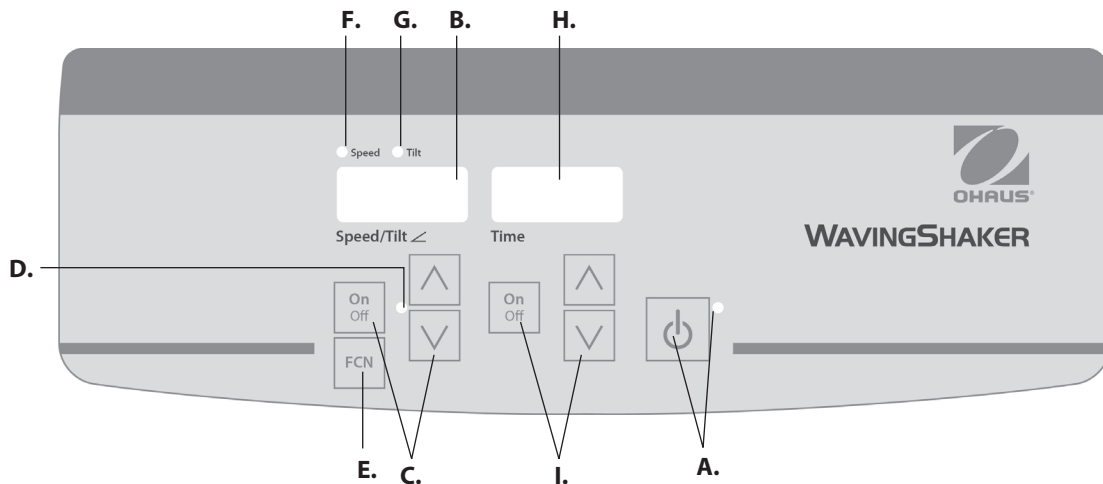
**POZNÁMKA:** Toto zařízení bylo testováno a vyhovuje limitům pro digitální zařízení třídy A, podle části 15 Pravidel FCC. Tato omezení poskytují přiměřenou ochranu před škodlivým rušením, je-li systém používán v komerčním prostředí. Tento systém vytváří, využívá a může vyzařovat energie na rádiových frekvencích a není-li nainstalováno a používáno v souladu s pokyny, může způsobit škodlivé rušení rádiových komunikací. Provoz tohoto zařízení v obytných oblastech může způsobit škodlivé interference, v takovém případě bude uživatel nucen opravit interference na své vlastní náklady.

Změny nebo úpravy tohoto zařízení, které nebyly výslovně schváleny stranou odpovídající za soulad, mohou vést ke ztrátě oprávnění uživatele k provozování zařízení.

## OVLÁDACÍ PANEĽ ANALOGOVÉ KÝVACÍ/VLNÍCÍ SE TŘEPAČKY

Přední panel třepačky obsahuje ovládací prvky a displeje nutné k provozu zařízení.





## OVLÁDACÍ PANEĽ DIGITÁLNÍ KÝVACÍ/VLNÍCÍ SE TŘEPAČKY

Přední panel kývací/vlnící se třepačky obsahuje ovládací prvky a displeje nutné k provozu zařízení.

**A. Tlačítko pohotovostního režimu/kontrolka pohotovostního režimu:** Kontrolka pohotovostního režimu se rozsvítí, jakmile dojde k zapojení zařízení. Zařízení bude v pohotovostním režimu. Stisknutím tlačítka pohotovostního režimu spustíte funkce rychlost/úhel sklonu a čas. Kontrolka pohotovostního režimu zhasne a rozsvítí se displej rychlosti/úhlu sklonu a času. Tlačítko pohotovostního režimu stiskněte znovu a zařízení se znovu spustí v pohotovostním režimu.

**B. Displej rychlosti/úhlu sklonu:** Zobrazí rychlost a úhel sklonu zařízení. C. Tlačítka nahoru/dolů k nastavení hodnoty. Tlačítko Zap./Vyp. spouští/zastavuje funkci kývání/vlnění. D. Kontrolka ukazatele rychlosti/úhlu sklonu se rozsvítí, pokud se zařízení třepe.

**E. Funkční tlačítko:** Stisknutím vyberte funkci, kterou chcete nastavit: rychlost nebo sklon.

**F. Kontrolka ukazatele rychlosti:** Rozsvítí se, když se zobrazí rychlost.

**G. Kontrolka sklonu:** Rozsvítí se, když se zobrazí úhel sklonu.

**H. Displej – Čas:** Zobrazí celkový čas (průběžný režim) nebo to, kolik času zbývá (načasovaný režim). Rozsah displeje je 0 až 9999 minut, v krocích po jedné (1) sekundě. Na displeji se zobrazí minuty a sekundy, dokud časovač nedosáhne 99 minů a 59 sekund (99:59), potom se na displeji zobrazí pouze minuty, až do 9999 minut.

**I. Tlačítka nahoru/dolů k nastavení hodnoty. Tlačítko Zap./Vyp. spouští/zastavuje funkci časovače.**



## ODSTRAŇOVÁNÍ PROBLÉM – ANALOGOVÁ KÝVACÍ/VLNÍCÍ SE TŘEPAČKA

V případě, že existuje překážka pohybu nebo je-li zařízení mechanicky přetíženo, zařízení zapípá a pokusí se obnovit kontrolovaný pohyb kývání. Pokud se zařízení nespustí, odpojte napájecí kabel, snižte zatížení, rychlost nebo nastavení sklonu a opakujte.

## ODSTRAŇOVÁNÍ PROBLÉM - DIGITÁLNÍ KÝVACÍ/VLNÍCÍ SE TŘEPAČKA

Problém	Příčina	Řešení
E03	Mechanická překážka Zastavený motor Rozbitý hnací pás	<p>Chybu E03 může vyřešit uživatel. Tuto chybu vymažte stisknutím tlačítka pohotovostního režimu. Pokud chyba E03 přetrvává, a ozývají se podivné zvuky, zařízení odpojte a kontaktujte zástupce Ohaus a požádejte ho o opravu.</p> <p>V případě chyby E03, kdy se někdo omylem dotkl platformy v době spuštění zařízení, zařízení automaticky přejde do horizontální „domácí“ polohy a restartuje se. V případě překážek pod zásobníkem, které způsobují průběžný restart zařízení, se zařízení pokusí provést restart čtyřikrát (4x), potom přestane fungovat a zobrazí chybu E03. Tuto chybu lze vymazat stisknutím tlačítka pohotovostního režimu.</p>
E04	Bylo překročeno maximální zatížení.	<p>Chybu E04 může vyřešit uživatel. Tuto chybu vymažte stisknutím tlačítka pohotovostního režimu. Než zařízení restartujete, ujistěte se, že zatížení je v rozmezí maximální kapacity zatížení. Pokud chyba E04, zařízení vypněte a o opravu požádejte zástupce Ohaus.</p>



사용 설명서

왕복식 진탕기, SHRK04DG

SHRK 왕복식 진탕기 1, SHRK07AL1

SHRK 왕복식 진탕기 2, SHRK07AL2

SHWV 회전식 진탕기 2kg, SHWV02AL

SHWV 회전식 진탕기 2kg, SHWV02DG

EN - English	1
FR - Français	12
ES - Español	24
IT - Italiano	36
DE - Deutsch	48
PT - Português	60
NL - Nederlands	65
NO - Norsk	70
DA - Dansk	75
SV - Svenska	80
FI - Suomi	85
HU - Magyar	90
PL - Polski	95
CZ - Czech	100
KR - Korean	105
JP - Japanese	117



목차

포장 내용물	106
서비스 정보	106
설치	107
유지 보수 및 서비스	107
용도	107
환경 조건	107
장비 폐기	107
안전 지침	108
표준 및 규정	108
아날로그 왕복식/회전식 진탕기 사양	109
아날로그 왕복식/회전식 진탕기 제어판	110
아날로그 왕복식/회전식 진탕기 사용 지침	110
디지털 왕복식 진탕기 사양	111
디지털 회전식 진탕기 사양	112
디지털 왕복식/회전식 진탕기 제어판	113
디지털 왕복식/회전식 진탕기 사용 지침	114-115
문제 해결	116

포장 내용물

- 왕복식 진탕기 1 등급 또는 왕복식 진탕기 2 등급 또는 회전식 진탕기 2kg 아날로그 또는 회전식 진탕기 2kg 디지털 미끄럼 방지 고무 매트
- 전원 코드
- 등급 키트 (아날로그 로커 2 등급)
- 사용 설명서
- 보증 카드

서비스 정보

문제 해결 섹션에서 해결되지 않거나 설명되지 않은 문제는 공인된 OHAUS 서비스 담당자에게 문의하십시오. 미국에서 서비스 또는 기술 지원을 받으려면 오전 8시부터 오후 5시까지 수신자 부담 번호 1-800-672-7722 및 내선 번호 7852로 전화하십시오. OHAUS의 제품 서비스 전문가가 지원을 제공할 것입니다. 미국 이외의 지역에서는 당사의 웹 사이트를 ([www.ohaus.com](http://www.ohaus.com)) 방문하여 가장 가까운 OHAUS 사무소를 찾으십시오.

일련 번호: \_\_\_\_\_  
 구입 일자: \_\_\_\_\_  
 공급 업체: \_\_\_\_\_

## 설치

Ohaus 왕복식/회전식 진탕기를 수령하는 즉시 수송 중에 손상이 발생하지 않았는지 확인하십시오. 포장을 풀 때 운송 중에 발생한 모든 손상을 감지하는 것이 중요합니다. 그러한 손상을 발견하면 운송인에게 즉시 통보해야 합니다.

포장을 풀고 나서, 폭발성 증기가 없는 수평 작업대 또는 테이블에 왕복식/회전식 진탕기를 올려 놓으십시오. 장치를 놓은 표면이 장치에서 발생하는 일반적인 열을 견딜 수 있어야 합니다. 항상 장치를 튼튼한 작업대 위에 놓으십시오.

왕복식/회전식 진탕기에는 먼저 장치 후면의 IEC 커넥터에 삽입되고, 그런 다음 적절히 접지된 콘센트에 꽂을 수 있는 전원 코드가 공급됩니다. 120V 장치는 120V, 50/60 Hz 전원에 연결하고, 230V 장치는 230V, 50/60 Hz 전원에 연결합니다.

## 유지 보수 및 서비스

왕복식/회전식 진탕기는 오랫동안 고장이 없는 신뢰할 수 있는 서비스를 위해 제작되었습니다. 윤활유 주유 또는 기타 기술적인 사용자 유지 보수가 필요하지 않습니다. 그러나 적어도 3개월에 한 번은 다음을 수행해야 합니다:

- 장치의 플러그를 뽑으십시오.
- 바닥과 트레이에 쌓인 먼지를 제거하십시오.
- 접근 가능한 모든 품목이 제대로 조여졌는지 확인하십시오.

본 장치는 모든 전기 제품에 대한 일반적인 주의를 필요로 합니다. 젖게 하거나 가스에 불필요하게 노출시키지 마십시오. 유출물은 장치가 식은 후에 즉시 제거해야 합니다. 프런트 패널에는 플라스틱에 유해하거나 인화성이 있는 세제나 솔벤트를 사용하지 마십시오. 청소하기 전에 항상 장치의 전원이 차단되어 있는지 확인하십시오. 장치에 서비스가 필요한 경우에는 Ohaus 담당자에게 문의하십시오.

## 용도

왕복식/회전식 진탕기는 일반적인 실험실에서 사용하기 위한 것입니다.

## 환경 조건

사용 조건: 실내에서만 사용하십시오.

- \* CO2 환경, 인큐베이터 또는 냉장실에서 사용하십시오.
- \* 온도: -10 ~ 60°C (14 ~ 140°F)
- 습도: 최대 80% RH, 비 응축
- 고도: 해발 0 ~ 6,562 피트 (2000 M)

주 공급 전압: 변동은 공칭 공급 전압을 10 % 이상 초과하지 않아야 합니다.

사용하지 않을 시 보관:

- \* 온도: -20 ~ 65°C (-4 ~ 149°F)
- 습도: 최대 80% RH, 비 응축

IEC 664에 따른 설치 범주 II 및 오염 등급 2.

- \* 콜드 스타트 방지: 이 장치는 온도가 낮은 실내에 둔 후 시동하도록 설계되지 않았습니다. 장치를 실온 환경에서 냉장실로 가져와 운전하되, 작업이 완료되면 즉시 냉장실에서 장치를 꺼내십시오.

## 장비 폐기

이 장치는 분류되지 않은 폐기물로 처리해서는 안 됩니다. 수명이 다한 장치를 수거하고 재활용하기 위해 허가된 시설로 인도하여 올바르게 폐기하는 것은 사용자의 책임입니다. 사용자는 또한 생물학적, 화학적 및/또는 방사선 오염의 경우 장치의 오염을 제거하여 장치의 폐기 및 재활용과 관련된 인원의 건강을 위협으로부터 보호해야 할 책임이 있습니다.



장비 폐기물을 인도할 위치에 대한 자세한 내용은 이 장치를 처음 구입한 지역 대리점에 문의하십시오. 이렇게 함으로써 당신은 자연 및 환경 자원을 보존하고 인간의 건강을 보호하는 방식으로 장치를 재활용하는 것을 도울 수 있습니다.

## 안전 지침

왕복식/회전식 진탕기를 작동하기 전에 사용 설명서 전체를 읽으십시오.



경고! 위험한 환경이나 장치의 용도에 부합하지 않는 위험한 물질에 왕복식/회전식 진탕기를 사용하지 마십시오. 또한 제조업체가 제공하지 않았거나 권장하지 않은 액세서리와 함께 사용하거나 제조업체가 명시하지 않은 방식으로 사용하면 장치의 보호 기능이 손상될 수 있습니다.

최상의 성능과 최대한의 안전을 위해 항상 평평한 표면에서 장치를 작동하십시오.

트레이로 장치를 들어 올리지 마십시오.

주의! 전기 충격을 방지하려면 장치에서 전원 코드를 분리하거나 벽면 콘센트에서 플러그를 뽑아 장치의 전원을 완전히 차단하십시오. 유지 보수 및 서비스 전에 장치를 전원 공급 장치에서 분리하십시오.



유출물은 즉시 제거해야 합니다. 생물학적 유출물은 승인된 실험실 절차에 따라 청소해야 합니다. 솔벤트 유출은 화재 위험이 있습니다. 장치를 즉시 정지시키고 청소가 완료되고 증기가 소산될 때까지 (모터 브러시가 야크를 발생시키고 가연성 증기를 발생시킬 수 있음) 작동하지 마십시오. 청소를 위해 장치를 물에 담그지 마십시오.

전기적 또는 기계적 손상의 징후가 있는 경우 장치를 작동하지 마십시오.

이 제품과 함께 제공되는 주 전원 공급 장치는 명시된 환경 조건 하에서 제품의 전기적 부하를 안전하게 처리 할 수 있도록 설정되어 있습니다. 해당 코드를 부적절하게 설정된 주 전원 코드로 교체하지 마십시오.







접지 - 보호 컨덕터 단자



교류

## 표준 및 규정

다음의 표준 및 규정에 대한 준수는 제품의 해당 마크로 표시됩니다.

마크	표준 및 규정
	OHAUS는 SHRK, SHWV 시리즈 진탕기가 2011/65/EU, 2014/30/EU, 2014/35/EU 지침 및 EN 50581, EN 61010-1, EN61010-2-051, EN 61326-1 표준을 준수한다고 선언합니다. EU 적합성 선언의 전체 본문은 다음 인터넷 주소에서 볼 수 있습니다: <a href="http://www.ohaus.com/ce">www.ohaus.com/ce</a> .
	이 제품은 2012/19/EU 지침을 준수합니다. 이 제품을 폐기할 경우에는 전기 및 전자 장치를 위해 지정된 수집 지점에서 지역 규정에 따라 폐기하십시오. 유럽 폐기 지침에 대한 자세한 내용은 <a href="http://www.ohaus.com/weee">www.ohaus.com/weee</a> 를 참조하십시오.
	EN 61326-1
	CAN/CSA C22.2 61010-1, CAN/CSA C22.2 61010-2-051 UL 61010-1, UL 61010-2-051

전세계 공지 사항

경고: 이 제품은 A등급 제품입니다. 이 제품은 국내 환경에서 무선 간섭을 유발할 수 있으며, 이 경우 사용자는 적절한 조치를 취해야 합니다.

캐나다 공지 사항

이 A 등급 디지털 장치는 캐나다 ICES-003을 준수합니다.

FCC 공지 사항

참고: 이 장치는 테스트를 통해, FCC 규정 제 15 조에 의거, A 등급 디지털 장치에 대한 제한을 준수하는 것으로 판명되었습니다. 이 제한은 상업적 환경에서 장치를 작동 할 때 유해한 간섭으로부터 합리적인 보호를 제공하는 것을 목적으로 합니다. 이 장치는 무선 주파수 에너지를 생성, 사용 및 방출 할 수 있으며 사용 설명서에 따라 설치 및 사용하지 않을 경우 무선 통신에 유해한 간섭을 유발할 수 있습니다. 주거 지역에서 이 장치를 작동하면 유해한 간섭이 발생할 가능성이 있으며, 이 경우 사용자는 자신의 부담으로 간섭을 해결해야 합니다. Ohaus가 명시적으로 승인하지 않은 변경이나 개조 시, 사용자의 장치 운전 권한이 무효화될 수 있습니다.

아날로그 왕복식/회전식 진탕기 사양



전체 치수 (L x W x H):

왕복식:	16.8 x 11.0 x 5.5"
	(42.5 x 27.9 x 14.0cm)
회전식:	16.8 x 11.0 x 6.5"
	(42.5 x 27.9 x 16.5cm)

플랫폼 치수 (L x W):

14 x 11" (35.5 x 27.9cm)

전기 (50/60 Hz):

왕복식:	120 볼트, 15 와트
	230 볼트, 15 와트
회전식:	120 볼트, 25 와트
	230 볼트, 25 와트

퓨즈:

5mm x 20mm, 5 amp 속도

속도 범위:

1 ~ 75rpm\*

경사각:

왕복식:	0 ~ 15°*
회전식:	0 ~ 16°*

최대 무게 용량:

왕복식:	16lbs (7.3kg)**
회전식:	5lbs (2.3kg)**

타이머:

1 ~ 120 분

제어 장치:

110 페이지 참조

선적 중량:

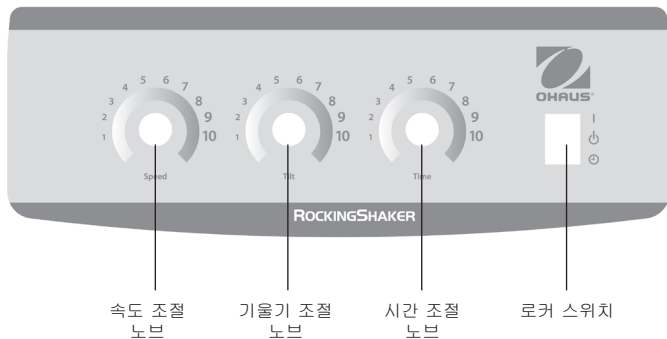
15.5lbs (7kg)

\* 최대 속도 / 경사각은 중량 또는 불균형 하중에 따라 달라질 수 있습니다.


\*\* 트레이의 중량.

## 아날로그 왕복식/회전식 진탕기 제어판

아날로그 로커의 전면 패널에는 기기 조작에 필요한 모든 제어 장치와 디스플레이가 포함되어 있습니다



## 아날로그 왕복식/회전식 진탕기 사용 지침

- 준비하기:
  - 로커 스위치는 대기 위치 중앙에 있어야 합니다.
  - 전원 코드를 올바르게 접지된 콘센트에 연결하십시오. 장치에 전원을 공급하기 전에 수동으로 트레이를 거의 수평인 "홈" 위치로 이동하십시오.
  - 속도와 기울기 노브를 다이얼의 2와 3 사이에 위치시킵니다.
  - 로커 스위치를 "I" On 위치에 놓으십시오. 로커는 자동으로 수평을 유지하고 적당한 속도와 기울기로 작동을 시작합니다.
- 속도 및 기울기 설정:
  - 속도와 기울기 노브를 돌려 원하는 설정 값을 얻으십시오.
- 시간 설정:
  - 가) 시한 모드로 작동하려면 타이머, 속도 및  기울기 노브를 원하는 설정으로 맞추십시오.
  - 나) 로커 스위치를 시간 위치로 내리고 손을 떼십시오.
  - 다) 장치가 이제 설정된 시간 동안 작동합니다.
  - 라) 시한 모드를 종료하려면, 로커 스위치를 올리고 중앙의 대기 위치로 되돌립니다.

주의: 타이머가 설정된 후에는 시간 조정이 적용되지 않습니다. 시간을 재설정하려면 시한 모드를 종료하고 (위의 3번째 단계 참조) 위의 단계에 따라 새로운 시간을 입력하십시오.

### 조작 요령:

샘플을 중심에 놓고 트레이에 무게를 고르게 분포시키면 균형과 안정성이 향상됩니다.



전체 치수 (L x W x H):	16.8 x 10.0 x 5.5" (42.5 x 25.4 x 140cm)	
플랫폼 치수 (L x W):	12.75 x 10" (32.4 x 25.4cm)	
전기 (50/60 Hz):	120 볼트:	25 와트
	230 볼트:	25 와트
퓨즈:	5mm x 20mm, 5 amp 속도	
속도 범위:	1 ~ 50rpm *	
속도 정확도:	±1rpm	
경사각:	0 ~ 15° *	
타이머:	1 초 ~ 9999 분	
	(1초 단위로 증가)	
최대 무게 용량:	10lbs (4.5kg) **	
제어 장치:	113 페이지 참조	
트레이 재질:	알루미늄	
선적 중량:	15.5lbs (7kg)	

\* 최대 속도 / 경사각은 중량 또는 불균형 하중에 따라 달라질 수 있습니다.  
\*\* 트레이의 중앙.

유리 및 플라스틱 제품이 있는 디지털 왕복식 진탕기



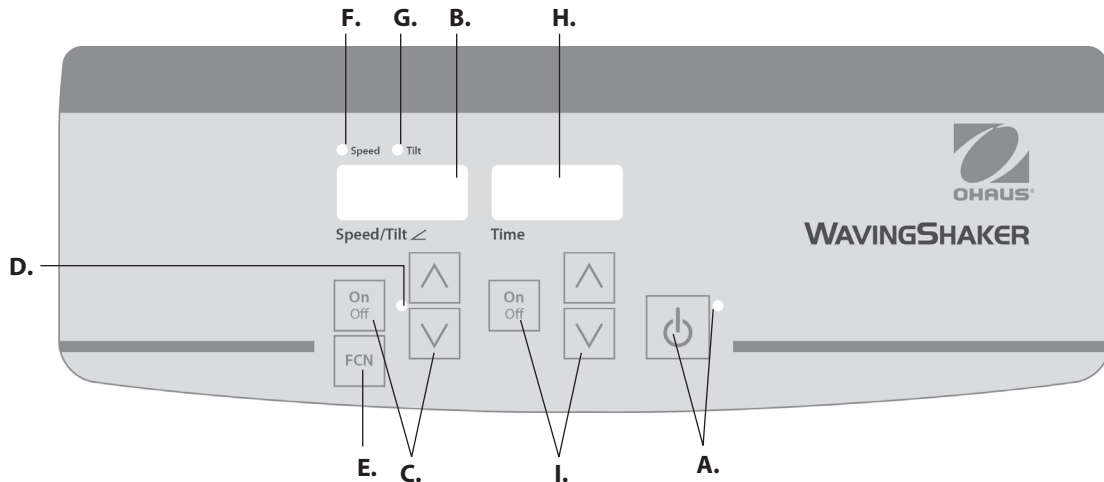
## 디지털 회전식 진탕기 사양



전체 치수 (L x W x H):	17 x 11 x 6" (43.2 x 27.9 x 15.2cm)
플랫폼 치수 (L x W):	11.75 x 8.75" (29.9 x 22.2cm)
전기 (50/60 Hz):	120 볼트: 25 와트 230 볼트: 25 와트
퓨즈:	5mm x 20mm, 5 amp 속도
속도 범위:	1 ~ 30rpm *
속도 정확도:	±1rpm
경사각:	0 ~ 20° *
타이머:	1 초 ~ 9999 분 (1초 단위로 증가)
최대 무게 용량:	5lbs (2.3kg) **
제어 장치:	113페이지 참조
트레이 재질:	알루미늄
선적 중량:	16lbs (7.3kg)

\* 최대 속도/경사각은 중량 또는 불균형 하중에 따라 달라질 수 있습니다.  
\*\* 트레이의 중앙.

Digital Waving Shaker



## 디지털 왕복식/회전식 진탕기 제어판

왕복식/회전식 진탕기의 전면 패널에는 장치를 조작하는 데 필요한 모든 조절 장치와 디스플레이가 있습니다.

가) 대기 버튼 / 대기 표시등: 장치가 전원에 연결되면 대기 표시등이 켜집니다. 장치는 대기 모드에 있게 됩니다. 대기 버튼을 눌러 속도/경사각 및 시간 기능을 활성화 하십시오. 그러면 대기 표시등이 꺼지고 속도/경사각 디스플레이와 시간 디스플레이가 켜집니다. 대기 버튼을 다시 누르면 장치가 다시 대기 모드로 전환됩니다.

나) 속도/경사각 디스플레이: 장치의 속도와 경사각을 표시합니다.

다) 설정 값 조절 용 Up/Down 화살표. On/Off 버튼은 왕복/회전 기능을 시작 / 중지합니다.

라) 장치가 왕복/회전하면 속도/경사각 표시등이 켜집니다

마) 기능 버튼: 설정하려는 기능(속도 또는 기울기)을 선택합니다

바) 속도 표시등: 속도가 표시될 때 켜집니다

사) 기울기 표시등: 경사각이 표시될 때 켜집니다

아) 시간 디스플레이: 누적된 시간 (연속 모드) 또는 남아있는 시간 (시한 모드) 을 표시합니다. 디스플레이 범위는 1 초 단위로 0에서 9,999 분까지입니다. 타이머가 99 분 59 초 (99:59)에 도달 할 때까지 디스플레이에 분과 초가 표시되고, 자동으로 9,999 분까지 표시됩니다

자) 설정 값 조절용 Up/Down 화살표. On/Off 버튼은 타이머 기능을 시작 / 정지합니다.

## 디지털 왕복식/회전식 진탕기 사용 지침

왕복/회전 진탕기는 속도/경사각 및 시간 기능이 서로 독립적으로 작동하도록 설계되어 있습니다. 속도/경사각은 타이머를 재설정하지 않고 재설정할 수 있으며, 왕복/회전 기능을 중단하지 않고 타이머를 정지/시작 할 수 있습니다.

### 1. 준비하기:

가) 전원 코드를 올바르게 접지된 콘센트에 연결하십시오. 대기 표시등이 켜지고 장치의 전원을 확인합니다. 장치에 전원을 공급하기 전에 수동으로 트레이를 거의 수평인 “흠” 위치로 이동하십시오.

나) 대기 버튼을 눌러 대기 모드로부터 장치를 이동하십시오. 대기 표시등이 꺼지고 속도/경사각 및 시간 디스플레이가 켜지면서 이전에 사용했던 설정이 표시됩니다..



2. 경사각 설정: 전자 틸트 기능을 사용하여 장비가 왕복 / 회전 또는 장치가 정지된 상태에서 트레이 이동 각도를 조정할 수 있습니다.

가) 경사 표시등이 표시될 때까지 속도/경사각 디스플레이 아래의 기능 버튼을 누릅니다. 이제 경사각을 설정할 준비가 되었습니다.

나) 원하는 각도에 도달할 때까지 속도/경사각 디스플레이 아래의 Up/Down 화살표를 누릅니다. 버튼에서 손을 떼면 디스플레이가 깜박이며 새로운 설정 각도가 적용되었음을 나타냅니다. 장비가 이전에 설정된 각도로 한 바퀴 완전히 회전한 다음에 새로 프로그래밍 된 각도로 부드럽게 변경됩니다. 새로운 경사각으로의 전환이 완료될 때까지 기울기 표시등이 깜박입니다.

### 3. 속도 설정:

가) 속도 표시등이 켜질 때까지 속도/경사각 디스플레이 아래의 기능 버튼을 누릅니다. 이제 속도를 설정할 준비가 되었습니다.

나) 원하는 속도에 도달할 때까지 속도/경사각 디스플레이 아래의 Up/Down 화살표를 누릅니다. 버튼에서 손을 떼면 디스플레이가 깜박이며 새로운 설정 속도가 적용되었음을 나타냅니다.

다) On/Off 버튼을 눌러 왕복/회전 기능을 시작하십시오. 속도/경사각 디스플레이 아래의 표시등이 켜지고 설정 값에 도달할 때까지 깜박입니다. 설정 값에 도달하면 표시등이 깜박임을 멈추고 왕복/회전이 멈출 때까지 켜집니다.

라) 왕복/회전 기능을 중지하려면 속도/ 경사각 디스플레이아래의 On/Off 버튼을 누릅니다. 장치가 한 바퀴 완전히 회전한 다음에 수평 “흠” 위치에서 정지합니다. 회전이 완료될 때까지 속도 표시등이 깜박입니다. 사이클이 완료되면 장치가 자동으로 대기 모드로 전환되고 대기 표시등이 켜집니다.

### 조작 요령

장치가 느린 속도 또는 높은 각도에서 작동하면, 경사각 또는 속도를 크게 변경하는데 몇 분이 걸릴 수 있습니다. 크게 변경하는 가장 빠른 방법은 장치를 멈추고 속도 또는 경사각을 변경한 다음 속도/경사각 디스플레이 아래의 On/Off 버튼을 눌러 다시 시작하는 것입니다.

4. . 제로 (0:00) 및 연속 모드로 시간 설정: 누적 시간.

가) 시간 디스플레이 아래의 On/Off 버튼을 누르고 계십시오. 3 초 후 디스플레이에 이전 설정 시간이 표시됩니다.

나) Up/Down 화살표를 동시에 누르면, 디스플레이에 제로(0:00)가 표시됩니다. 장치 시간은 이제 제로 (0:00) 분으로 설정됩니다. 또는 Up/Down 화살표를 사용하여 제로(0:00)로 이동할 수 있습니다.

다) 시간 디스플레이 아래의 On/Off 버튼을 누르면 디스플레이에 누적 시간이 표시됩니다. Up/Down 화살표가 비활성 상태가 됩니다. 타이머를 중지하려면 On/Off 버튼을 다시 누릅니다. 중요: 이 기능은 왕복/회전 기능을 중단하지 않습니다. 속도/경사각 디스플레이 아래에 있는 On/Off 버튼을 눌러 왕복/회전 기능을 중단하십시오.

라) 재설정하려면 시간 디스플레이 아래에 있는 On/Off 버튼을 누르고 계십시오. 3 초 후 디스플레이에 이전 설정 시간인 제로가 (0:00) 표시됩니다).

## 디지털 왕복식/회전식 진탕기 사용 지침 (계속)

### 5. 시간 모드 설정: 프로그래밍 된 시간.

- 가) 원하는 시간에 도달할 때까지 시간 디스플레이 아래에 있는 Up/Down 화살표를 누릅니다.
- 나) 시간 디스플레이 아래에 있는 On/Off 버튼을 눌러 이 기능을 시작하십시오. 선택된 시간 동안 장치가 작동하며, 타이머가 작동하는 동안 Up/Down 화살표가 비활성 상태가 됩니다. 시간 디스플레이가 제로 (0:00)에 도달하면 장치가 왕복/회전 기능을 중단합니다. 4 번의 경고음이 카운트 다운 기능이 완료되었음을 나타냅니다. 시간 디스플레이가 기본값으로 다시 설정됩니다. 같은 시간 동안 반복하려면 On/Off 버튼을 다시 누르십시오.
- 다) 자동 타이밍 주기가 완료되기 전에 이를 중단하려면 시간 디스플레이 아래의 On/Off 버튼을 누릅니다. 디스플레이가 깜박이면서 기능이 “정지” 상태에 있음을 나타냅니다. 중요: 이것은 왕복/회전 기능을 방해하지 않습니다. 왕복/회전 기능을 중단하려면 속도/경사각 디스플레이 아래의 On/Off 버튼을 누릅니다. 시간 디스플레이 아래의 On/Off 버튼을 눌러서 타이머를 다시 시작하십시오. 장치는 제로(0:00)까지 계속 카운트 다운 합니다. 디스플레이가 제로(0:00)에 도달하면 카운트 다운 기능이 완료되었음을 나타내는 4 번의 경고음이 울리고 왕복/회전 기능이 중지됩니다.

### 6. 장비 끄기:

- 가) 장치를 끄려면 대기 버튼을 누르십시오. 속도/경사각 및 시간 디스플레이가 공백으로 표시되며 대기 표시등이 켜집니다. 왕복/회전식 진탕기를 사용하지 않을 때에는 대기 모드에 유지해야 합니다. 장치의 전원을 완전히 차단하려면 장치에서 전원 코드를 분리하거나 벽면 콘센트에서 플러그를 뽑으십시오.

### 조작 요령

안전 기능으로서, 트레이가 왕복/회전하지 못하거나 권장 중량을 초과하여 장치에 과부하가 걸리면 내장 프로그램에 의해 모터의 전원이 차단됩니다. 진탕기는 전원 차단 후 자동으로 재기동합니다. 내장 메모리는 전원 차단 시 마지막으로 사용 된 속도/경사각 및 시간 설정을 유지합니다.

## 문제 해결 - 아날로그 왕복/회전식 진탕기

트레이 동작이 방해 받거나 장치가 기계적으로 과부하되면 장치에서 신호음이 울리고 제어된 진동 동작을 복원하려고 시도합니다. 장치가 스스로 복구할 수 없는 경우에는 전원 코드를 뽑고 부하, 속도 또는 경사 설정을 줄이고 반복 실행하십시오.

## 문제 해결 - 디지털 왕복/회전식 진탕기

문제	원인	해결책
E03	기계적 장애 모터 정지 구동 벨트 파손	E03 오류는 사용자가 해결할 수 있습니다. 이 오류를 제거하려면 대기 버튼을 누르십시오. 갈거나 두드리거나 마찰하는 소리와 함께 E03 오류가 지속되면 장치의 플러그를 뽑고 Ohaus 담당자에게 수리를 의뢰하십시오.  장치가 작동하는 중에 누군가 실수로 플랫폼 트레이를 만지는 등의 E03 오류가 발생하면 장치가 자동으로 수평 “휴” 위치로 돌아가 다시 시작됩니다. 트레이 아래에 방치된 장애물로 인하여 장치가 계속 재시작하는 경우, 장치는 자동 재가동을 시도하고 4 번 재시작한 다음 실행을 중지하고 E03 오류를 표시합니다. 이 오류는 사용자가 대기 버튼을 눌러 제거할 수 있습니다.
E04	최대 부하 초과	E04 오류는 사용자가 해결할 수 있습니다. 이 오류를 제거하려면 대기 버튼을 누르십시오. 장치를 재가동하기 전에 부하가 최대 부하 사양의 내에 있는지 확인하십시오. E04 코드가 계속되면 장치의 플러그를 뽑고 Ohaus 담당자에게 수리를 의뢰하십시오.



## 取扱「明書

SHRK ロッキング シェ「カ」 1ティア

SHRK ロッキング シェ「カ」 2ティア

SHWV ウィビング シェ「カ」 2kgアナログ

SHWV ウィビング シェ「カ」 2kgデジタル

EN - English	1
FR - Français	12
ES - Español	24
IT - Italiano	36
DE - Deutsch	48
PT - Português	60
NL - Nederlands	65
NO - Norsk	70
DA - Dansk	75
SV - Svenska	80
FI - Suomi	85
HU - Magyar	90
PL - Polski	95
CZ - Czech	100
KR - Korean	105
JP - Japanese	117

## 目次

梱包物 . . . . .	118
サービス情報 . . . . .	118
設置 . . . . .	119
メンテナンスおよび修理 . . . . .	119
意図された用途 . . . . .	119
環境要件 . . . . .	119
装置廃棄 . . . . .	119
Safety instructions . . . . .	120
Standards & regulations. . . . .	120
Analog Rocking/Waving Shaker Specifications . . . . .	121
Analog Rocking/Waving Shaker Control Panel . . . . .	122
Analog Rocking/Waving Shaker Operating Instructions . . . . .	122
Digital Rocking Shaker Specifications . . . . .	123
Digital Waving Shaker Specifications. . . . .	124
Digital Rocking/Waving Shaker Control Panel. . . . .	125
Digital Rocking/Waving Shaker Operating Instructions. . . . .	126-127
Troubleshooting . . . . .	128

## 梱包物

---

ロッキング シェーカー 1ティア、  
 ロッキング シェーカー 2ティア、  
 ウェイビング シェーカー 2kgアナログまたはウェイビング シェーカー 2kg  
 デジタル滑り止め付きゴム マット  
 電源コード  
 ティア キット (アナログ ロック2ティア)  
 操作説明書  
 保証書

## サービス情報

---

トラブルシューティング章の記載事項に「っても問題が解決しない場合や、  
 問題の「法が記載されていない場合は、お近くのOHAUS代理店にお問い  
 合わせください。米「外の場合、弊社のウェブサイトwww.ohaus.com に  
 アクセスし、お近くのOhaus「業所をご確認ください。

シリアルナンバー: \_\_\_\_\_  
 購入日: \_\_\_\_\_  
 サプライヤ: \_\_\_\_\_

## 設置

Ohausロッキング/ウェイビング シェカ<sub>1</sub> の受け取り時に、<sub>1</sub>送過程における損傷がないことを確認してください。<sub>1</sub>送過程に損傷があった場合、開封時にそれを見ることが重要です。損傷を見つけた場合は、ただちに運送業者に通知してください。

開封後、ロッキング/ウェイビング シェカ<sub>1</sub> を、爆<sub>1</sub>性蒸<sub>1</sub>の存在しない水平なベンチ、テ<sub>1</sub>ブルまたは場所に設置してください。装置を置く場所が、装置から出る熱に耐えられることを確認してください。装置は、必ず、頑丈な場所に設置してください。

ロッキング/ウェイビング シェカ<sub>1</sub> の付<sub>1</sub>電源コ<sub>1</sub>ドは、装置背面のIECコネクタに<sub>1</sub>入されています。このコ<sub>1</sub>ドは、適切に接地されたコンセントに接<sub>1</sub>できます。100V装置は、100V 50/60Hz電源に接<sub>1</sub>します。120V装置は、120V 50/60Hz電源に接<sub>1</sub>します。230V装置は、230V 50/60Hz電源に接<sub>1</sub>します。

## メンテナンスおよび修理

ロッキング/ウェイビング シェカ<sub>1</sub> は、長期に渡りトラブルフリ<sub>1</sub>の安定した性能を<sub>1</sub>揮するように製造されています。注油やユ<sub>1</sub>ザによるその他のメンテナンスは必要ありません。ただし、三ヶ月に一度以上の頻度で

- 装置を電源から外してください。
- ベ<sub>1</sub>スおよびトレイから、累積したゴミを取り除いてください。
- アクセス可能なすべての部品がしっかりと締結されていることを確認してください。

通常の電<sub>1</sub>機器に<sub>1</sub>する取扱いと同<sub>1</sub>にして本装置を取扱ってください。濡<sub>1</sub>したり、不必要に煙にさらしたりしないでください。液体がこぼれた場合は、速やかに取り除いてください。正面パネルにおいて、<sub>1</sub>磨<sub>1</sub>やプラスチックに<sub>1</sub>して腐食性または可燃性の洗<sub>1</sub>を使用しないでください。洗<sub>1</sub>を行う前に、装置の電源が切<sub>1</sub>されていることを必ず確認してください。装置の修理が必要な場合は、Ohausの代理店にお問い合わせください。

## 意<sub>1</sub>された用途

ロッカ/ウェイバは、一般的な<sub>1</sub>究所用途を意<sub>1</sub>しています。

## 環境<sub>1</sub>件

動作時<sub>1</sub>件：室<sub>1</sub>使用<sub>1</sub>用です。

- \* CO2環境、培養環境、冷<sub>1</sub>室用です。
- \* <sub>1</sub>度： -10 ~ 60°C (14 ~ 140°F)
- <sub>1</sub>度： 最大80%相<sub>1</sub>度、結露なきこと
- 高度： 海<sub>1</sub>0 ~ 6,562 ft (2000 m)

主電源電<sub>1</sub>：<sub>1</sub>動は、公<sub>1</sub>電源電<sub>1</sub>の10%以<sub>1</sub>です。

非動作時<sub>1</sub>件：

- \* <sub>1</sub>度： -20 ~ 65°C (-4 ~ 149°F)
- <sub>1</sub>度： 最大80%相<sub>1</sub>度、結露なきこと

設置カテゴリII、汚染度2、IEC 664準<sub>1</sub>

- \* 冷却<sub>1</sub>態で起動しないでください：装置は、冷却室環境<sub>1</sub>に置いた後に起動するようには設計されていません。室<sub>1</sub>度環境から装置を冷却室に運び、使用後、装置をただちに冷却室から出してください。

## 装置<sub>1</sub>棄

本装置を分類されていない<sub>1</sub>棄物と一<sub>1</sub>に<sub>1</sub>棄しないでください。ライフサイクルの終了時に、分離回<sub>1</sub>およびリサイクル用の公認施設に装置を渡し、適切な<sub>1</sub>棄を行うことはお客<sub>1</sub>の責任です。生物<sub>1</sub>的、化<sub>1</sub>的または放射性物質による汚染が装置に生じた場合は、装置の<sub>1</sub>棄およびリサイクルに<sub>1</sub>わる人物を健康被害から守るため、その汚染を取り除くことはお客<sub>1</sub>の責任です。



装置の<sub>1</sub>棄場所に<sub>1</sub>する詳細については、装置の購入先から現地のデ<sub>1</sub>ラにお問い合わせください。上記を行うことにより、自然および環境資源の保存に貢<sub>1</sub>でき、また、装置は人間の健康を守る方法でリサイクルされます。



## 安全に関する情報

ロックング/ウェイピング シェ「カ」を操作する前に、取扱「明書」をすべて「んでください



警告！装置の想定用途外の有害物質や有害霧「と」にロックング/ウェイピング シェ「カ」を使用しないでください。また、製造者が供給していないまたは推「して」いない付「品」を使用した場合、または、製造者が指定していない方法で装置を使用した場合、装置の保護の質が低下する恐れがあります。

装置の性能を最大に「揮し」、かつ最も安全に使用するため、必ず水平な場所で装置を使用してください。

トレイを「んで」装置を持ち上げないでください。



注意！感電を防ぐために、装置または壁面コンセントから電源ケ「ブル」を取り外し、装置と電源を完全に切「して」ください。メンテナンスおよび修理の前に、装置から電源を切「して」ください。

液体がこぼれた場合は、速やかに取り除いてください。バイオハザ「ド」物質がこぼれた場合は、承認された「究」所手順により取除いてください。溶液がこぼれると、火災の危「が」あります。装置をただちに停止し、クリ「ング」が完了し蒸「が」消えるまで（モ「タ」ブラシが動作し可燃性蒸「に」点火する可能性があります）、装置を使用しないでください。洗「時」、装置を液体に浸さないでください。

電「の」または機械的損傷の兆候を示している場合、装置を使用しないでください

本製品に付「の」主電源コ「ド」の定格は、記載された環境「件」において製品の電「の」負荷を安全に「理」するように定められています。

このコ「ド」を、不適切な定格の主電源コ「ド」と取り替えしないでください。







接地 - 保護コンダクタ「端」子



交流

## 規格および規制

以下の規格および規制に「する」準「が」、製品の「する」マ「ク」により示されています。

マ「ク」	規格および規制
	OHAUSは、SHRK、SHWVシリ「ズ」 シェ「カ」 が、指令2011/65/EU、2014/30/EU、2014/35/EUおよび規格EN 50581、EN 61010-1、EN 61010-2-051、EN 61326-1に準「して」いることを宣言します。61010-2-051、EN 61326-1に準「して」いることを宣言します。EU適合性宣言の完全版テキストは、以下のインタ「ネ」ット アドレスにおいて入手可能です。www.ohaus.com/ce.
	本製品は、指令2012/19/EUに準「して」います。電「子」機器用に指定された回「場」所において、現地の規制に「つ」って本装置を「棄」してください。州における「棄」情報については、www.ohaus.com/weeeを「照」しててください。
	EN 61326-1
	CAN/CSA C22.2 61010-1, CAN/CSA C22.2 61010-2-051 UL 61010-1, UL 61010-2-051

警告：本装置はクラスA製品です。家庭環境において、本製品は無線干「を」生じる恐れがあります。その場合、ユ「ザ」が適切な「を」を行う必要があります。

カナダにおける注意事項

本クラスAデジタル装置は、カナダICES-003に準「して」います。

FCC通知 注意： 本装置は、FCCル「ル」のバ「ト」15に「つ」ってテストされ、クラスAデジタル装置の制限に準「して」いることが確認されています。この制限は、商業環境において装置が使用された際に、有害干「に」して合理的な保護を提供する目的で設計されています。 本装置は、高周波エネルギーを使用および放射するため、取扱「明書」に「わ」ずしに設置および使用を行うと無線通信に有害な干「を」生じる恐れがあります。住居エリアにおける本装置の使用は有害な干「を」引き起こす可能性があります。その場合、ユ「ザ」は自身の負担により干「策」を講じる必要があります。

Ohaus Corporationにより明示的に承認されていない「更」や改造を行った場合、ユ「ザ」が本装置を使用する「限」は失「し」ます。

## アナログ ロッキング/ウェイビング シェ「カ」 仕「



全体寸法 (「行 × 幅 × 高さ) :

ロッカ: 42.5 × 27.9 × 14.0cm

ウェイバ: 42.5 × 27.9 × 16.5cm

プラットフォーム寸法 (「行 × 幅): 14 × 11" (35.5 × 27.9cm)

電「 (50/60 Hz): ロッカ: 120 volts, 15 watts  
230 volts, 15 watts

ウェイバ: 120 volts, 25 watts  
230 volts, 25 watts

フュ「ズ: 5mm × 20mm, 5 amp quick acting

速度範「: 1 to 75rpm\*

傾き角度: ロッカ: 0 to 15°\*

ウェイバ: 0 to 16°\*

重量容量: ロッカ: 16lbs (7.3kg)\*\*

ウェイバ: 5lbs (2.3kg)\*\*

タイマ: 1分 ~ 120分

操作: 122ペ「ジ「照

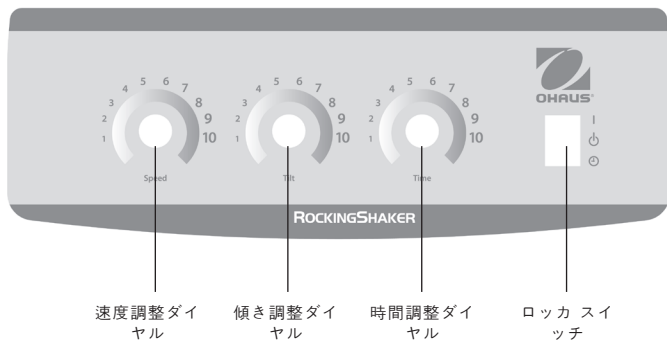
梱包重量: 7kg

\* 荷重が大きいまたは不均一な場合は、最大速度および傾き角度が「わる可能性があります。

\*\* トレイの中心。

## アナログ ロッキング/ウェイピング シェ「カ」 操作パネル

アナログ ロッカの正面パネルに、装置の使用に必要なすべての操作ボタンおよびディスプレイが含まれています。



## アナログ ロッキング/ウェイピング シェ「カ」 操作「明


### 1. はじめに:

- ロッカ スイッチを「ん中のスタンバイ位置に合わせます。
- 電源コ「ドを、適切に接地されたコンセントに接「します。装置の電源をオンにする前に、トレイを水平「ホ「ム」位置の近くまで手動で動かします。
- 速度および傾きダイヤルを、ダイヤルの2と3のあいだに合わせます。
- ロッカ スイッチを、「」オン位置まで押します。ロッカは自動的に水平になり、適度な速度および傾きで動作を開始します。

### 2. 速度および傾き設定:

- 速度および傾きダイヤルを回し、任意の設定にします。

### 3. 時間設定:

- 時間制限モードで「行するには、速度および  傾きダイヤルを任意の設定に合わせます。
- ロッカ スイッチを時間位置まで下に押してから離します。
- これで、装置は設定された時間だけ動作します。
- 時間制限モードを終了する場合は、ロッカ スイッチを上を押し、「ん中のスタンバイ位置に「します。

注意：タイマが設定された後は、一切の時間調整が無「になります。時間をリセットするには、時間制限モードを終了してから（上記のステップ3d「照）、上記のステップに「って新しい時間を入力します。

### 操作ヒント:

サンプルを中心に置き、トレイの重量が均等になるようにすることで、バランスおよび安定性が向上します。

## デジタル ロッキング シェカ 仕



全体寸法 (行 × 幅 × 高さ):	42.5 × 25.4 × 140cm	
トレイ寸法 (行 × 幅):	32.4 × 25.4cm	
電 (50/60 Hz):	120V:	25W
	230V:	25W
フーズ:	5mm × 20mm、5A急動	
速度範:	1 ~ 50rpm*	
速度精度:	±1rpm	
傾き角度:	0 ~ 15°*	
タイマ:	1秒 ~ 9999分 (1秒刻みで加)	
最大許容重量:	4.5kg **	
操作:	125ページ照	
トレイ材質:	アルミニウム	
梱包重量:	7kg	

\* 荷重が大きいかまたは不均一な場合は、最大速度および傾き角度が異なる可能性があります。

\*\* トレイの中心。

ガラス器具およびプラスチック器具付きデジタル ロッキング シェカ

## デジタル ウェイビング シェ「カ」 仕「

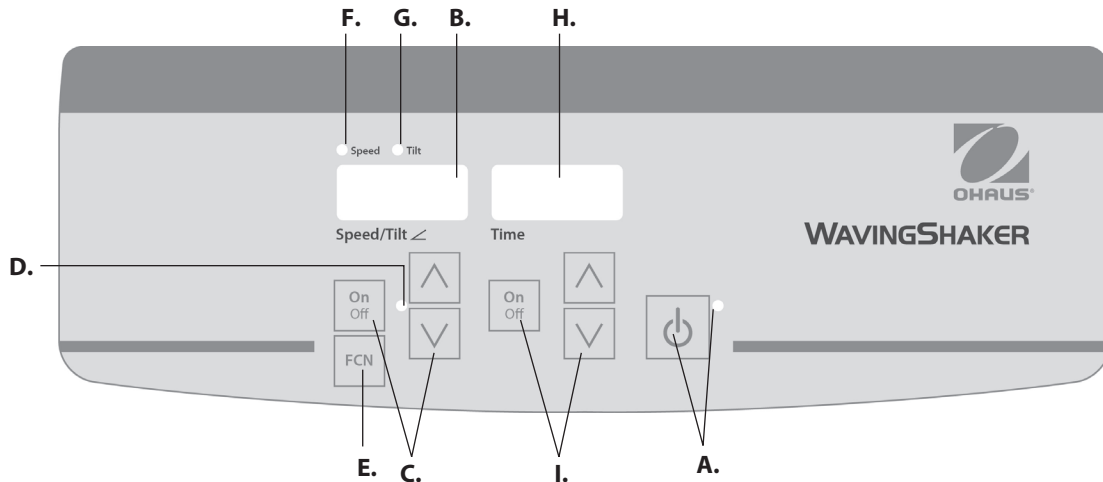


全体寸法 (「行 × 幅 × 高さ):	43.2 × 27.9 × 15.2cm	
トレイ寸法 (「行 × 幅):	29.9 × 22.2cm	
電「 (50/60 Hz):	120V:	25W
	230V:	25W
フュ「ズ:	5mm × 20mm、5A急動	
速度範「:	1 ~ 30rpm *	
速度精度:	±1rpm	
傾き角度:	0 ~ 20° *	
タイマ:	1秒 ~ 9999分 (1秒刻みで「加)	
最大許容重量:	2.3kg **	
操作:	125ペ「ジ「照	
トレイ材質:	アルミニウム	
梱包重量:	7.3kg	

\* 荷重が大きいまたは不均一な場合は、最大速度および傾き角度が「わる可能性があります。

\*\* トレイの中心。

ガラス器具付きデジタル ウェイビング シェ「カ」



## デジタル ロッキング/ウェイビング シェーカー 操作パネル

ロッキング/ウェイビング シェーカーの正面パネルに、装置の使用に必要なすべての操作ボタンおよびディスプレイが含まれています。

- A. スタンバイ ボタン/スタンバイ インジケータ ライト：装置が電源に接続された際にスタンバイ インジケータが点灯します。装置はスタンバイ モードです。スタンバイ ボタンを押すと、速度/傾き角度および時間機能が開始されます。スタンバイ インジケータ ライトが消え、速度/傾き角度および時間が点灯します。もう一度スタンバイ ボタンを押すと装置は再びスタンバイ モードになります。
- B. 速度/傾き角度ディスプレイ：装置の速度および傾き角度を表示します。 C. セットポイント制御用の上/下矢印キ。オン/オフ ボタンによりロッキング/ウェイビング機能を開始/停止します。 D. 装置のロッキング/ウェイビング時、速度/傾き角度インジケータ ライトが点灯します。

- E. 機能ボタン：設定する機能を選択します：速度または傾き。
- F. 速度インジケータ ライト：速度が表示されている場合に点灯します。
- G. 傾きインジケータ ライト：傾き角度が表示されている場合に点灯します。
- H. 時間ディスプレイ：累積時間（「モード」）または「リ時間（時間制限モード）を表示します。表示範囲は0～9999分の間で「減は1秒です。ディスプレイは、タイマが99分59秒（99:59）に到達するまで分と秒を表示し、その後、自動的に9,999まで分を表示します。
- I. セットポイント制御用の上/下矢印キ。オン/オフ ボタンによりタイマ機能を開始/停止します。

## デジタル ロッキング/ウェイビング シェ「カ」操作「明

ロッキング/ウェイビング シェ「カ」の速度/傾き角度および時間機能は、互いに「立して動作するように設計されています。タイマのリセットを行うことなく速度/傾き角度をリセット可能であり、ロッキング/ウェイビング機能を中「することなくタイマの停止および開始を行うことができます。

### 1. はじめに:

- a. 電源コードを、適切に接地されたコンセントに接「します。スタンバイ インジケ「タが点灯し、装置に電源が供給されていることが確認されます。装置の電源をオンにする前に、トレイを水平「ホ「ム」位置の近くまで手動で動かします。
- b. スタンバイ ボタンを押し、装置をスタンバイ モ「ドから「更「します。スタンバイ インジケ「タ ライトが消え、速度/傾き角度および時間ディスプレイが点灯し、前回の設定を表示します。



### 2. 傾き角度設定: 電子傾き制御により、装置がロッキング/ウェイビング中または停止中にも、トレイの動きの角度を調整可能です。

- a. 傾きインジケ「タ ライトが点灯するまで、速度/傾き角度ディスプレイの下の機能ボタンを押します。これで、傾き角度を設定する準備ができました。
- b. 任意の角度に到達するまで、時間ディスプレイの下にある上/下矢印キ「を押します。ボタンを離すと、ディスプレイはオフ/オンに点滅し、新しい設定角度が登「されたことを示します。装置は前回の設定角度で1度回「し、その後、新しくプログラムされた角度へスム「ズに移行します。新しい角度への移行が完了するまで、角度インジケ「タ ライトが点滅します。

### 3. 速度設定:

- a. 速度インジケ「タ ライトが点灯するまで、速度/傾き角度ディスプレイの下の機能ボタンを押します。これで、速度を設定する準備ができました。
- b. 任意の速度に到達するまで、速度/傾き角度ディスプレイの下にある上/下矢印キ「を押します。ボタンを離すと、ディスプレイはオフ/オンに点滅し、新しい設定速度が登「されたことを示します。

- c. オン/オフ ボタンを押して、ロッキング/ウェイビング機能を開始します。セットポイントに到達するまで、速度/傾き角度ディスプレイの下のインジケ「タ ライトが点灯および点滅します。セットポイントに到達すると、ライトの点滅が止まり、ロッキング/ウェイビングが止まるまで点灯を「けます。
- d. ロッキング/ウェイビング機能を停止するには、速度ディスプレイの下のオン/オフ ボタンを押します。装置は一度回「し、水平「ホ「ム」位置で止まります。回「が完了するまで、速度インジケ「タ ライトが点灯します。回「が完了すると、装置は自動的にスタンバイ モ「ドに移り、スタンバイ インジケ「タ ライトが点灯します。

### 操作ヒント

装置を「い速度や大きな角度で使用している場合、傾き角度や速度に大きな「更を加えると、「更が完了するまでに5分以上かかる可能性があります。大きな「更を加える場合に最も早い方法は、ユニットを停止し、速度または傾き角度の「更を加えてから、速度/傾き角度ディスプレイの下のオン/オフ ボタンを押して再開することです。

### 4. 時間のゼロ (0:00) 設定および連「モ「ド: 累積時間。

- a. 時間ディスプレイの下のオン/オフ ボタンを押「けます。3秒後、ディスプレイは前回の設定時間を表示します。
- b. 上および下矢印キ「を同時に押すと、ディスプレイはゼロ (0:00) を示します。これで、装置の時間がゼロ (0:00) 分に設定されました。別の方法として、上/下矢印キ「を使用してゼロ (0:00) に設定することもできます。
- c. 時間ディスプレイの下のオン/オフ ボタンを押します。ディスプレイは、累積時間を示します。上/下矢印キ「が無「になります。タイマを停止するには、オン/オフ ボタンをもう一度押します。重要: これによりロッキング/ウェイビング機能が中「されることはありません。ロッキング/ウェイビング機能を中「する場合は、速度/傾き角度ディスプレイの下のオン/オフ ボタンを押します。
- d. リセットする場合は、時間ディスプレイの下のオン/オフ ボタンを押「けます。3秒後ディスプレイは事前に設定された時間、つまりゼロ (0:00) を示します。

## デジタル ロッキング/ウェイビング シェ「カ」 操作「明」 CONT'D

5. 時間制限モード設定：プログラム「み」時間。
  - a. 任意の時間に到達するまで、時間ディスプレイの下にある上/下矢印キ「」を押します。
  - b. 時間ディスプレイの下のオン/オフ ボタンを押シ「け」、本機能を開始します。装置は、選「された時間だけ動作します。タイマが動作中、上/下矢印キ「」を無「になります。時間表示がゼロ (0:00) に到達すると装置はロッキング/ウェイビングを停止します。カウントダウンが完了すると、ビ「ブ音が4回鳴ります。時間ディスプレイは、設定時間に「ります。同じ時間だけ繰り返す場合は、オン/オフ ボタンをもう一度押します。
  - c. 自動タイミング サイクルの完了前に中「する場合は、時間ディスプレイの下のオン/オフ ボタンを押します。時間ディスプレイはオフおよびオンに点滅し、時間機能が「ホ「ルド」 「態であることを示します。重要：これによりロッキング/ウェイビング機能が中「されることはありません。ロッキング/ウェイビング機能の中「する場合は、速度/傾き角度ディスプレイの下のオン/オフ ボタンを押します。時間ディスプレイの下のオン/オフ ボタンを押シ「け、タイマを再開します。装置は、ゼロ (0:00) になるまでカウントダウンを「けます。ディスプレイがゼロ (0:00) に到達するとビ「ブ音が4回鳴り、カウントダウン機能の完了およびロッキング/ウェイビング機能の停止を知らせます。
6. 装置の電源オフ：
  - a. スタンバイ ボタンを押して、装置の電源をオフにします。速度/傾き角度および時間ディスプレイが点滅し、スタンバイ インジケ「タライトが点灯します。ロッキング/ウェイビング シェ「カ「を使用しない時は、スタンバイ モ「ドにしてください。装置または壁面コンセントから電源ケ「ブルを取り外し、装置と電源を完全に切「してください。

## 操作ヒント

ロッキング/ウェイビング時にトレイの回「が妨害された場合、または、装置の推「許容重量の超過があった場合、安全エラ「として「「プログラムは装置の電源をオフにします。

電源中「中、「「メモリは最後に使用された速度/傾き角度および時間設定を維持します。



## トラブルシューティング アナログ ロッカ/ウェイバ

トレイの動作が妨害されるか装置が機械的に荷重過多の場合、装置はビープ音を鳴らし、制御されたロッキング動作を復元しようとします。装置が自身で復元できない場合、電源コードを外してから、荷重、速度または傾き設定を減らし、再行してください。

## トラブルシューティング デジタル ロッカ/ウェイバ

問題	原因	対処法
E03	機械的障害物 モータ不良 駆動ベルト故障	<p>E03エラーは、ユザが対処可能です。このエラーをクリアするには、スタンバイ ボタンを押します。E03エラーが解決せず、きむような音がする場合は、装置をオフにし、修理についてOhaus代理店にお問い合わせください。</p> <p>装置の動作中に誰かがプラットフォーム トレイに付着してしまった場合など、E03エラーが誤って発生した場合、装置は自動的に水平「ホーム」位置に移り、再開します。トレイの下に障害物が付され、装置の再開が繰り返される場合、装置はホームへの自動移動および再開を4回試みた後に停止し、E03エラーを表示します。このエラーは、スタンバイ ボタンを押すことでユザがクリアできます。</p>
E04	最大荷重超過	<p>E04エラーは、ユザが対処可能です。このエラーをクリアするには、スタンバイ ボタンを押します。装置の使用を再開する前に、荷重が最大荷重仕様であることを確認してください。E04コードが解決しない場合、装置をオフにし、修理についてOhaus代理店にお問い合わせください。</p>



Ohaus Corporation  
7 Campus Drive  
Suite 310  
Parsippany, NJ 07054 USA  
Tel: (973) 377-9000  
Fax: (973) 944-7177

With offices worldwide.  
[www.ohaus.com](http://www.ohaus.com)



SAP P/N: 30391121  
P/N: 715302-00

© 2017 OHAUS Corporation, all rights reserved